

# Technical data sheet

## Product features



### Cooking range solid top gas 1x burner without cabinet

<b>Model</b>	<b>SAP Code</b>	00004686
--------------	-----------------	----------



- Device type: Gas unit
- Power consumption of the zone 1 [kW]: 5,5
- Ignition: Piezo
- Protection of controls: IPX5
- Material: AISI 304 top plate and cladding

<b>SAP Code</b>	00004686	<b>Power gas [kW]</b>	5.500
<b>Net Width [mm]</b>	400	<b>Type of gas</b>	Natural gas, propane butane
<b>Net Depth [mm]</b>	600	<b>Number of zones</b>	1
<b>Net Height [mm]</b>	280	<b>Power consumption of the zone 1 [kW]</b>	5,5
<b>Net Weight [kg]</b>	44.00	<b>Solid top dimensions [mm x mm]</b>	15

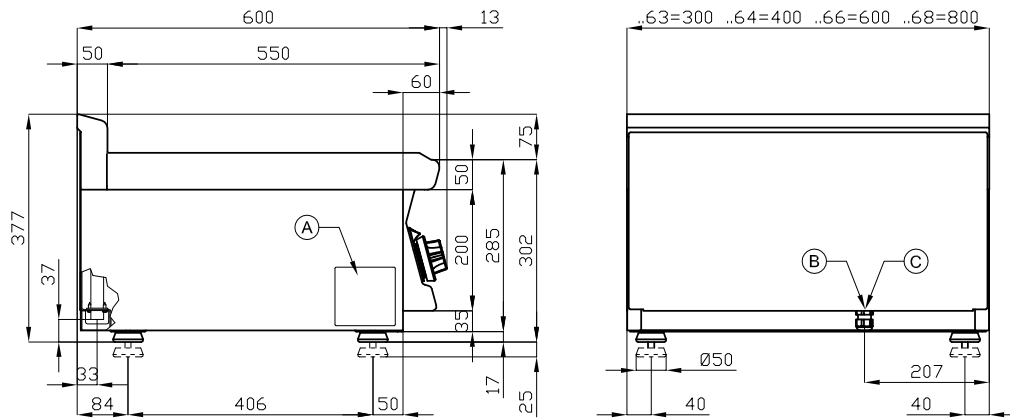
# Technical data sheet

Technical drawing



## Cooking range solid top gas 1x burner without cabinet

<b>Model</b>	<b>SAP Code</b>	00004686
--------------	-----------------	----------



A	Data plate		C	Gas connection	ISO 7-1 1/2" M
---	------------	--	---	----------------	----------------

# Technical data sheet

## Product benefits



### Cooking range solid top gas 1x burner without cabinet

Model	SAP Code	00004686
-------	----------	----------

1

#### Massive construction of burners

- high performance and efficiency
- brass burners removable
- eternal flame
- long life
- demountable
  - energy saving (perfect combustion)
  - time saving for food preparation
  - easy maintenance/cleaning

2

#### Hygienic moldings of the top plate

- absence of sharp corners and edges (potential places where dirt could stick)
- smooth transitions
  - easy quick cleaning

3

#### Degree of protection of the control elements IPX5

- maintenance-free system
- resistance to splash water
- long life
  - savings on service interventions
  - easy cleaning and maintenance of equipment

4

#### All-stainless design

- the material does not cut
- wear resistance of the material
- long life
  - savings on service interventions
  - easy cleaning and maintenance of equipment

5

#### Safety element – thermocouple

- safe operation for personnel
- there is no overheating and damage to the thallus
- long life
  - savings on service interventions
  - easier and faster operation

6

#### Piezoelectric ignition

- instant flame ignition
- there is no unnecessary gas leakage
- long life
  - savings on service interventions
  - easier and faster operation

7

#### Cooking unit for use on a table or on a base

- variable use
- the possibility of placement in smaller spaces
  - easy handling
  - cost savings on substructure

# Technical data sheet

Technical parameters



## Cooking range solid top gas 1x burner without cabinet

**Model**

**SAP Code**

00004686

**1. SAP Code:**

00004686

**2. Net Width [mm]:**

400

**3. Net Depth [mm]:**

600

**4. Net Height [mm]:**

280

**5. Net Weight [kg]:**

44.00

**6. Gross Width [mm]:**

430

**7. Gross depth [mm]:**

690

**8. Gross Height [mm]:**

610

**9. Gross Weight [kg]:**

54.00

**10. Device type:**

Gas unit

**11. Construction type of device:**

Table top

**12. Power gas [kW]:**

5.500

**13. Ignition:**

Piezo

**14. Type of gas:**

Natural gas, propane butane

**15. Protection of controls:**

IPX5

**16. Device color:**

Stainless steel

**17. Material:**

AISI 304 top plate and cladding

**18. Worktop Thickness [mm]:**

1.00

**19. Number of zones:**

1

**20. Power consumption of the zone 1 [kW]:**

5,5

**21. Number of power control stages:**

6

**22. Service accessibility:**

Trough the frontal panel

**23. Safety thermocouple:**

Yes

**24. Adjustable feet:**

Yes

**25. Number of burners/hot plates:**

1

**26. Type of gas cooking zones:**

Thales

**27. Solid top thickness [mm]:**

15

**28. Solid top dimensions [mm x mm]:**

15

# Technical data sheet

Technical parameters



## Cooking range solid top gas 1x burner without cabinet

<b>Model</b>	<b>SAP Code</b>	00004686
--------------	-----------------	----------

**29. Solid top material:**  
chrome-molybdenum

**30. Solid top ignition:**  
Piezo