

Technical data sheet

Product features



Cooking range electric with static electric oven 3x GN 1/1 - 6x plate 400 V

Model	SAP Code	00000314
--------------	-----------------	----------



- Device type: Electric unit
- Power consumption of the zone 1 [kW]: 2,6
- Power consumption of the zone 2 [kW]: 2,6
- Power consumption of the zone 3 [kW]: 2,6
- Power consumption of the zone 4 [kW]: 2,6
- Power consumption of the zone 5 [kW]: 2,6
- Power consumption of the zone 6 [kW]: 2,6
- Type of internal part of the appliance 1 (eg oven): Electric
- Type of internal part of the appliance 2 (eg oven): Static
- Protection of controls: IPX5
- Material: Stainless steel

SAP Code	00000314	Power consumption of the zone 3 [kW]	2,6
Net Width [mm]	1200	Power consumption of the zone 4 [kW]	2,6
Net Depth [mm]	705	Power consumption of the zone 5 [kW]	2,6
Net Height [mm]	900	Power consumption of the zone 6 [kW]	2,6
Net Weight [kg]	117.00	Type of internal part of the appliance 1 (eg oven)	Electric
Power electric [kW]	22.500	Type of internal part of the appliance 2 (eg oven)	Static
Loading	400 V / 3N - 50 Hz	Width of internal part [mm]	1070
Number of zones	6	Depth of internal part [mm]	550
Power consumption of the zone 1 [kW]	2,6	Height of internal part [mm]	340
Power consumption of the zone 2 [kW]	2,6	Diameter of device [mm]	220

Technical data sheet

Technical drawing

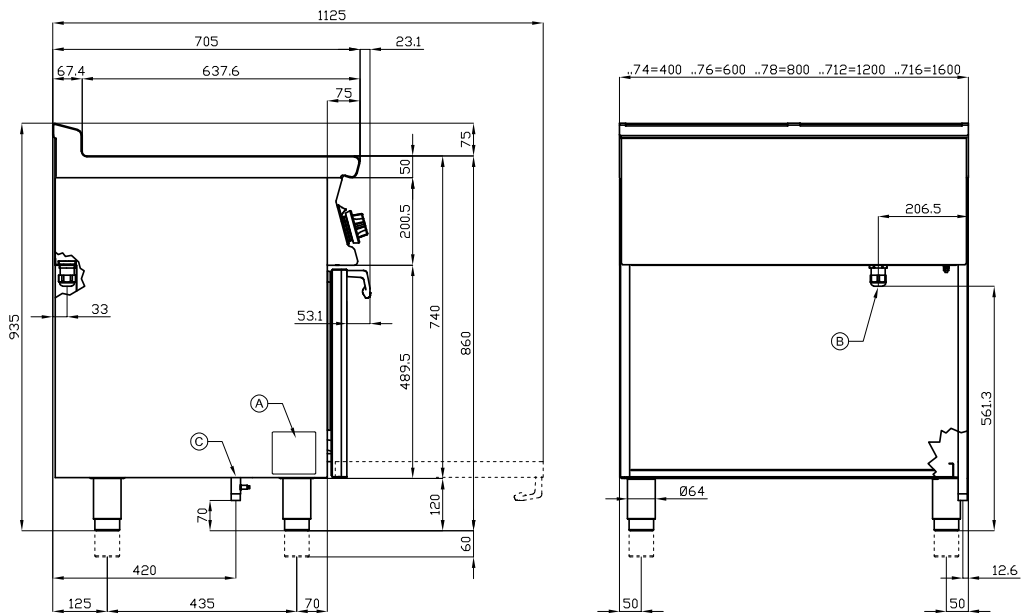


Cooking range electric with static electric oven 3x GN 1/1 - 6x plate 400 V

Model

SAP Code

00000314



A	Data plate	B	Electrical connection
---	------------	---	-----------------------

Technical data sheet

Product benefits



Cooking range electric with static electric oven 3x GN 1/1 - 6x plate 400 V

Model

SAP Code

00000314

1

Internal thermostatic plate protection

longer service life of the plates
– no overheating of the plates and no cracking

2

Degree of protection of the control elements IPX5

maintenance-free system
resistance to splash water
long life
– savings on service interventions
– easy cleaning and maintenance of equipment

3

All-stainless design

the material does not cut
wear resistance of the material
long life
– savings on service interventions
– easy cleaning and maintenance of equipment

4

Hygienic moldings of the top plate

absence of sharp corners and edges (potential places where dirt could stick)
smooth transitions
– easy quick cleaning

5

Large oven with four rack positions with static cooking

static baking
high capacity and variability
all-stainless design
– suitable for yeast dishes and desserts
– long service life
– easy to clean

Technical data sheet

Technical parameters



Cooking range electric with static electric oven 3x GN 1/1 - 6x plate 400 V

Model

SAP Code

00000314

1. SAP Code:

00000314

2. Net Width [mm]:

1200

3. Net Depth [mm]:

705

4. Net Height [mm]:

900

5. Net Weight [kg]:

117.00

6. Gross Width [mm]:

1230

7. Gross depth [mm]:

770

8. Gross Height [mm]:

1110

9. Gross Weight [kg]:

136.00

10. Device type:

Electric unit

11. Construction type of device:

With substructure

12. Power electric [kW]:

22.500

13. Loading:

400 V / 3N - 50 Hz

14. Protection of controls:

IPX5

15. Material:

Stainless steel

16. Worktop type:

Molded - comfortable cleaning maintenance

17. Worktop material:

AISI 304

18. Worktop Thickness [mm]:

2.00

19. Number of zones:

6

20. Power consumption of the zone 1 [kW]:

2,6

21. Power consumption of the zone 2 [kW]:

2,6

22. Power consumption of the zone 3 [kW]:

2,6

23. Power consumption of the zone 4 [kW]:

2,6

24. Power consumption of the zone 5 [kW]:

2,6

25. Power consumption of the zone 6 [kW]:

2,6

26. Maximum device temperature [°C]:

300

27. Minimum device temperature [°C]:

50

28. Number of power control stages:

6

Technical data sheet

Technical parameters



Cooking range electric with static electric oven 3x GN 1/1 - 6x plate 400 V

Model

SAP Code

00000314

29. Service accessibility:

From the front by removing the front panel and waste fluid containers

30. Safety element:

internal thermostatic protection of the hotplate against overheating
safety thermostat 360 °C

31. Safety thermostat:

Yes

32. Safety thermostat up to x ° C:

360

33. Adjustable feet:

Yes

34. Number of burners/hot plates:

6

35. Diameter of device [mm]:

220

36. Type of electric cooking zones:

Oval

37. Oven Type:

electrical static

38. Oven size:

GN 3x 1/1

39. Oven material:

Stainless steel

40. Type of internal part of the appliance 1 (eg oven):

Electric

41. Type of internal part of the appliance 2 (eg oven):

Static

42. Width of internal part [mm]:

1070

43. Depth of internal part [mm]:

550

44. Height of internal part [mm]:

340

45. Maximum temperature of the inner chamber [°C]:

300

46. Minimum temperature of the inner chamber [°C]:

50

47. Number of internal parts:

4