



FTT..-98G

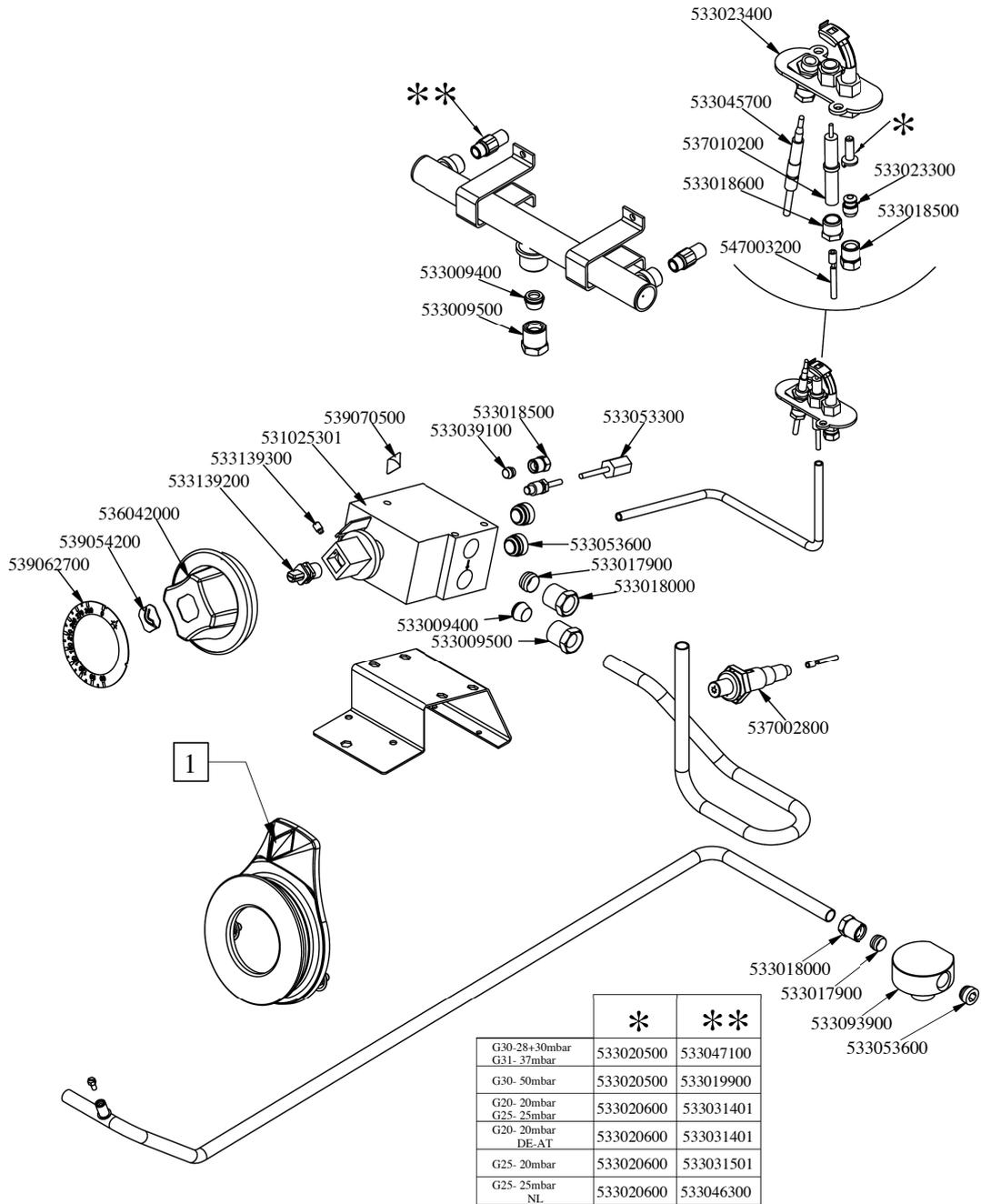
2021_11

1

Kod	Nazev
544413700	SPLASH GUARD FT-98
544023800	SPATTLE FOR GROOVED GRIDDLE
541193201	ASS.CRUSC.S607090 FTT-6 8G
544023901	SPATTLE FOR FRY-TOP
544446900	LHD SIDE FOR 90T APPLIANCES
531039100	BURNER FT 90 LINE
541096400	DRIP TRAY FT S.70
541096200	BURNER SUPPORT FT-74G FT-78G
532004100	FLUE GRID L=370 90LINE (RAF)
533010500	LEG M10*25 D.40
544446800	FIANCO APP.S90T DX
541125402	ASS.PIANO S90 FTL-98G (RIC)
541125502	ASS.PIANO S90 FTLR-98G (RIC)
541125602	ASS.PIANO S90 FTR-98G (RIC)
541125702	ASS.PIANO S90 FTL-98GS (RIC)(S)
541125802	ASS.PIANO S90 FTLR-98GS (RIC)(S)
541125902	ASS.PIANO S90 FTR-98GS (RIC)(S)



FTT.-98G
2021_11
2





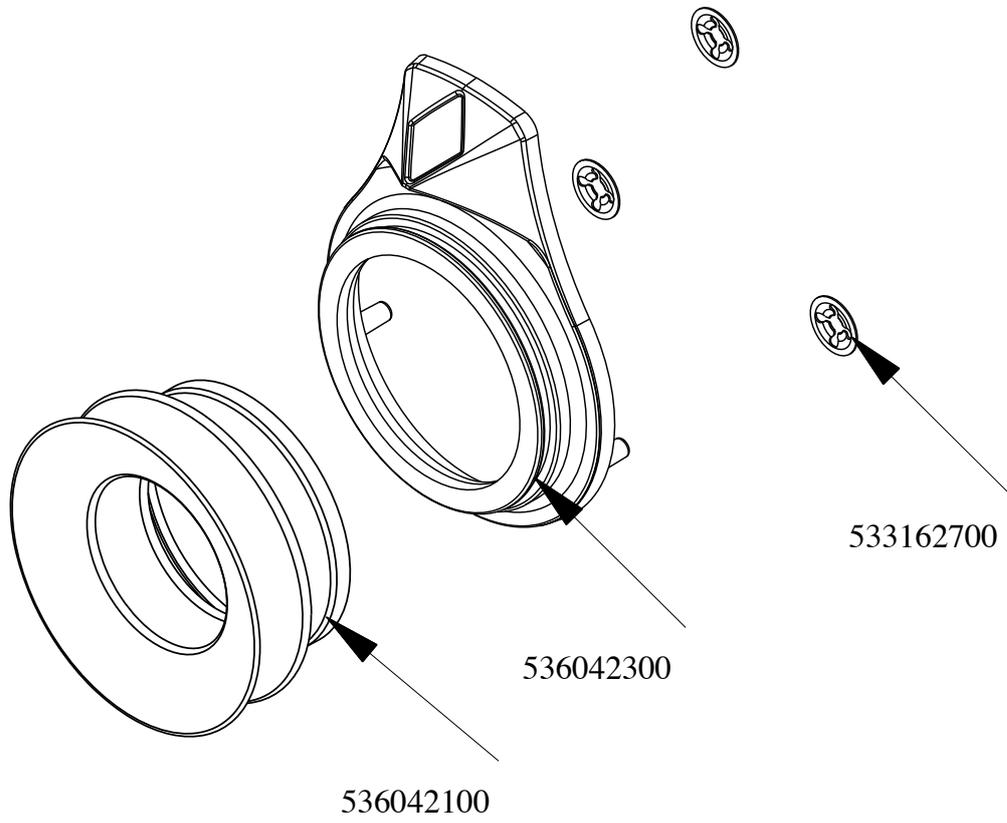
FTT..-98G
2021_11
2

Kod	Nazev
533018000	ELBOW FOR BICONE D.12 3/8 RS L20
533017900	BICONE D.12
533093900	FITTING GAS ENTRY 1/2G 2OUT 3/8G
533053600	EUROSIT VALVE PLUG
533009400	BICONE 10S
533009500	NIPPLE FOR BICONE 10S
539070500	ADHES.LABEL FOR RING RED SIGN.
533039100	BICONE §6
533018500	FITTING FOR BICONE D.6 M10*1
537002800	PIEZOELECTRIC IGNITION M18 WITH NUT
533023400	"TARGET" PILOT + NIPPLE TC
533045700	THERMOCOUPLE M9*1 500
537010200	ROUND PLUG §2,4 - SHORT ELECTRODE
533018600	PLUG FITTING
533023300	BICONE §6 ("TARGET" PILOT)
547003200	HIGH-VOLTAGE CABLE TUBE §2 L=500
533053300	THERMOCOUPLE EXTENSION M9*1
539062700	RED STICKING DISK 72 (060,300°)
536042000	SILVER CHROM. KNOB Ø77 4P.G.Ø8SX6,5
539054200	STAMP Ø20,5 CR."L" LOTUS R.
533139300	BURNISH HEADLESS SCREW M05*05 PCEI
533139200	SHORT PIVOT FOR BRASS KNOB
531025301	EUROSIT VALVE 80-320°C FT M.OT.
533020500	NOZZLE 0.140 §19
533020600	NOZZLE 0.140 §27
533047100	NOZZLE §100A CH12*30 GF-BM6/8
533019900	NOZZLE §90 G-FT3 F-FT-B2
533031401	NOZZLE §155 CH12X30 G20 MH-B2/FT
533031501	NOZZLE §170 CH12X30,0
533046300	NOZZLE §160 CH12*30 F-CPM

FTT..-98G

2021_11

3





FTT..-98G

2021_11

3

Kod	Nazev
536042300	SILVER CHROM. RING FOR KNOB Ø77 4 P
536042100	SEAL CASING FOR KNOB Ø77 4 P
533162700	PROCESSING CODE