

# Technical data sheet

## Product features



### Cooking range gas 4x burner without cabinet

<b>Model</b>	<b>SAP Code</b>	00002990
--------------	-----------------	----------



- Device type: Gas unit
- Power consumption of the zone 1 [kW]: 7,5
- Power consumption of the zone 2 [kW]: 5,5
- Power consumption of the zone 3 [kW]: 5,5
- Power consumption of the zone 4 [kW]: 3,5
- Ignition: Eternal flame
- Protection of controls: IPX5
- Material: Stainless steel

<b>SAP Code</b>	00002990	<b>Type of gas</b>	Natural gas, propane butane
<b>Net Width [mm]</b>	800	<b>Number of zones</b>	4
<b>Net Depth [mm]</b>	705	<b>Power consumption of the zone 1 [kW]</b>	7,5
<b>Net Height [mm]</b>	280	<b>Power consumption of the zone 2 [kW]</b>	5,5
<b>Net Weight [kg]</b>	70.00	<b>Power consumption of the zone 3 [kW]</b>	5,5
<b>Power gas [kW]</b>	22.000	<b>Power consumption of the zone 4 [kW]</b>	3,5

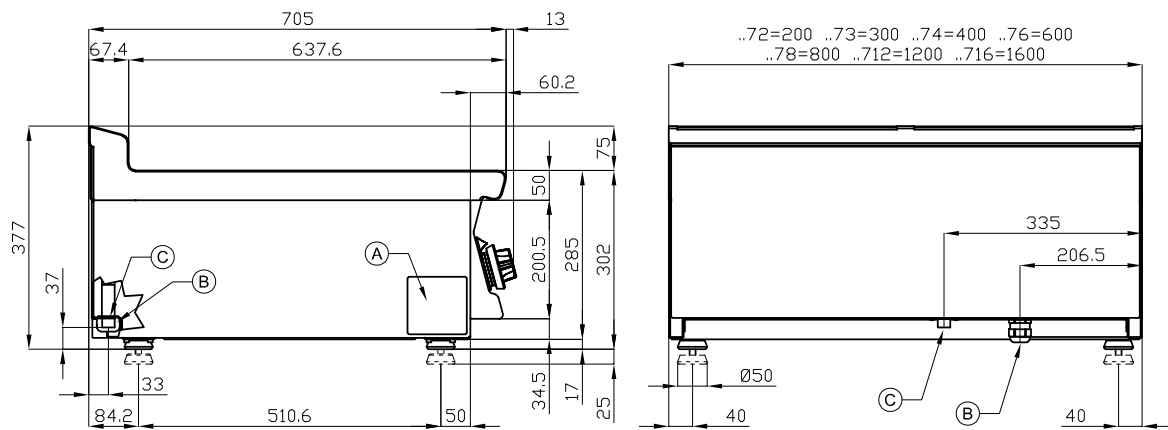
# Technical data sheet

Technical drawing



## Cooking range gas 4x burner without cabinet

<b>Model</b>	<b>SAP Code</b>	00002990
--------------	-----------------	----------



A	Data plate		C	Gas connection	ISO 7-1 1/2" M
---	------------	--	---	----------------	----------------

# Technical data sheet

## Product benefits



### Cooking range gas 4x burner without cabinet

Model

SAP Code

00002990

1

#### Massive construction of burners

high performance and efficiency  
cast iron burners removable  
long life

- energy saving (perfect combustion)
- time saving for food preparation
- easy maintenance/cleaning

2

#### Hygienic moldings of the top plate

absence of sharp corners and edges (potential places where dirt could stick)  
smooth transitions

- easy quick cleaning

3

#### Degree of protection of the control elements IPX5

maintenance-free system  
resistance to splash water  
long life

- savings on service interventions
- easy cleaning and maintenance of equipment

4

#### All-stainless design

the material does not cut  
wear resistance of the material  
long life

- savings on service interventions
- easy cleaning and maintenance of equipment

5

#### Safety element "thermocouple"

safe operation for personnel  
there is no overheating and damage to the thallus  
long life

- savings on service interventions
- easier and faster operation

6

#### Cooking unit for use on a table or on a base

variable use  
the possibility of placement in smaller spaces

- easy handling
- cost savings on substructure

# Technical data sheet

Technical parameters



## Cooking range gas 4x burner without cabinet

Model

SAP Code

00002990

### 1. SAP Code:

00002990

### 2. Net Width [mm]:

800

### 3. Net Depth [mm]:

705

### 4. Net Height [mm]:

280

### 5. Net Weight [kg]:

70.00

### 6. Gross Width [mm]:

830

### 7. Gross depth [mm]:

770

### 8. Gross Height [mm]:

540

### 9. Gross Weight [kg]:

73.00

### 10. Device type:

Gas unit

### 11. Construction type of device:

Table top

### 12. Power gas [kW]:

22.000

### 13. Ignition:

Eternal flame

### 14. Type of gas:

Natural gas, propane butane

### 15. Protection of controls:

IPX5

### 16. Material:

Stainless steel

### 17. Worktop type:

Molded - comfortable cleaning maintenance

### 18. Worktop material:

AISI 304

### 19. Worktop Thickness [mm]:

2.00

### 20. Number of zones:

4

### 21. Power consumption of the zone 1 [kW]:

7,5

### 22. Power consumption of the zone 2 [kW]:

5,5

### 23. Power consumption of the zone 3 [kW]:

5,5

### 24. Power consumption of the zone 4 [kW]:

3,5

### 25. Number of power control stages:

6

### 26. Service accessibility:

From the front by removing the front panel and waste fluid containers

### 27. Safety element:

thermocouple safety feature

### 28. Safety thermocouple:

Yes

# Technical data sheet

Technical parameters



## Cooking range gas 4x burner without cabinet

<b>Model</b>	<b>SAP Code</b>	00002990
--------------	-----------------	----------

### 29. Number of burners/hot plates:

4

### 31. Burner type:

Cast iron, detachable, with internal and external combustion

---

### 30. Type of gas cooking zones:

Classic