

# Technical data sheet

## Product features



### Fry-top griddle plate 36x51 gas chromed smooth without cabinet

<b>Model</b>	<b>SAP Code</b>	00001085
--------------	-----------------	----------



- Top type: Smooth
- Griddle dimensions [mm x mm]: 360 x 510
- Griddle thickness [mm]: 14.00
- Worktop material: Super chrom
- Container for liquid fat: Yes
- Maximum device temperature [°C]: 300
- Removable rim: Yes
- Ignition: Piezo+večný plamen

<b>SAP Code</b>	00001085	<b>Power gas [kW]</b>	7.000
<b>Net Width [mm]</b>	400	<b>Type of gas</b>	Natural gas, propane butane
<b>Net Depth [mm]</b>	705	<b>Griddle dimensions [mm x mm]</b>	360 x 510
<b>Net Height [mm]</b>	280	<b>Top type</b>	Smooth
<b>Net Weight [kg]</b>	57.00	<b>Worktop type</b>	Molded - comfortable cleaning maintenance

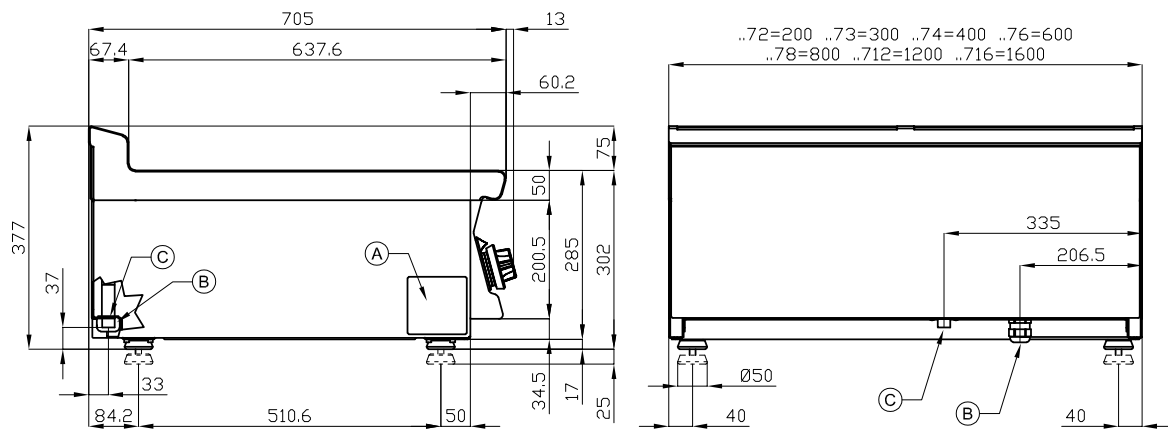
# Technical data sheet

Technical drawing



## Fry-top griddle plate 36x51 gas chromed smooth without cabinet

<b>Model</b>	<b>SAP Code</b>	00001085
--------------	-----------------	----------



A	Data plate		C	Gas connection	ISO 7-1 1/2" M
---	------------	--	---	----------------	----------------

# Technical data sheet

## Product benefits



### Fry-top griddle plate 36x51 gas chromed smooth without cabinet

Model

SAP Code

00001085

1

#### Safety element – thermocouple

safe service for staff  
there is no unnecessary gas leakage  
long life

- savings on service interventions
- easier and faster operation

2

#### All-stainless design

long life  
resistance of AISI 304 stainless steel material  
the material does not cut

- savings on service interventions
- easy cleaning and maintenance of equipment

3

#### Degree of protection of the control elements IPX5

maintenance-free system  
resistance to splash water  
long life

- savings on service interventions
- easy cleaning and maintenance of equipment

4

#### Outlet for waste liquids

ensures that oil drips into the socket

- easy maintenance
- easy cleaning

5

#### High detachable hem

better hygienic conditions  
preventing grease from splashing onto ancillary equipment

- easy maintenance
- easy cleaning

6

#### Smooth plate made of chrome-plated steel

the product bakes less and is easier to clean  
uniform heating

- time-saving for food preparation
- no reheating and long cooking times

7

#### Outlet for waste liquids

ensures that oil drips into the socket

- easy maintenance
- easy cleaning

8

#### Cooking unit for use on a table or on a base

variable use  
the possibility of placement in smaller spaces

- easy handling
- cost savings on substructure

9

#### Surface treatment “Superchrom”

a thicker layer of protective chrome applied with new technology

- the top is more scratch resistant
- more convenient and faster handling of food on the plate
- the possibility of preparing more delicate types of food
- the plate does not get dirty, does not swell

# Technical data sheet

## Technical parameters



### Fry-top griddle plate 36x51 gas chromed smooth without cabinet

<b>Model</b>	<b>SAP Code</b>	00001085
--------------	-----------------	----------

**1. SAP Code:**

00001085

**2. Net Width [mm]:**

400

**3. Net Depth [mm]:**

705

**4. Net Height [mm]:**

280

**5. Net Weight [kg]:**

57.00

**6. Gross Width [mm]:**

430

**7. Gross depth [mm]:**

770

**8. Gross Height [mm]:**

540

**9. Gross Weight [kg]:**

63.00

**10. Device type:**

Gas unit

**11. Construction type of device:**

Table top

**12. Power gas [kW]:**

7.000

**13. Ignition:**

Piezo+večný plamen

**14. Type of gas:**

Natural gas, propane butane

**15. Protection of controls:**

IPX5

**16. Device color:**

Stainless steel

**17. Material:**

Stainless steel

**18. Indicators:**

operation and warm-up

**19. Worktop type:**

Molded - comfortable cleaning maintenance

**20. Worktop material:**

Super chrom

**21. Worktop Thickness [mm]:**

2.00

**22. Maximum device temperature [°C]:**

300

**23. Minimum device temperature [°C]:**

50

**24. Power control type:**

knob control

**25. Service accessibility:**

Trough the frontal panel

**26. Safety element:**

safety thermostat

**27. Safety thermostat:**

Yes

**28. Adjustable feet:**

Yes

# Technical data sheet

Technical parameters



## Fry-top griddle plate 36x51 gas chromed smooth without cabinet

**Model**

**SAP Code**

00001085

**29. Griddle dimensions [mm x mm]:**

360 x 510

**32. Removable rim:**

Yes

**30. Griddle thickness [mm]:**

14.00

**33. Uniform heating:**

Yes

**31. Container for liquid fat:**

Yes

**34. Top type:**

Smooth