

Technical data sheet

Product features



Pasta cooker gas 40 l with cabinet

Model	SAP Code	00005893
--------------	-----------------	----------



- Basin volume [l]: 40
- Water inlet: mechanical tap
- Drain type: Trough the cabinet
- Drain: Yes
- Material: Stainless steel
- Protection of controls: IPX5
- Ignition: Electric + Eternal Flame

SAP Code	00005893	Type of gas	Natural gas, propane butane
Net Width [mm]	600	Basin volume [l]	40
Net Depth [mm]	705	Width of internal part [mm]	510
Net Height [mm]	900	Depth of internal part [mm]	307
Net Weight [kg]	71.00	Height of internal part [mm]	327
Loading	230 V / 1N - 50 Hz	Number of GN / EN	1
Power gas [kW]	13.950	GN / EN size in device	GN 1/1

Technical data sheet

Technical drawing

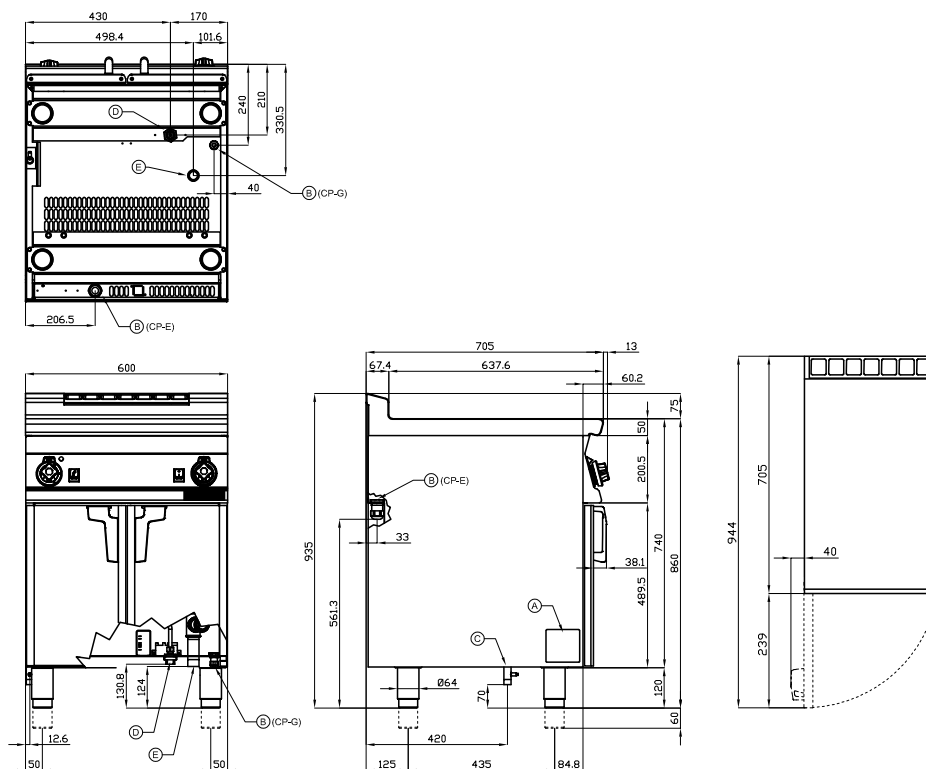


Pasta cooker gas 40 l with cabinet

Model

SAP Code

00005893



A	Data plate		B	Electrical connection	
C	Gas connection	ISO 7-1 1/2" M	D	Cold water connection	ISO 7-1 3/4" M
E	Water drainage	ISO 7-1 1" M			

Technical data sheet

Product benefits



Pasta cooker gas 40 l with cabinet

Model

SAP Code

00005893

1

All-stainless steel bathtub

long life
resistance of AISI 304 stainless steel material
the material does not cut

- savings on service interventions
- easier and faster operation

2

Degree of protection of the control elements IPX5

maintenance-free system
resistance to splash water
long life

- savings on service interventions
- easy cleaning and maintenance of equipment

3

Pressure switch microswitch

microswitch preventing the device from running when there is no water in the bath

- prevents destruction of the equipment by overheating

4

Safety element "thermocouple"

safe service for staff
there is no unnecessary gas leakage
long life

- savings on service interventions
- easier and faster operation

5

Outlet to a removable collector in the substructure with the option of connecting directly to the waste

draining the bath into a prepared container or into the waste

- easy and safe handling
- easier cleaning of the cooking vessel

6

Integrated filling of the water bath

filling valve directly above the cooking vessel

- possibility of adding water during cooking
- easier cleaning

Technical data sheet

Technical parameters



Pasta cooker gas 40 l with cabinet

Model

SAP Code

00005893

1. SAP Code:

00005893

2. Net Width [mm]:

600

3. Net Depth [mm]:

705

4. Net Height [mm]:

900

5. Net Weight [kg]:

71.00

6. Gross Width [mm]:

630

7. Gross depth [mm]:

770

8. Gross Height [mm]:

1110

9. Gross Weight [kg]:

80.00

10. Device type:

Gas unit

11. Construction type of device:

With substructure

12. Loading:

230 V / 1N - 50 Hz

13. Power gas [kW]:

13.950

14. Ignition:

Electric + Eternal Flame

- Elektrick  + v ĀĀnĀ" plamen

15. Type of gas:

Natural gas, propane butane

16. Protection of controls:

IPX5

17. Material:

Stainless steel

18. Indicators:

operation and warm-up

19. Drain valve diameter:

1  

20. Worktop type:

Molded - comfortable cleaning maintenance

21. Standard equipment for device:

the door is part of the device

22. Basin volume [l]:

40

23. Basin dimensions [mm x mm x mm]:

510 x 307 x 327

24. Power control type:

thermostat

25. Service accessibility:

Trough the frontal panel

26. Safety element:

safety thermostat

microswitch preventing the device from running when

there is no water in the bath

overflow channel

Technical data sheet

Technical parameters



Pasta cooker gas 40 l with cabinet

Model

SAP Code

00005893

27. Safety thermocouple:

Yes

28. Safety thermostat:

Yes

29. Adjustable feet:

Yes

30. Additional information:

basket is not included in the package possibility to buy baskets in different sizes

31. Number of basins:

1

32. Basin material:

AISI 316 - Stainless steel highly resistant to salt water

33. Heating element construction:

rotatable heating element

34. Water inlet:

mechanical tap

35. Drain type:

Trough the cabinet

36. Drain:

Yes

37. Number of GN / EN:

1

38. GN / EN size in device:

GN 1/1

39. Drain connection:

Yes

40. Width of internal part [mm]:

510

41. Depth of internal part [mm]:

307

42. Height of internal part [mm]:

327

43. Image for addition:

1DD54373-93AA-44F3-BC58-3F4A65F46B6A