

# Technical data sheet

## Product features



### Cooking range gas with static gas oven GN 2/1 - 4x burner

<b>Model</b>	<b>SAP Code</b>	00000306
--------------	-----------------	----------



- Device type: Gas unit
- Power consumption of the zone 1 [kW]: 10
- Power consumption of the zone 2 [kW]: 7
- Power consumption of the zone 3 [kW]: 7
- Power consumption of the zone 4 [kW]: 4
- Ignition: Eternal flame
- Type of internal part of the appliance 1 (eg oven): Gas
- Type of internal part of the appliance 2 (eg oven): Static
- Protection of controls: IPX5
- Material: AISI 304

<b>SAP Code</b>	00000306	<b>Power consumption of the zone 2 [kW]</b>	7
<b>Net Width [mm]</b>	800	<b>Power consumption of the zone 3 [kW]</b>	7
<b>Net Depth [mm]</b>	900	<b>Power consumption of the zone 4 [kW]</b>	4
<b>Net Height [mm]</b>	900	<b>Type of internal part of the appliance 1 (eg oven)</b>	Gas
<b>Net Weight [kg]</b>	154.00	<b>Type of internal part of the appliance 2 (eg oven)</b>	Static
<b>Power gas [kW]</b>	36.500	<b>Width of internal part [mm]</b>	680
<b>Type of gas</b>	Natural gas, propane butane	<b>Depth of internal part [mm]</b>	730
<b>Number of zones</b>	4	<b>Height of internal part [mm]</b>	340
<b>Power consumption of the zone 1 [kW]</b>	10		

# Technical data sheet

Technical drawing

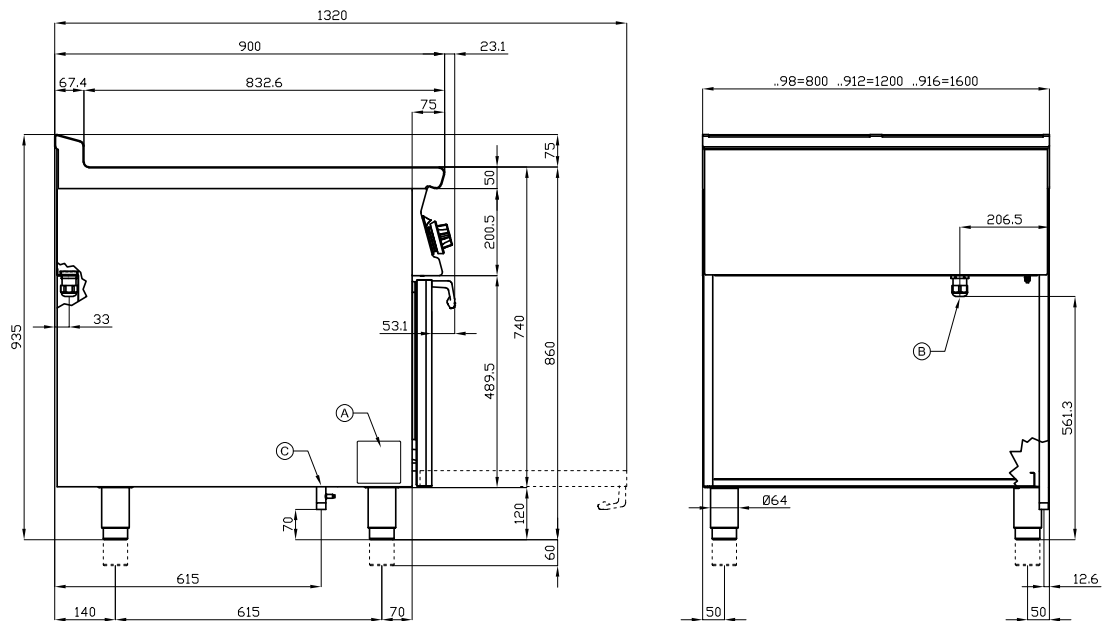


Cooking range gas with static gas oven GN 2/1 - 4x burner

Model

SAP Code

00000306



A	Data plate	C	Gas connection	ISO 7-1 3/4" M
---	------------	---	----------------	----------------

# Technical data sheet

## Product benefits



### Cooking range gas with static gas oven GN 2/1 - 4x burner

Model

SAP Code

00000306

1

#### Massive construction of burners

- high performance and efficiency
- brass burners removable
- eternal flame
- long life
- demountable
  - energy saving (perfect combustion)
  - time saving for food preparation
  - easy maintenance/cleaning

2

#### Hygienic moldings of the top plate

- absence of sharp corners and edges (potential places where dirt could stick)
- smooth transitions
  - 0

3

#### Large oven with four rack positions with static cooking

- static baking
- high capacity and variability
- all-stainless design
  - suitable for yeast dishes and desserts
  - long service life
  - easy to clean

4

#### Degree of protection of the control elements IPX5

- maintenance-free system
- resistance to splash water
- long life
  - savings on service interventions
  - easy cleaning and maintenance of equipment

5

#### All-stainless steel construction

- the material does not cut
- wear resistance of the material
- long life
  - savings on service interventions
  - easy cleaning and maintenance of equipment

6

#### Safety element – thermocouple

- safe service for staff
- there is no unnecessary gas leakage
- long life
  - savings on service interventions
  - easier and faster operation

7

#### Piezoelectric ignition

- instant flame ignition
- there is no unnecessary gas leakage
- long life
  - savings on service interventions
  - easier and faster operation

# Technical data sheet

Technical parameters



## Cooking range gas with static gas oven GN 2/1 - 4x burner

**Model**

**SAP Code**

00000306

**1. SAP Code:**

00000306

**2. Net Width [mm]:**

800

**3. Net Depth [mm]:**

900

**4. Net Height [mm]:**

900

**5. Net Weight [kg]:**

154.00

**6. Gross Width [mm]:**

830

**7. Gross depth [mm]:**

970

**8. Gross Height [mm]:**

1110

**9. Gross Weight [kg]:**

166.00

**10. Device type:**

Gas unit

**11. Construction type of device:**

With substructure

**12. Power gas [kW]:**

36.500

**13. Ignition:**

Eternal flame

**14. Type of gas:**

Natural gas, propane butane

**15. Protection of controls:**

IPX5

**16. Device color:**

Stainless steel

**17. Material:**

AISI 304

**18. Worktop type:**

Molded - comfortable cleaning maintenance

**19. Worktop material:**

AISI 304

**20. Worktop Thickness [mm]:**

2.00

**21. Number of zones:**

4

**22. Power consumption of the zone 1 [kW]:**

10

**23. Power consumption of the zone 2 [kW]:**

7

**24. Power consumption of the zone 3 [kW]:**

7

**25. Power consumption of the zone 4 [kW]:**

4

**26. Number of power control stages:**

6

**27. Service accessibility:**

From the front by removing the front panel and waste fluid containers

**28. Safety thermocouple:**

Yes

# Technical data sheet

Technical parameters



## Cooking range gas with static gas oven GN 2/1 - 4x burner

**Model**

**SAP Code**

00000306

**29. Safety thermostat up to x ° C:**

360

**30. Adjustable feet:**

Yes

**31. Number of burners/hot plates:**

4

**32. Type of gas cooking zones:**

Classic

**33. Burner type:**

Brass, detachable

**34. Oven Type:**

gas static

**35. Oven size:**

GN 2/1

**36. Oven material:**

Stainless steel

**37. Type of internal part of the appliance 1 (eg oven):**

Gas

**38. Type of internal part of the appliance 2 (eg oven):**

Static

**39. Width of internal part [mm]:**

680

**40. Depth of internal part [mm]:**

730

**41. Height of internal part [mm]:**

340

**42. Gasket:**

Yes

**43. Maximum temperature of the inner chamber [°C]:**

300

**44. Minimum temperature of the inner chamber [°C]:**

150

**45. Inner ignition:**

Piezoelectric

**46. Number of internal parts:**

4