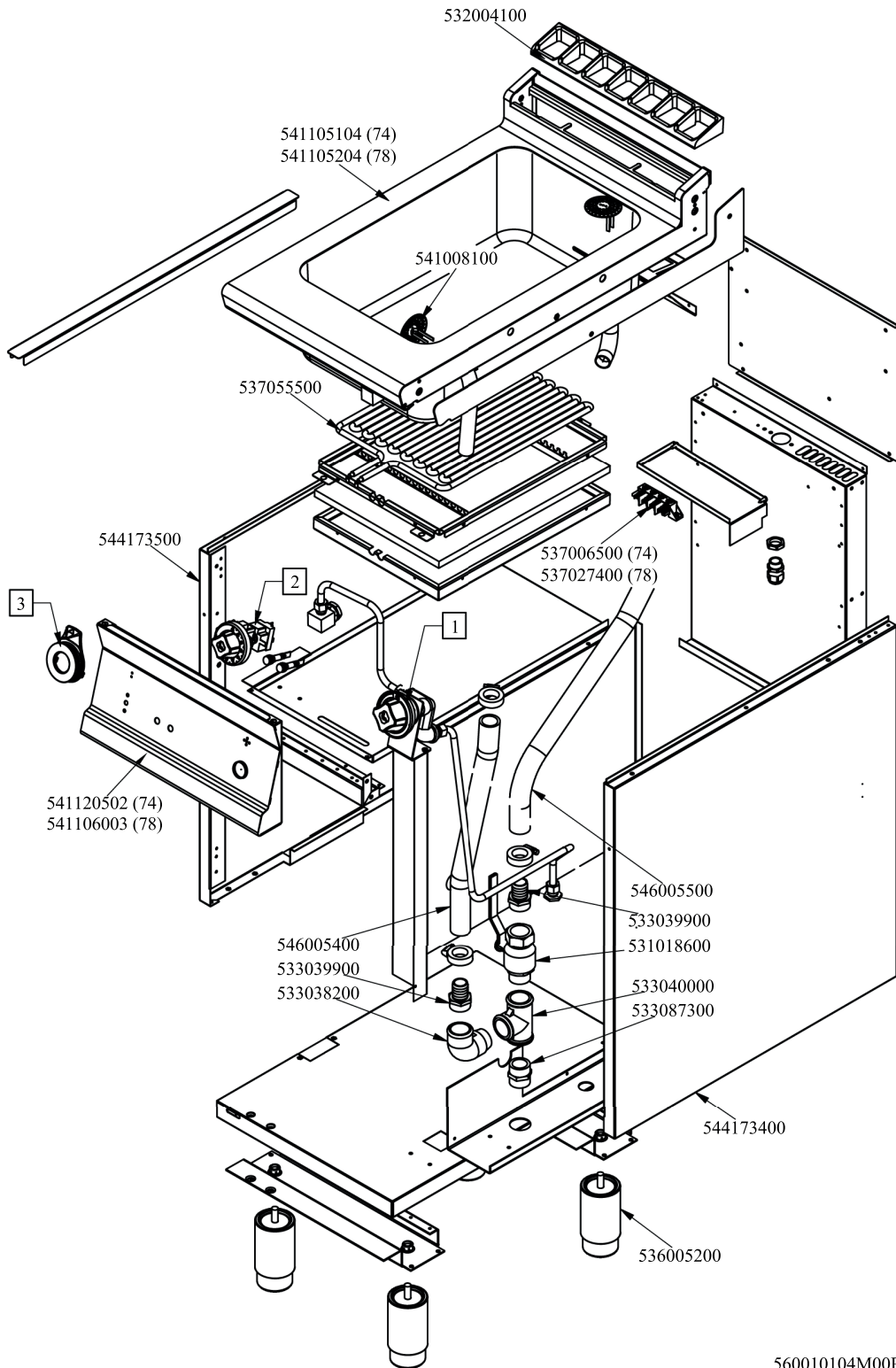




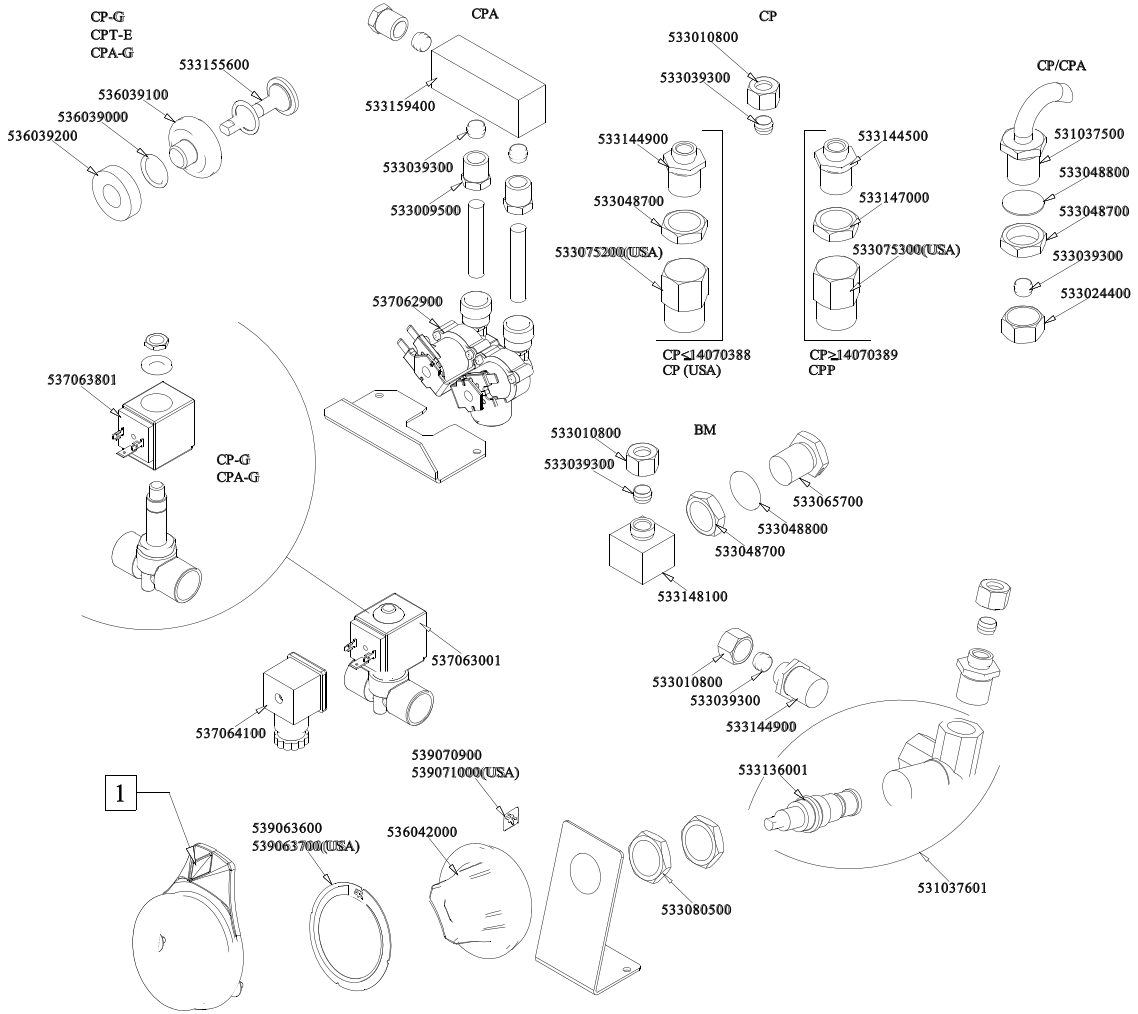
RM 700  
 Platný od 1.5. 2019  
 BM-74EM



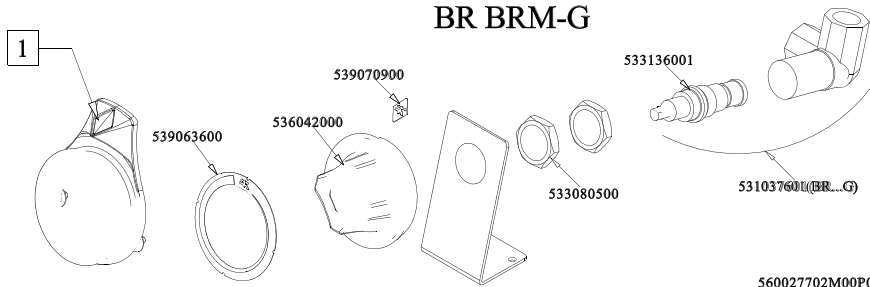
560010104M00P00



Objednávací kód	Popis v ENG
541120502	
544173500	LEFT SIDE PANEL S.70
546005400	RUBBER TUBE §25INT.*§33EXT.*L=470
533039900	PIPE HOLDER 1" G M D.24
533038200	1" G M-F ELBOW FITTING
531018600	BALL VALVE 1"G M-F CPM-62G
546005500	RUBBER TUBE §25INT.*§33EXT.XL=660
544173400	RIGHT SIDE PANEL S.70
536005200	INOX LEG 2" 120-180 M10
533040000	1"G F-F-F "T" FITTING
533087300	HEXAGONAL BICONE 1G
537055500	HEATING ELEMENT.BM S70 2100W 1-230V
537006500	HEATING ELEMENT W2000 V230 CF-62
532004100	FLUE GRID L=370 90LINE (RAF)
541105104	
541008100	DRAIN FILTER TANK CP 700LINE
-	-
-	-
-	-

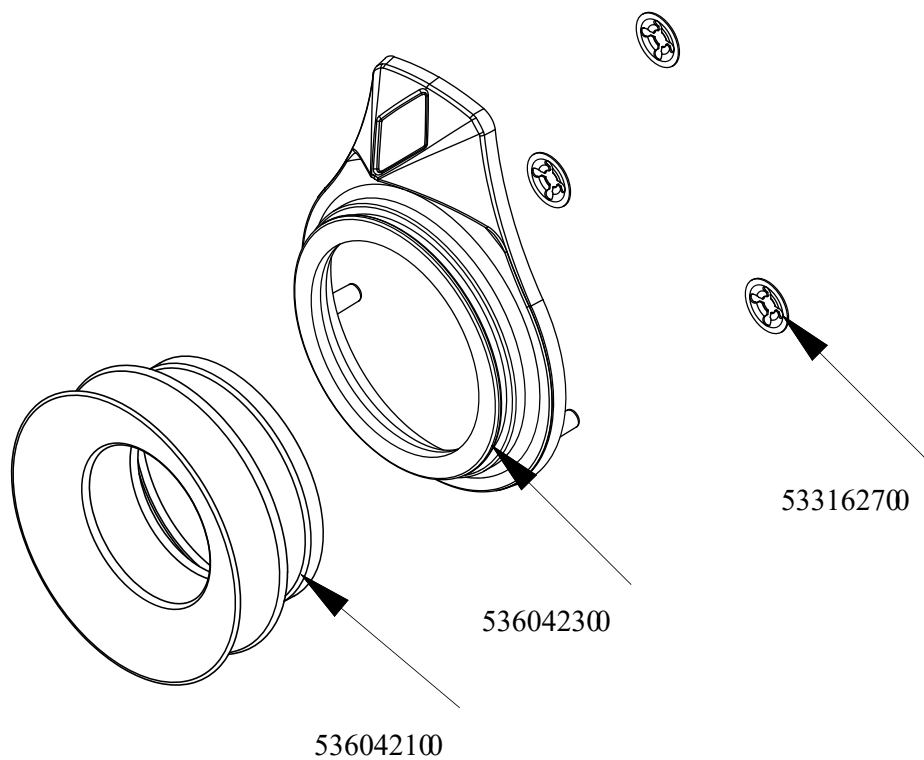


BR BRM-G





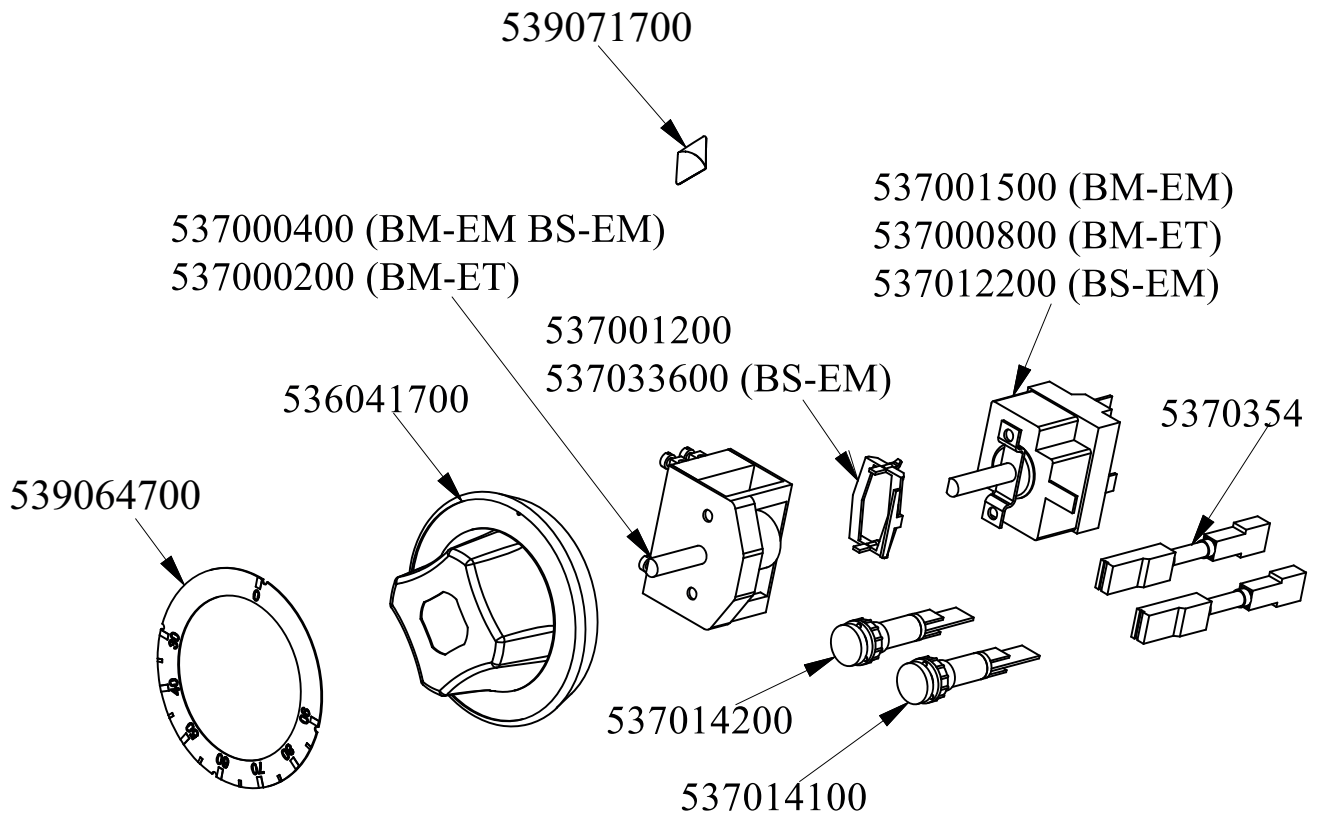
Objednávací kód	Popis v ENG
539054200	STAMP Ø20,5 CR."L" LOTUS R.
536042000	SILVER CHROM. KNOB Ø77 4P.G.Ø8SX6,5
533136001	SCREW TAP WATER LOAD FOR CP S70/90
531037601	TAP FOR WATER 90°DX CP
539063600	ADHESIVE DISK 72 FOR DRAIN COCK
539070900	ADHES.LABEL FOR RING WATER TAP
531037601	TAP FOR WATER 90°DX CP
533010800	TUBE NUT D.10 M16*1,5
533039300	BICONE §10
533144900	MALE FITTING WATER INLET M16X1,5
539071000	PROCESSING CODE
539063700	ADHESIVE DISK 72 FOR DRAIN COCK USA
533048700	NUT 1/2G ZN
533075200	PROCESSING CODE
533147000	BICONE FITTING 3/4G ZN
533144500	FITTING FOR WATER INPUT 3/4G
533075300	PROCESSING CODE
533080500	PROCESSING CODE
533148100	
533048800	GASKET §30*§21*2 FIBRE
533065700	FITTING FOR WATER INPUT 1/2G
531037500	PROCESSING CODE
533024400	HEXAGONAL NUT 1/2G TUBE D.10
537062900	ELECTRO-VALVE 3/4GM-2Ø10JG 230V RPV
533009500	NIPPLE FOR BICONE 10S
533159400	
536039000	GASKET O-RING 12,42X1,78 SILIC.
536039100	GUIDE FOR WATER SENSOR
533155600	PIVOT SENSOR FOR WATER
536039200	SPACER FOR WATER SENSOR
537064100	CONNECTION * ELECTROVALVE 537063001
537063801	
537063001	ELECTROVALVE G 1/2 230V
-	-



560125700M00P0



Objednávací kód	Popis v ENG
536042300	SILVER CHROM. RING FOR KNOB Ø77 4 P
536042100	SEAL CASING FOR KNOB Ø77 4 P
533162700	PROCESSING CODE



560100002M00P00

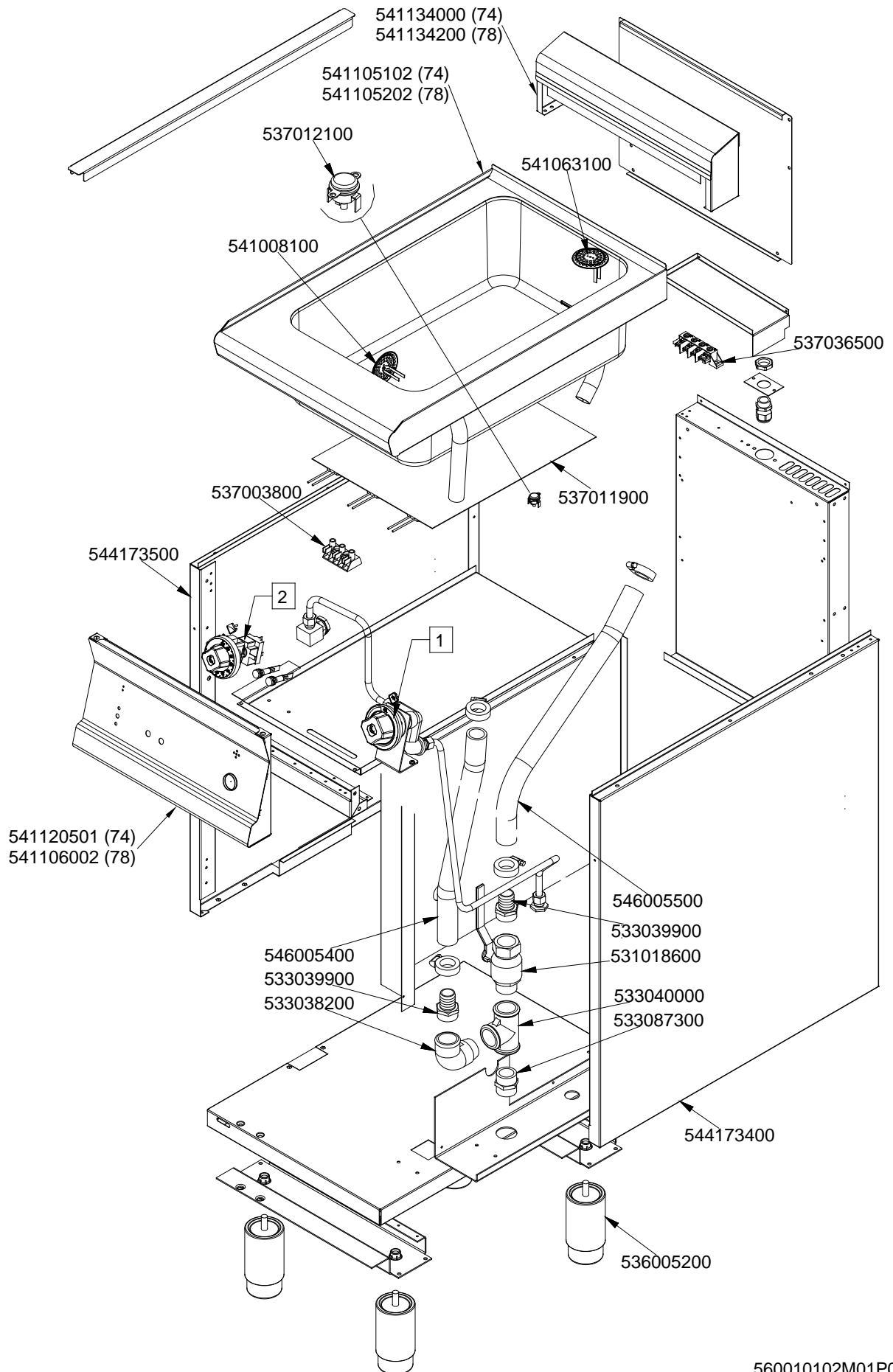


Objednávací kód	Popis v ENG
539064700	BLACK STICKING DISK 72 (030,090°)
536041700	SILVER CHROM. KNOB Ø77 4P.G.Ø06X4,6
537000400	COMMUTATOR 1POS.SINGLEPHASE S49 16A
537000200	COMMUTATOR 1 POS. 3PHASE S.49 16A
539071700	ADHES.LABEL FOR RING GREEN SIGN.
537014200	GREEN WARNING LIGHT 250V
537014100	WHITE WARNING LIGHT 250V
537001200	FIXING BRACKET FOR THERMOSTAT/COMM.
537033600	FIXING BRACKET FOR THERMOSTAT/COMM.
537001500	THERMOSTAT 30-90°C SINGLEPHASE
537000800	THERMOSTAT 30-90°C THREEPHASE
537012200	THERMOSTAT 30/110°C SINGLEPHASE
537035400	HEATING ELEMENT 00003W 330KOHM W/F

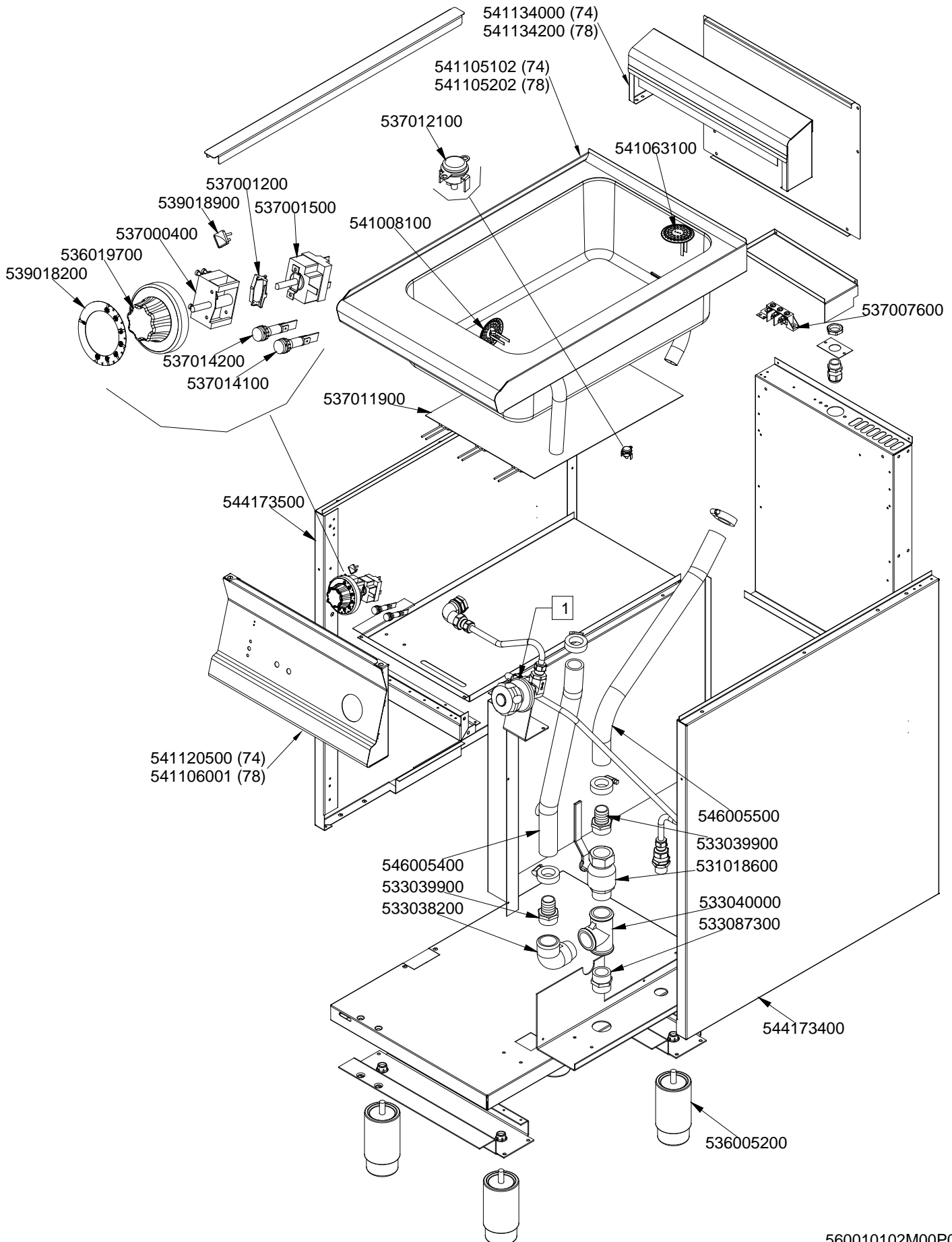




**BM - 74 EM, BM - 78 EM**  
**Platný od 1.5. 2016**  
**do 30.4. 2019**

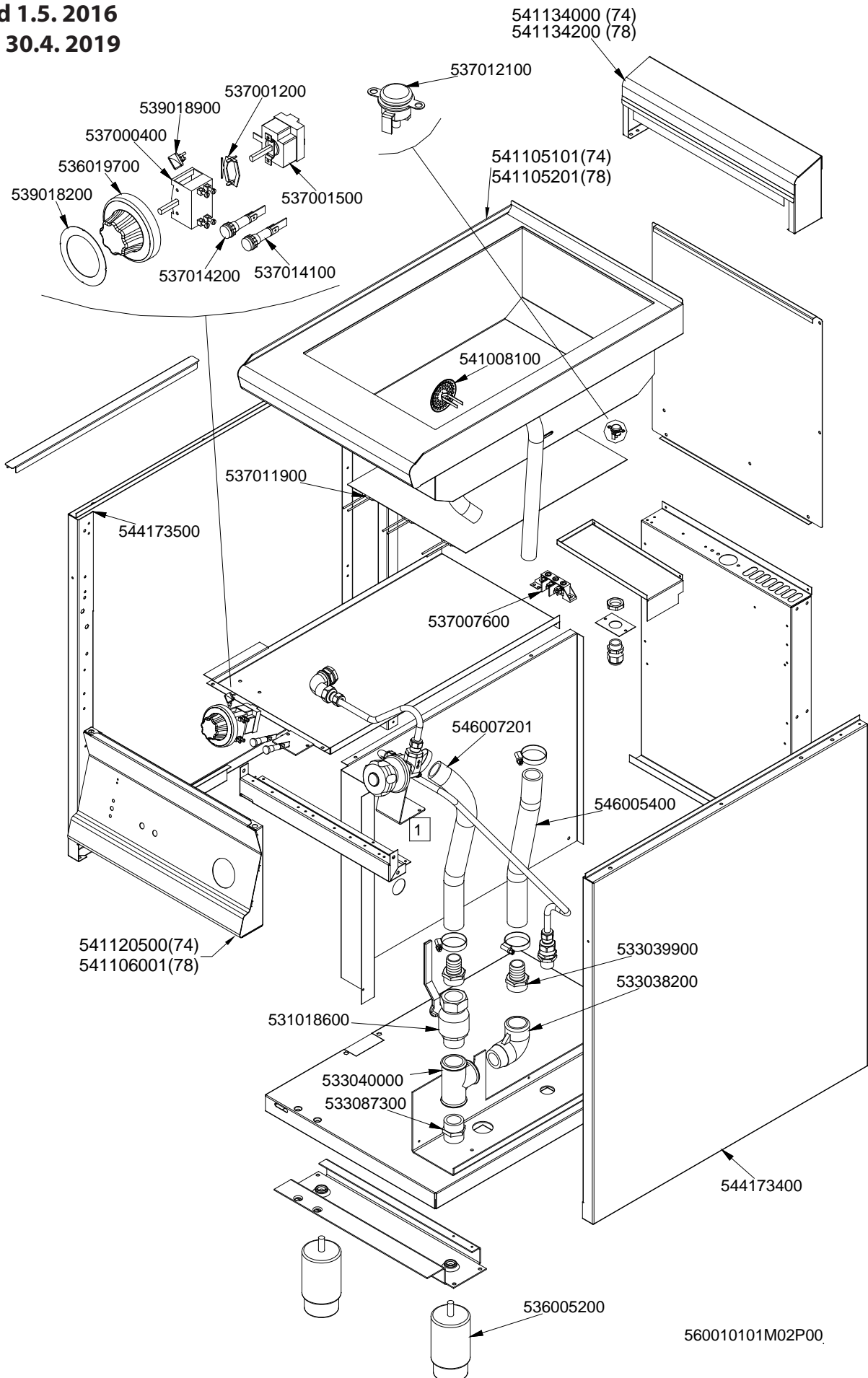


**BM - 74 EM do 0705**  
**BM - 78 EM do 0707**  
**Platný od 1.5. 2016**  
**do 30.4. 2019**





**BM - 74 EM do 0704**  
**BM - 78 EM do 0706**  
**Platný od 1.5. 2016**  
**do 30.4. 2019**

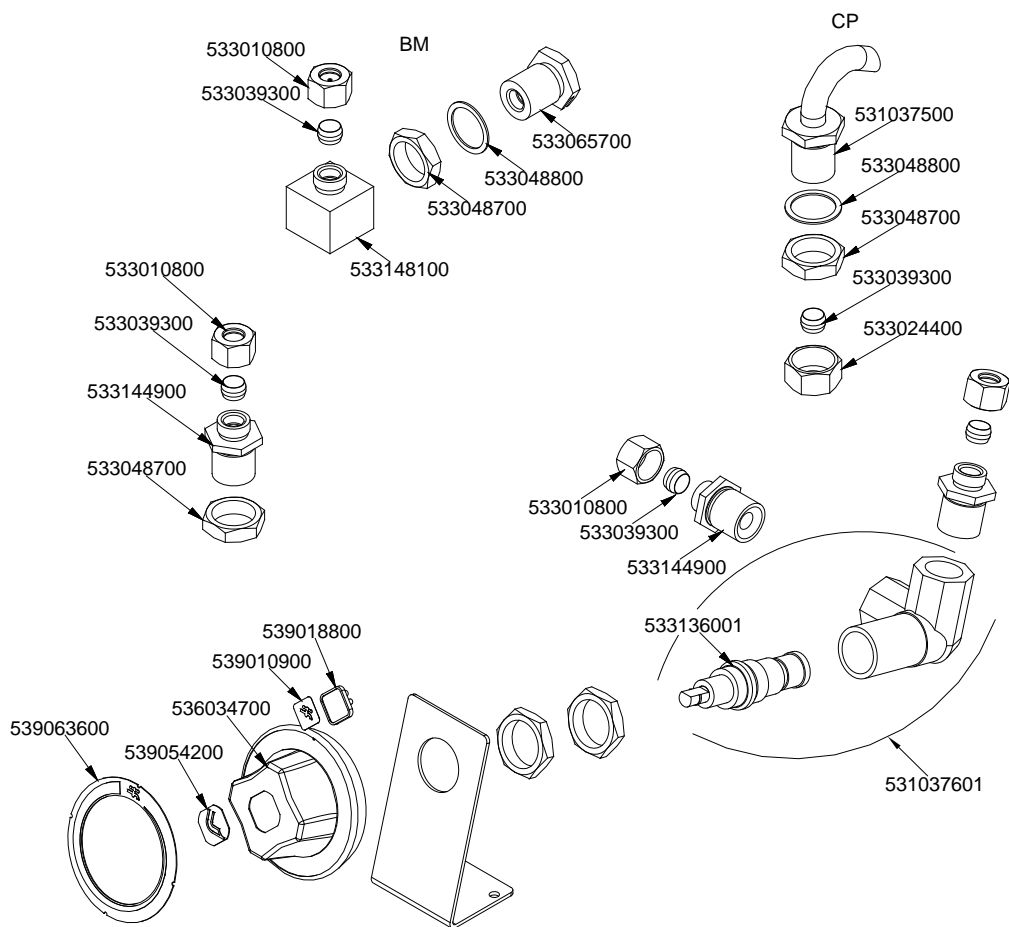




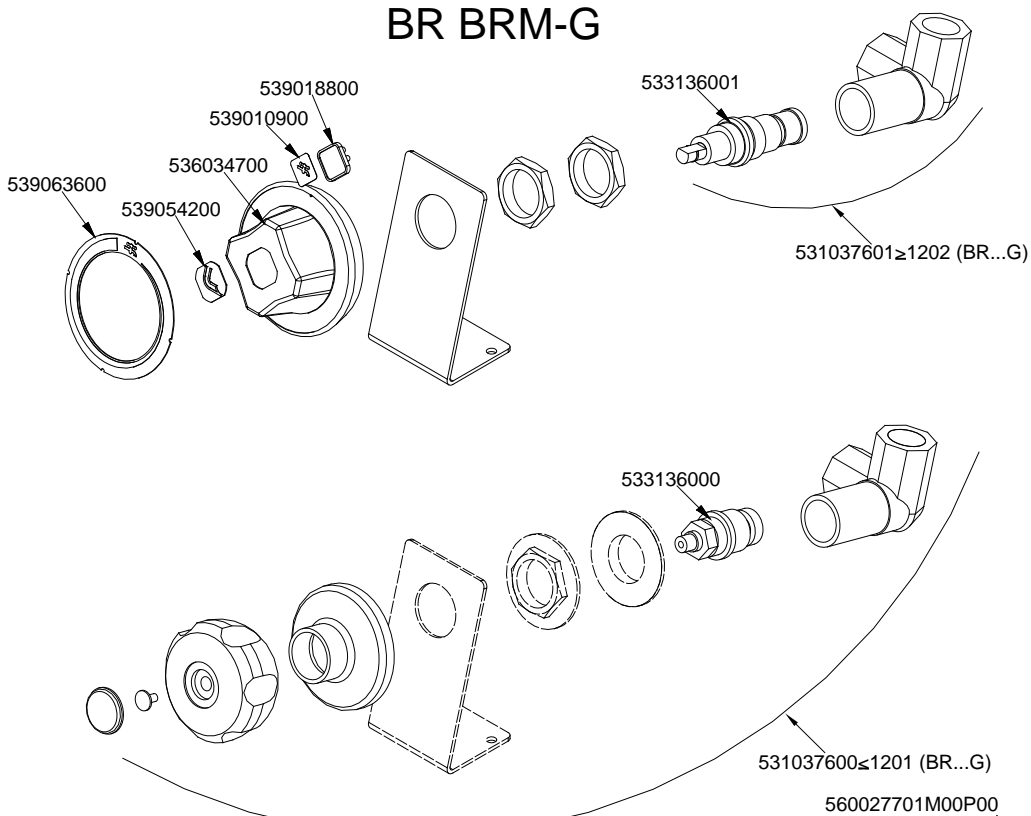
**BM - 74 EM, BM - 78 EM**

Platný od 1.5. 2016

(1) do 30.4. 2019



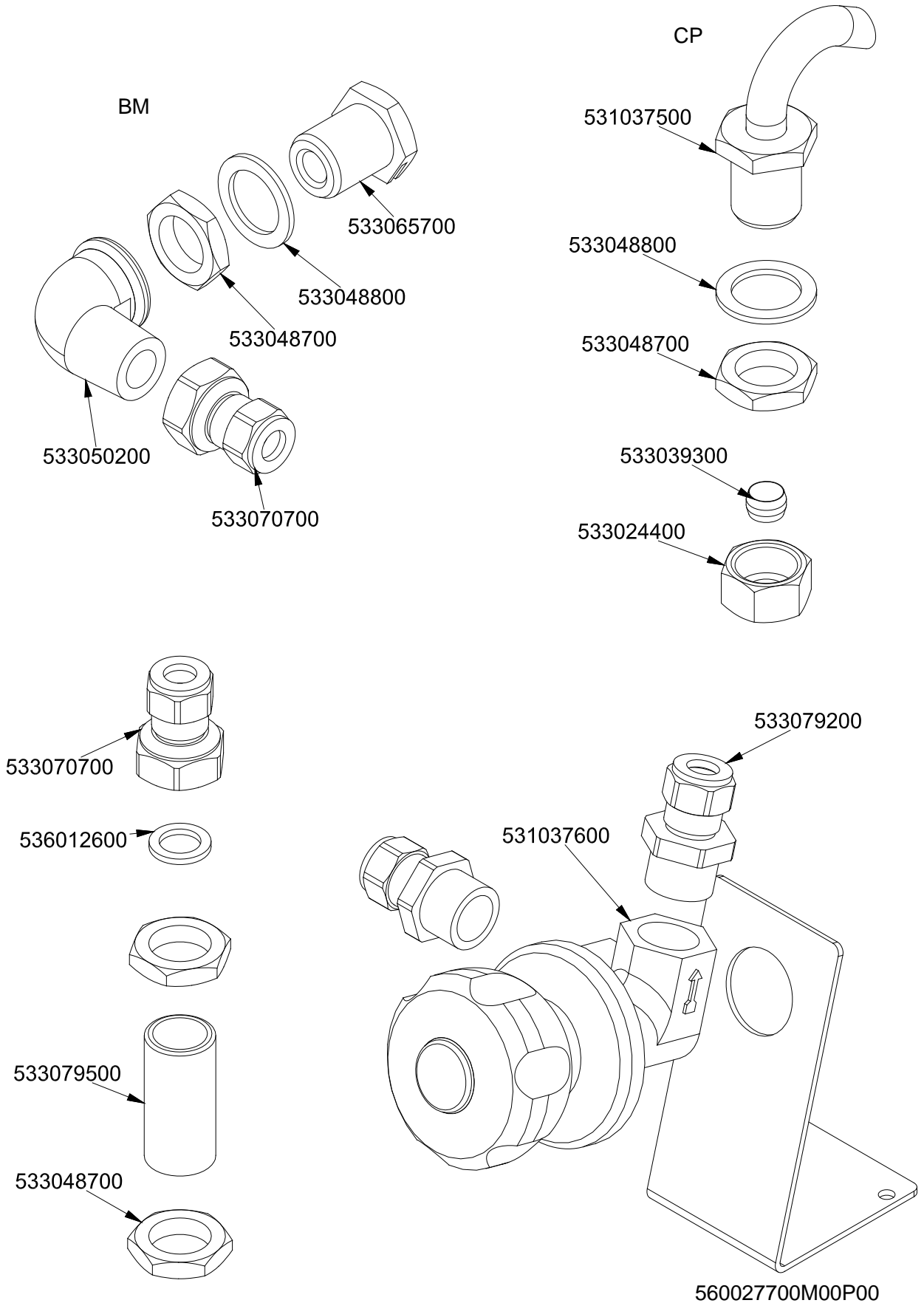
**BR BRM-G**





BM - 74 EM, BM - 78 EM  
Platný od 1.5. 2016  
do 30.4. 2019

(1)





BM - 74 EM, BM - 78 EM

Platný od 1.5. 2016

do 30.4. 2019

(2)

