

Technical data sheet

Product features



Lava stone grill gas 2 cooking areas 2x 38x52 on open cabinet

Model	SAP Code	00000406
--------------	-----------------	----------



- Top type: Grooved
- Grid size [mm x mm]: 2 x 380 x 520
- Container for liquid fat: Yes
- Independent heating zones: Separate control for each heating zone
- Removable rim: Yes
- Removable grid: Yes
- Ignition: Piezo+veÄřnÄř plamen

SAP Code	00000406	Power gas [kW]	18.000
Net Width [mm]	800	Type of gas	Natural gas, propane butane
Net Depth [mm]	705	Grid size [mm x mm]	2 x 380 x 520
Net Height [mm]	900	Top type	Grooved
Net Weight [kg]	94.00		

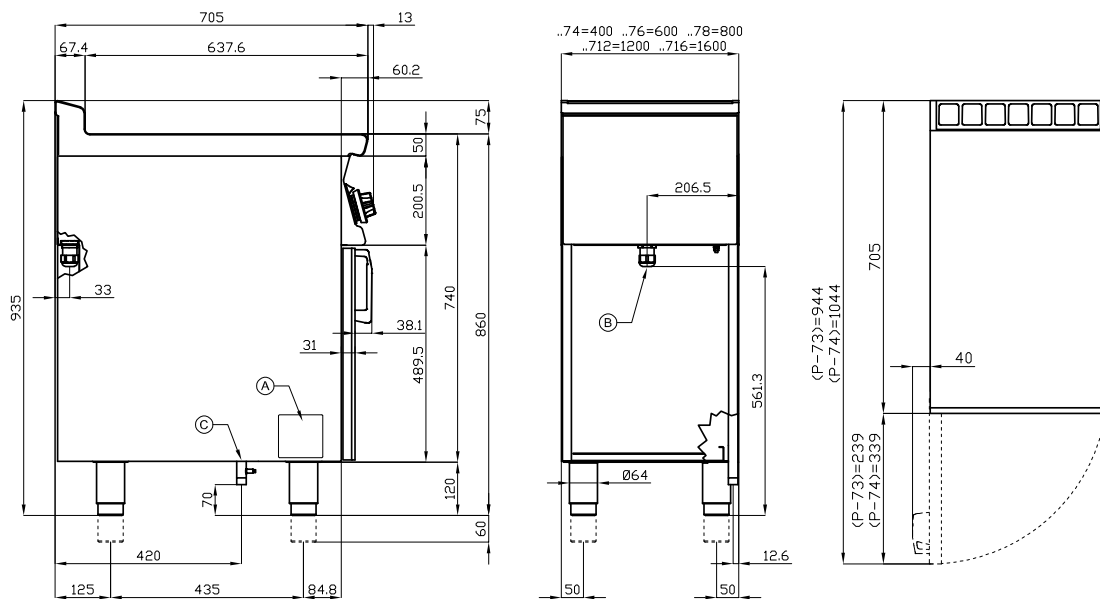
Technical data sheet

Technical drawing



Lava stone grill gas 2 cooking areas 2x 38x52 on open cabinet

Model	SAP Code	00000406
--------------	-----------------	----------



A	Data plate		C	Gas connection	ISO 7-1 1/2" M
---	------------	--	---	----------------	----------------

Technical data sheet

Technical parameters



Lava stone grill gas 2 cooking areas 2x 38x52 on open cabinet

Model

SAP Code

00000406

1. SAP Code:

00000406

2. Net Width [mm]:

800

3. Net Depth [mm]:

705

4. Net Height [mm]:

900

5. Net Weight [kg]:

94.00

6. Gross Width [mm]:

830

7. Gross depth [mm]:

770

8. Gross Height [mm]:

1220

9. Gross Weight [kg]:

104.00

10. Device type:

Gas unit

11. Construction type of device:

With substructure

12. Power gas [kW]:

18.000

13. Ignition:

Piezo+veÄŤnÄŤ plamen

14. Type of gas:

Natural gas, propane butane

15. Protection of controls:

IPX5

16. Material:

Stainless steel

17. Standard equipment for device:

comes with a meat grate and a pack of lava stones

18. Power control type:

knob control

19. Grid material:

Stainless steel

20. Service accessibility:

Trough the frontal panel

21. Safety element:

thermocouple safety feature

22. Safety thermocouple:

Yes

23. Adjustable feet:

Yes

24. Additional information:

possibility to order a fish grate
door not included - can be purchased

25. Container for liquid fat:

Yes

26. Independent heating zones:

Separate control for each heating zone

27. Removable rim:

Yes

28. Removable grid:

Yes

Technical data sheet

Technical parameters



Lava stone grill gas 2 cooking areas 2x 38x52 on open cabinet

Model	SAP Code	00000406
--------------	-----------------	----------

29. Grid size [mm x mm]:

2 x 380 x 520

31. Top type:

Grooved

30. Removable burner:

Yes