

# Technical data sheet

## Product features



### Bain marie electric 2x GN 1/1 + 2x 1/3 - 150 with cabinet 400 V

<b>Model</b>	<b>SAP Code</b>	00012625
--------------	-----------------	----------



- Water inlet: mechanical tap
- Drain type: Trough the cabinet
- Drain: Yes
- Material: AISI 304
- Protection of controls: IPX5
- Maximum device temperature [°C]: 90

<b>SAP Code</b>	00012625	<b>Power electric [kW]</b>	5.700
<b>Net Width [mm]</b>	800	<b>Loading</b>	400 V / 3N - 50 Hz
<b>Net Depth [mm]</b>	900	<b>Number of GN / EN</b>	4
<b>Net Height [mm]</b>	900	<b>GN / EN size in device</b>	GN 1/1 + GN 1/3
<b>Net Weight [kg]</b>	68.00	<b>GN device depth</b>	150

# Technical data sheet

Technical drawing

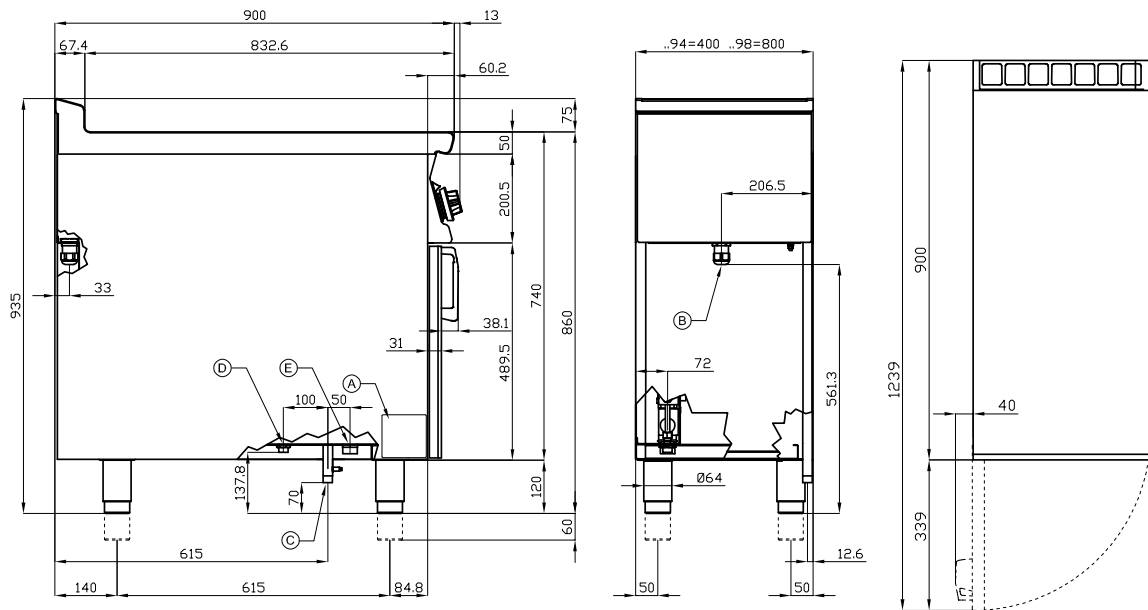


Bain marie electric 2x GN 1/1 + 2x 1/3 - 150 with cabinet 400 V

Model

SAP Code

00012625



A	Data plate		B	Electrical connection	
D	Cold water connection	ISO 7-1 1/2" M	E	Water drainage	ISO 7-1 1" M

# Technical data sheet

Product benefits



Bain marie electric 2x GN 1/1 + 2x 1/3 - 150 with cabinet 400 V

Model

SAP Code

00012625

1

## Deep-draft bathtubs

basins without sharp transitions, edges and corners

- easy maintenance
- perfect sanitation

2

## Controlling each bath separately

variability of use

- possibility to keep different foods at different temperatures

3

## All-stainless steel construction

harmless to health for contact with food  
robustness

- perfect sanitation
- long service life

4

## Drain valve with snap-on elbow for easy draining

safer placement of the drain valve

- valve positioning prevents unintentional contact and possible scalding

# Technical data sheet

Technical parameters



Bain marie electric 2x GN 1/1 + 2x 1/3 - 150 with cabinet 400 V

Model

SAP Code

00012625

**1. SAP Code:**

00012625

**2. Net Width [mm]:**

800

**3. Net Depth [mm]:**

900

**4. Net Height [mm]:**

900

**5. Net Weight [kg]:**

68.00

**6. Gross Width [mm]:**

830

**7. Gross depth [mm]:**

970

**8. Gross Height [mm]:**

1110

**9. Gross Weight [kg]:**

76.00

**10. Device type:**

Electric unit

**11. Construction type of device:**

With substructure

**12. Power electric [kW]:**

5.700

**13. Loading:**

400 V / 3N - 50 Hz

**14. Protection of controls:**

IPX5

**15. Device color:**

Stainless steel

**16. Material:**

AISI 304

**17. Indicators:**

operation and warm-up

**18. Worktop type:**

Molded - comfortable cleaning maintenance

**19. Maximum device temperature [°C]:**

90

**20. Minimum device temperature [°C]:**

30

**21. Safety thermostat:**

Yes

**22. Adjustable feet:**

Yes

**23. Heating element material:**

AISI 304

**24. Number of basins:**

1

**25. Ratio power/volume [kW/l]:**

3.00

**26. Water inlet:**

mechanical tap

**27. Drain type:**

Trough the cabinet

**28. Drain:**

Yes

# Technical data sheet

Technical parameters



**Bain marie electric 2x GN 1/1 + 2x 1/3 - 150 with cabinet 400 V**

<b>Model</b>	<b>SAP Code</b>	00012625
--------------	-----------------	----------

**29. Number of GN / EN:**

4

**31. GN device depth:**

150

**30. GN / EN size in device:**

GN 1/1 + GN 1/3