

# Technical data sheet

## Product features



### Tilting bratt pan electric

<b>Model</b>	<b>SAP Code</b>	00020396
--------------	-----------------	----------



- Bottom material: Steel - suitable for frying
- Bottom thickness: 12.00
- Basin volume [l]: 50
- Usable volume [l]: 50
- Tilting: Motorised
- Filling: Mechanical cock
- Type of pan: Tilting
- Protection of controls: IP24
- Service accessibility: Trough the frontal panel

<b>SAP Code</b>	00020396	<b>Loading</b>	400 V / 3N - 50 Hz
<b>Net Width [mm]</b>	800	<b>Bottom material</b>	Steel - suitable for frying
<b>Net Depth [mm]</b>	730	<b>Basin volume [l]</b>	50
<b>Net Height [mm]</b>	900	<b>Usable volume [l]</b>	50
<b>Net Weight [kg]</b>	157.40	<b>Tilting</b>	Motorised
<b>Power electric [kW]</b>	10.500		

# Technical data sheet

Technical drawing

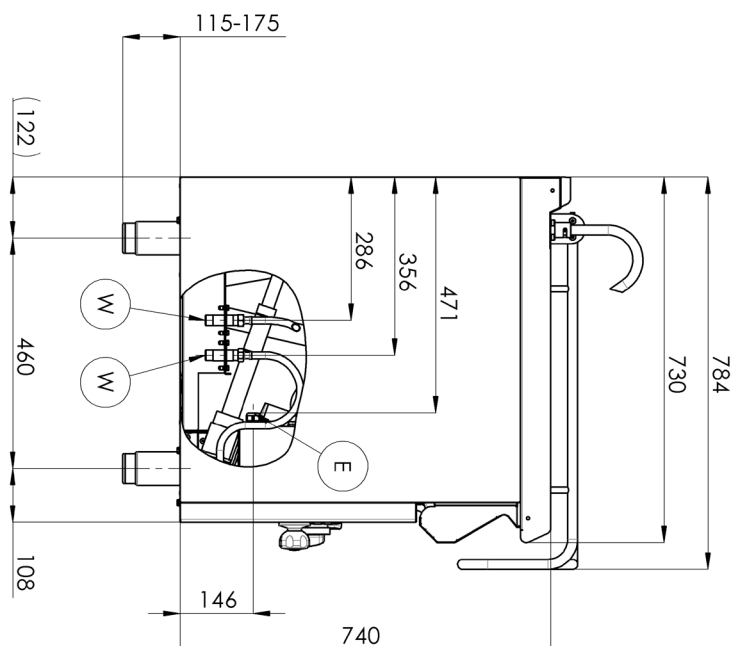
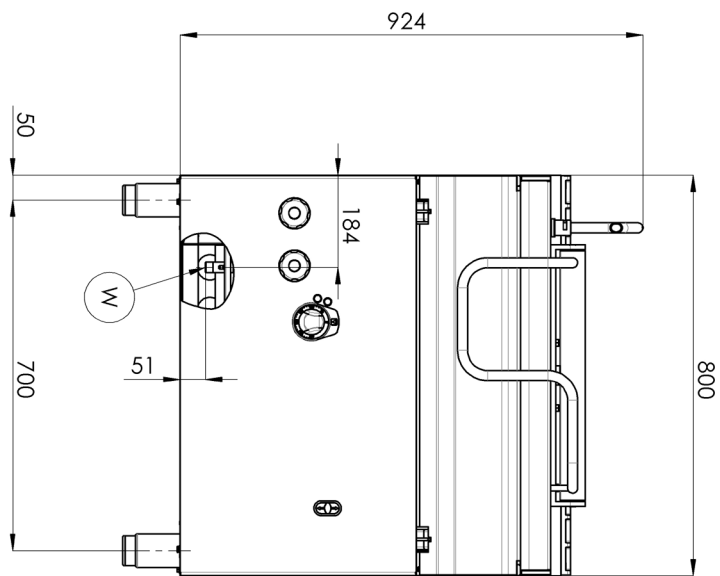


## Tilting bratt pan electric

Model

SAP Code

00020396



# Technical data sheet

Technical parameters



## Tilting bratt pan electric

**Model**

**SAP Code**

00020396

**1. SAP Code:**

00020396

**2. Article group:**

Hinged pans

**3. Net Width [mm]:**

800

**4. Net Depth [mm]:**

730

**5. Net Height [mm]:**

900

**6. Net Weight [kg]:**

157.40

**7. Gross Width [mm]:**

840

**8. Gross depth [mm]:**

800

**9. Gross Height [mm]:**

1080

**10. Gross Weight [kg]:**

167.50

**11. Device type:**

Electric unit

**12. Power electric [kW]:**

10.500

**13. Loading:**

400 V / 3N - 50 Hz

**14. Protection of controls:**

IP24

**15. Device color:**

Stainless steel

**16. Material:**

AISI 304 top plate and cladding

**17. Indicators:**

operation and warm-up

**18. Worktop type:**

Molded - comfortable cleaning maintenance

**19. Worktop material:**

AISI 304

**20. Worktop Thickness [mm]:**

1.50

**21. Basin volume [l]:**

50

**22. Maximum device temperature [°C]:**

300

**23. Minimum device temperature [°C]:**

50

**24. Service accessibility:**

Trough the frontal panel

**25. Safety thermostat:**

Yes

**26. Adjustable feet:**

Yes

**27. Tilting:**

Motorised

**28. Bottom thickness:**

12.00

# Technical data sheet

Technical parameters



## Tilting bratt pan electric

**Model**

**SAP Code**

00020396

### 29. Bottom material:

Steel - suitable for frying

### 32. Filling:

Mechanical cock

### 30. Type of pan:

Tilting

### 33. Water filling type:

Both cold and warm

### 31. Usable volume [l]:

50