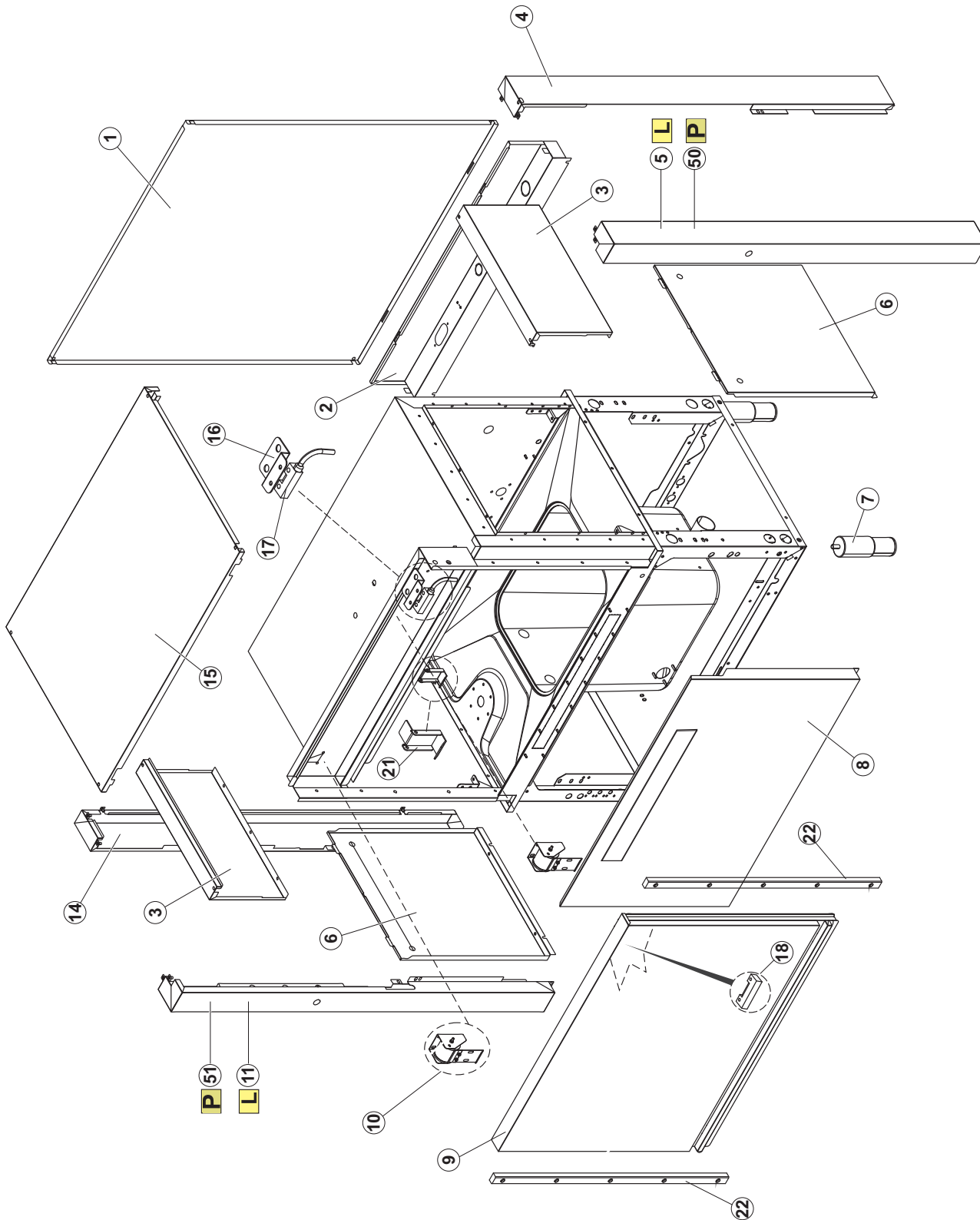


Rozkres



A 200 ABT LX, A 200 ABT RX, A 200 W ABT LX, A 200 W ABT RX

ROZKRES 1/10



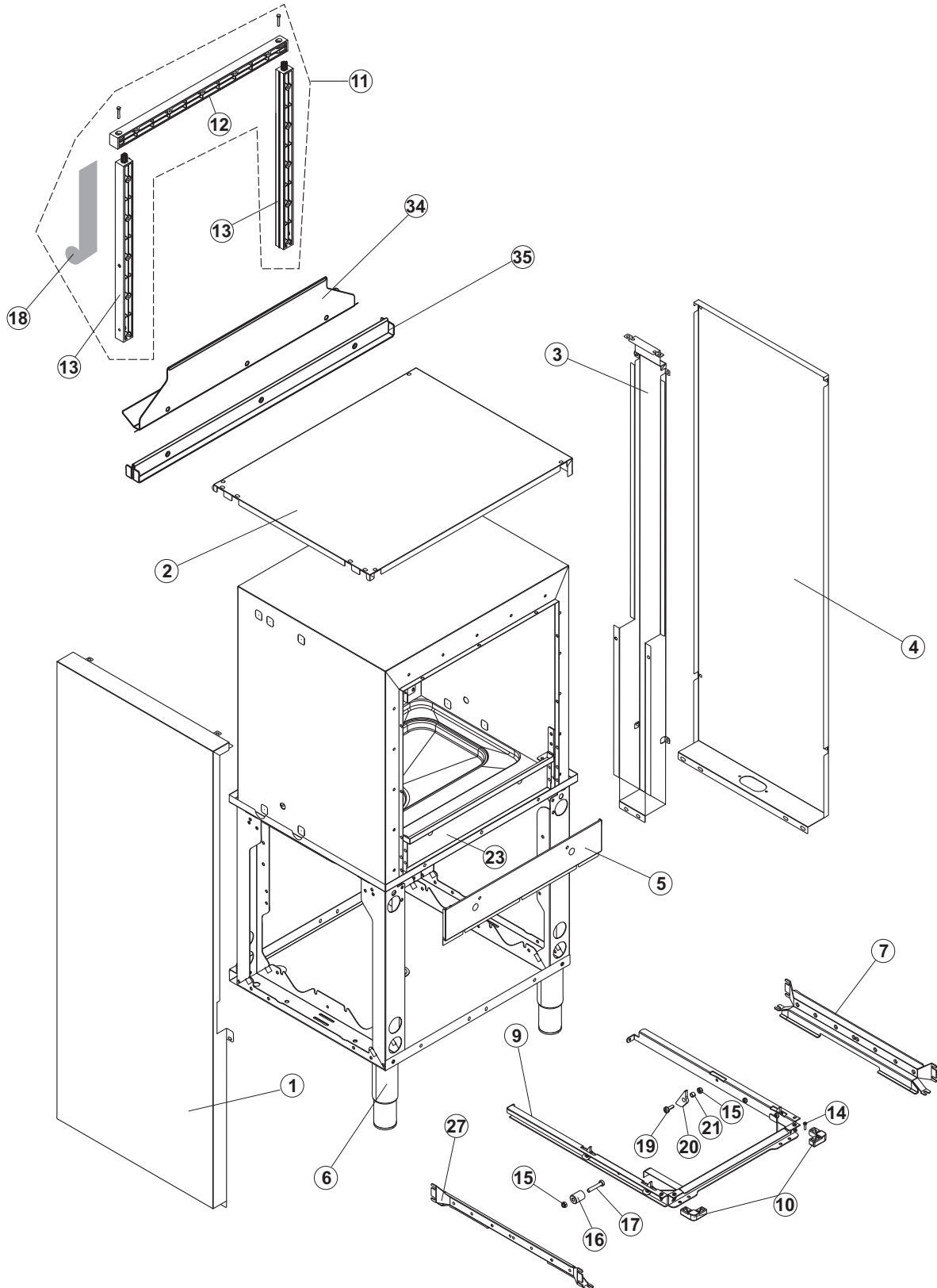
L		Výstup vlevo
P		Výstup vpravo

Rozkres

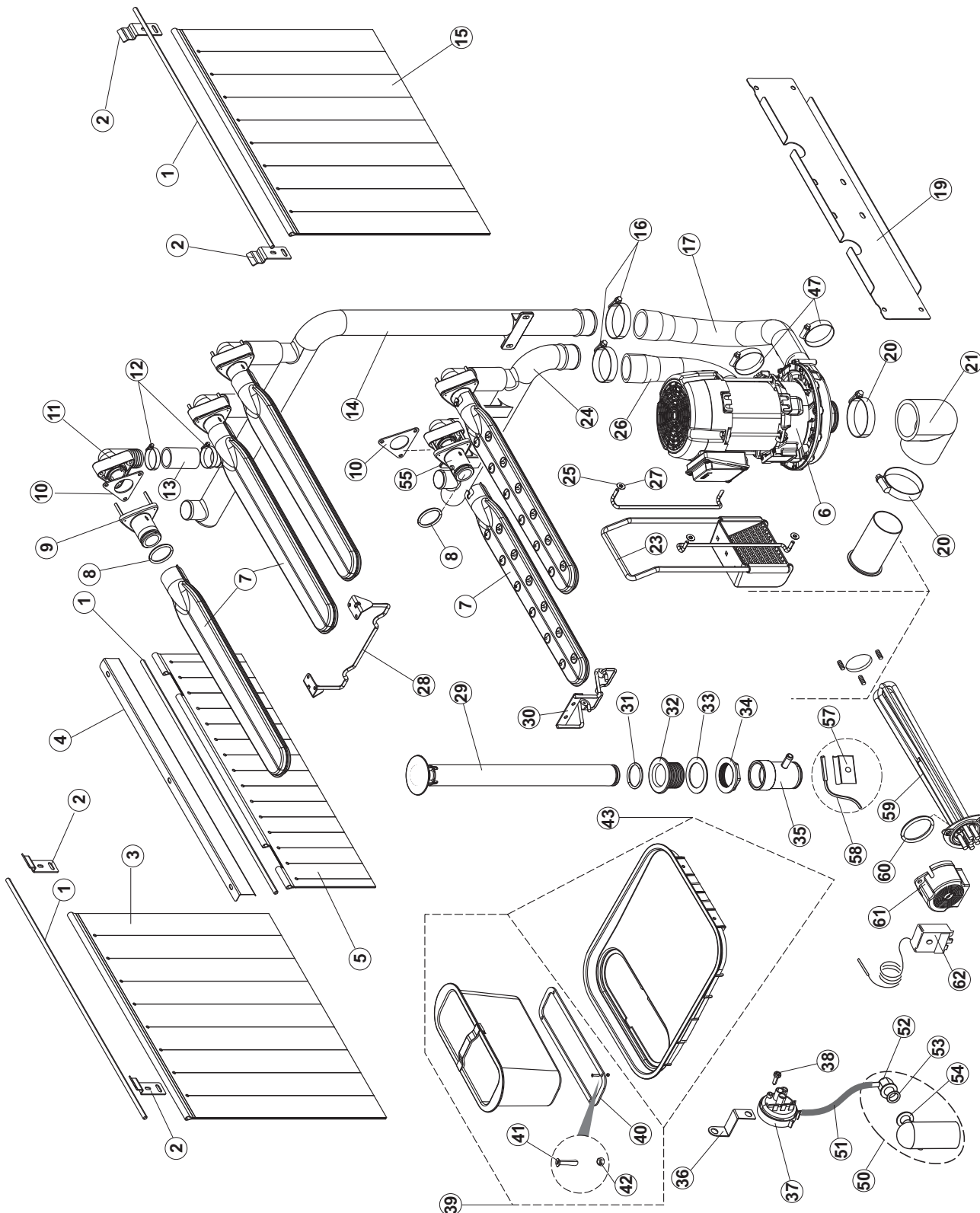


A 200 ABT LX, A 200 ABT RX, A 200 W ABT LX, A 200 W ABT RX

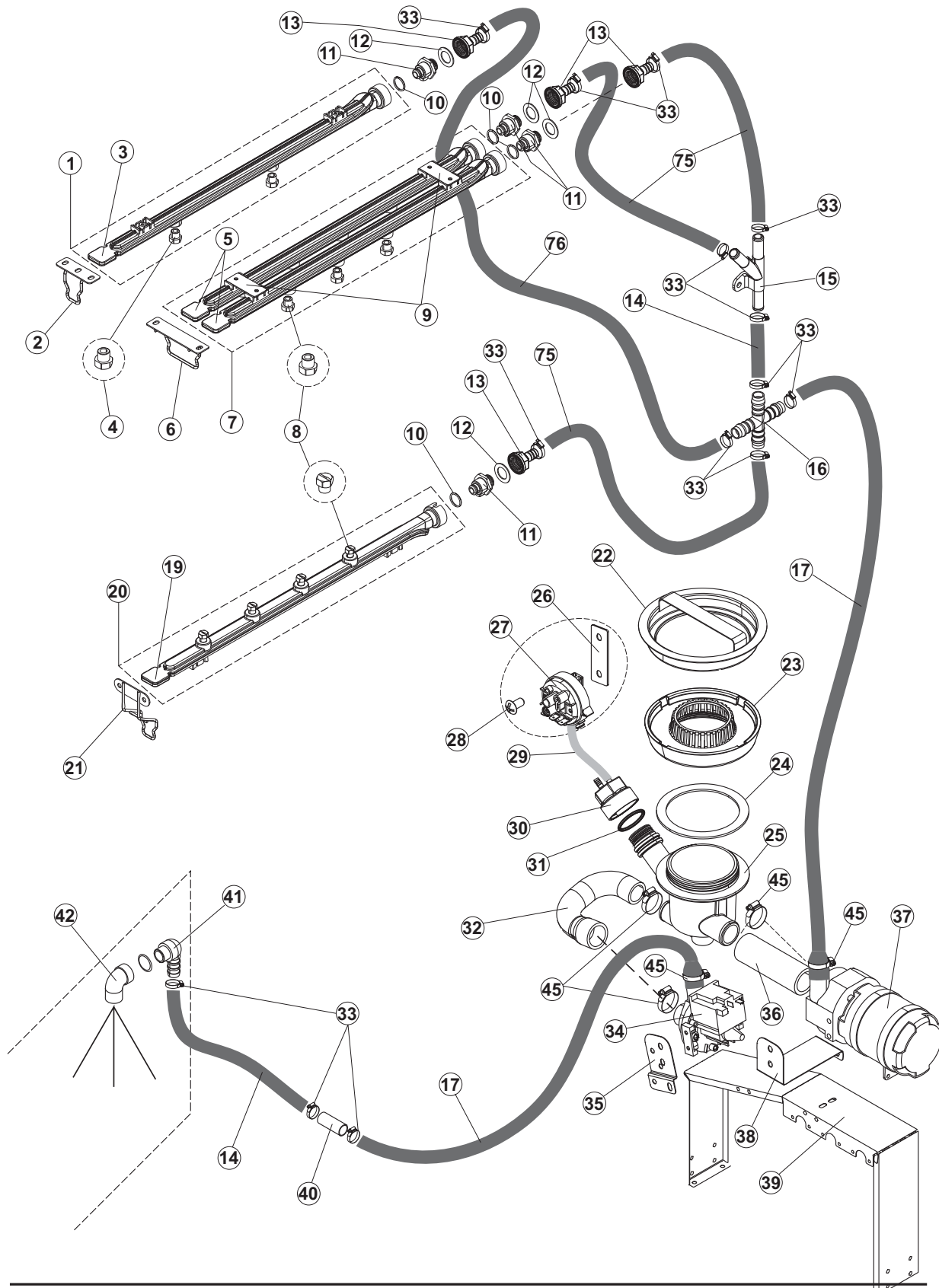
ROZKRES 2/10



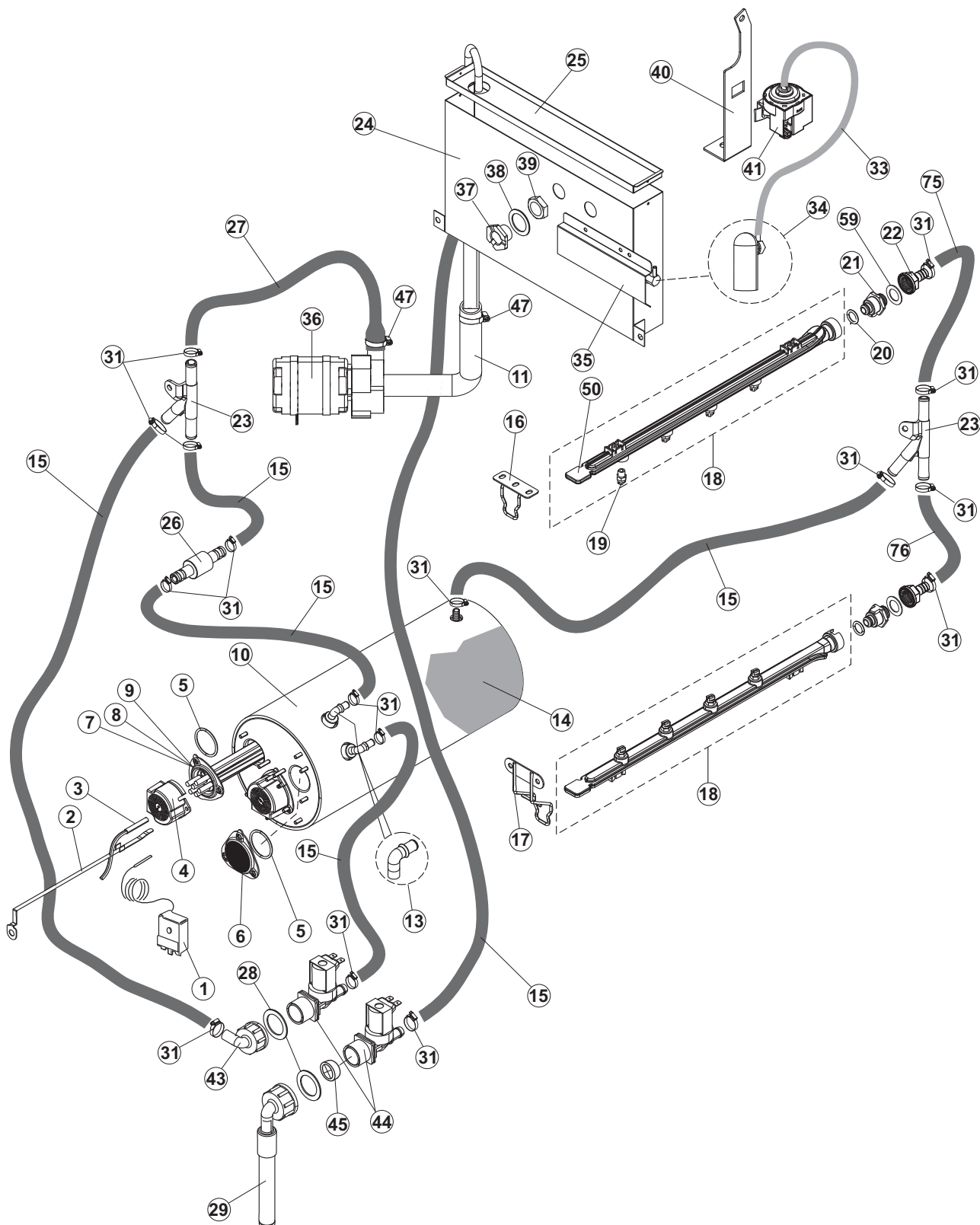
ROZKRES 3/10



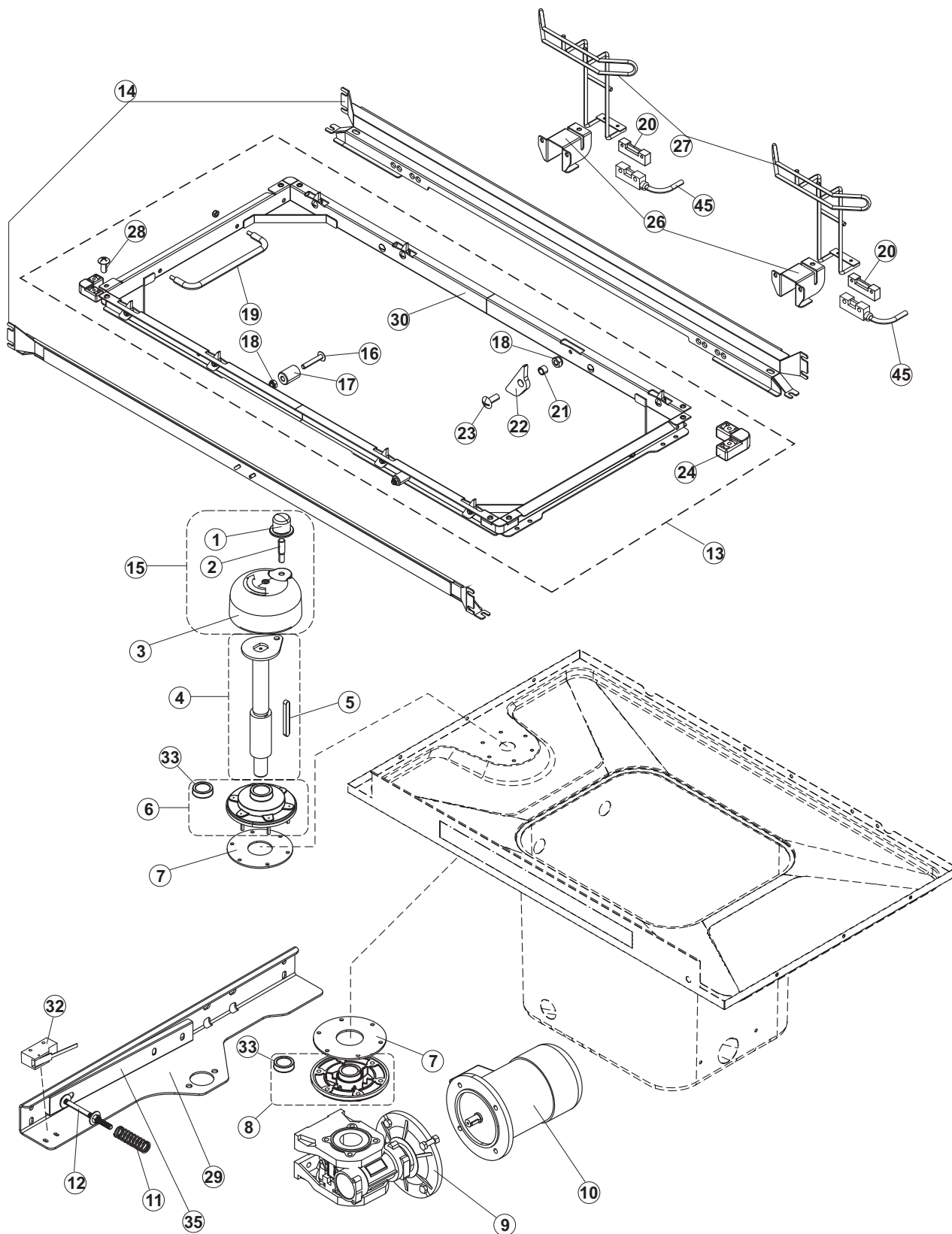
ROZKRES 4/10



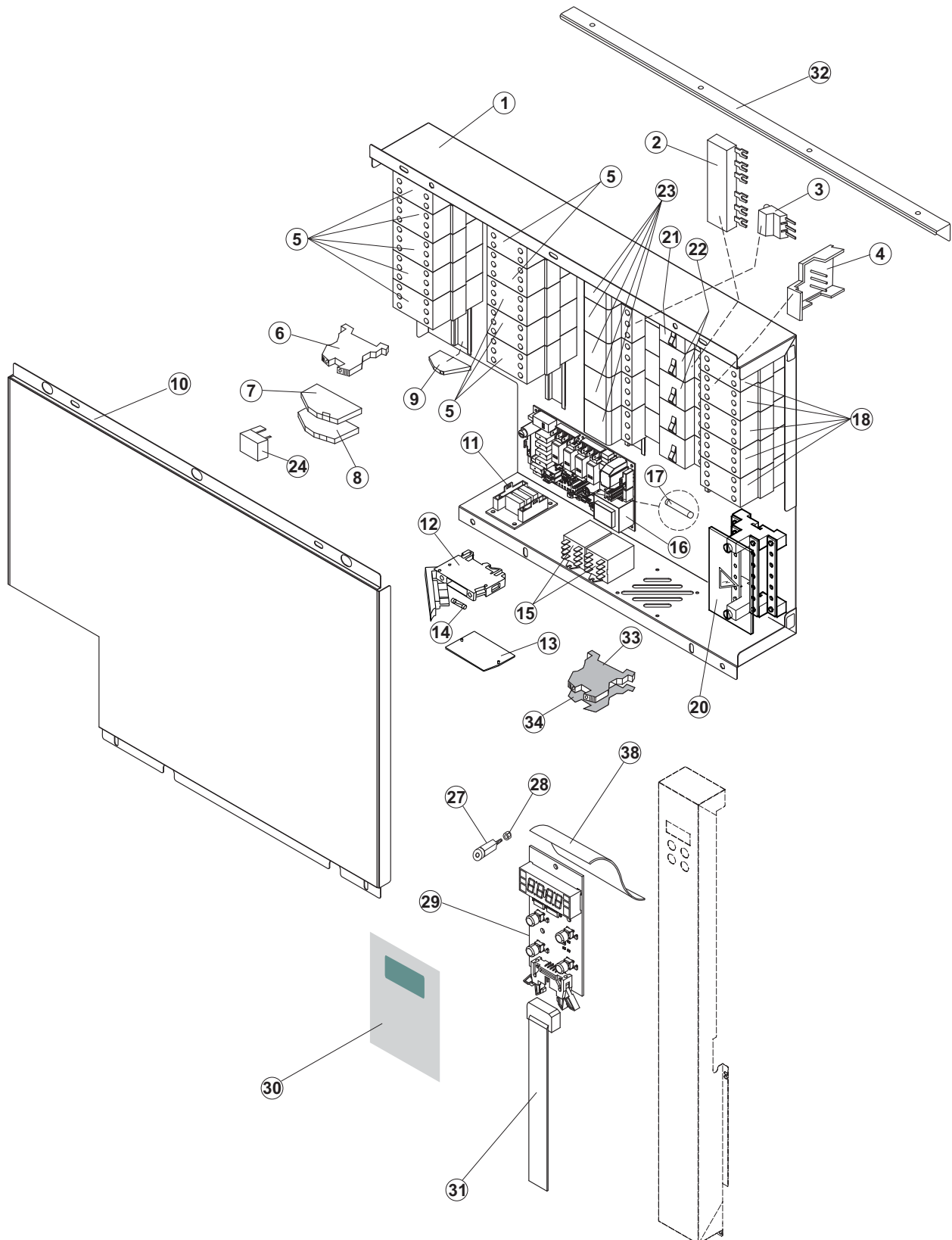
ROZKRES 5/10



ROZKRES 6/10



ROZKRES 7/10

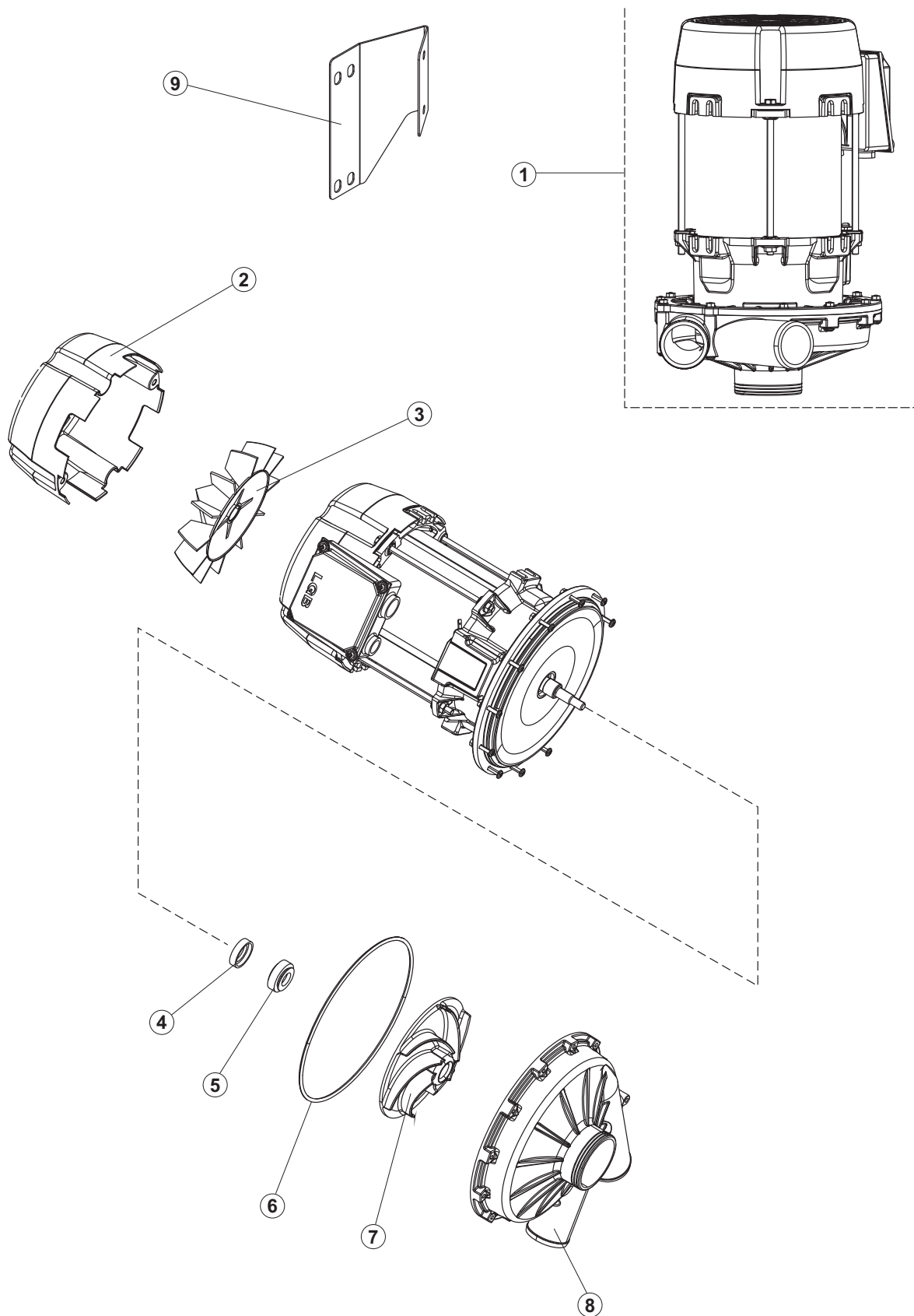


Rozkres

A 200 ABT LX, A 200 ABT RX, A 200 W ABT LX, A 200 W ABT RX



ROZKRES 8/10

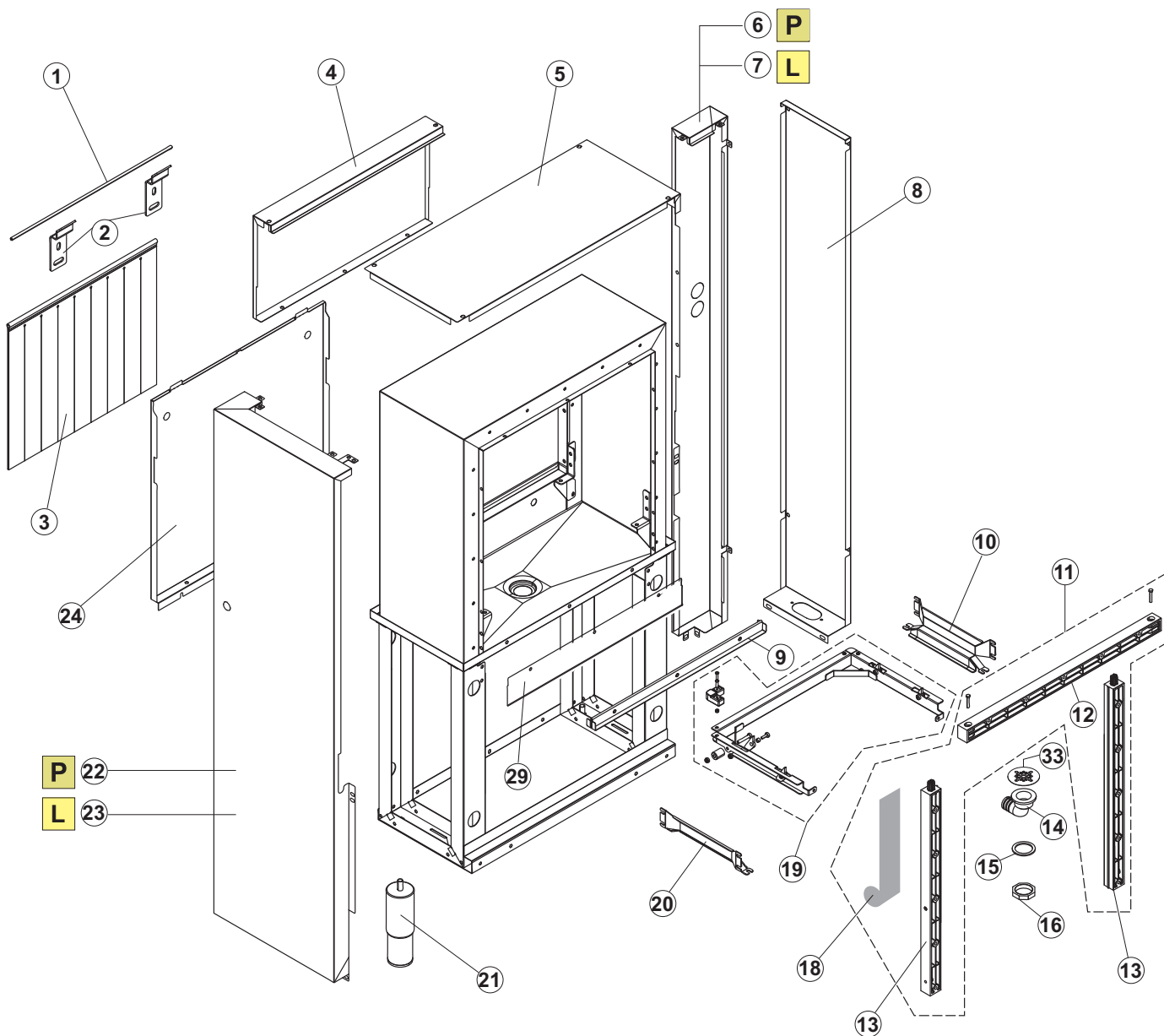


Rozkres



A 200 ABT LX, A 200 ABT RX, A 200 W ABT LX, A 200 W ABT RX

ROZKRES 9/10



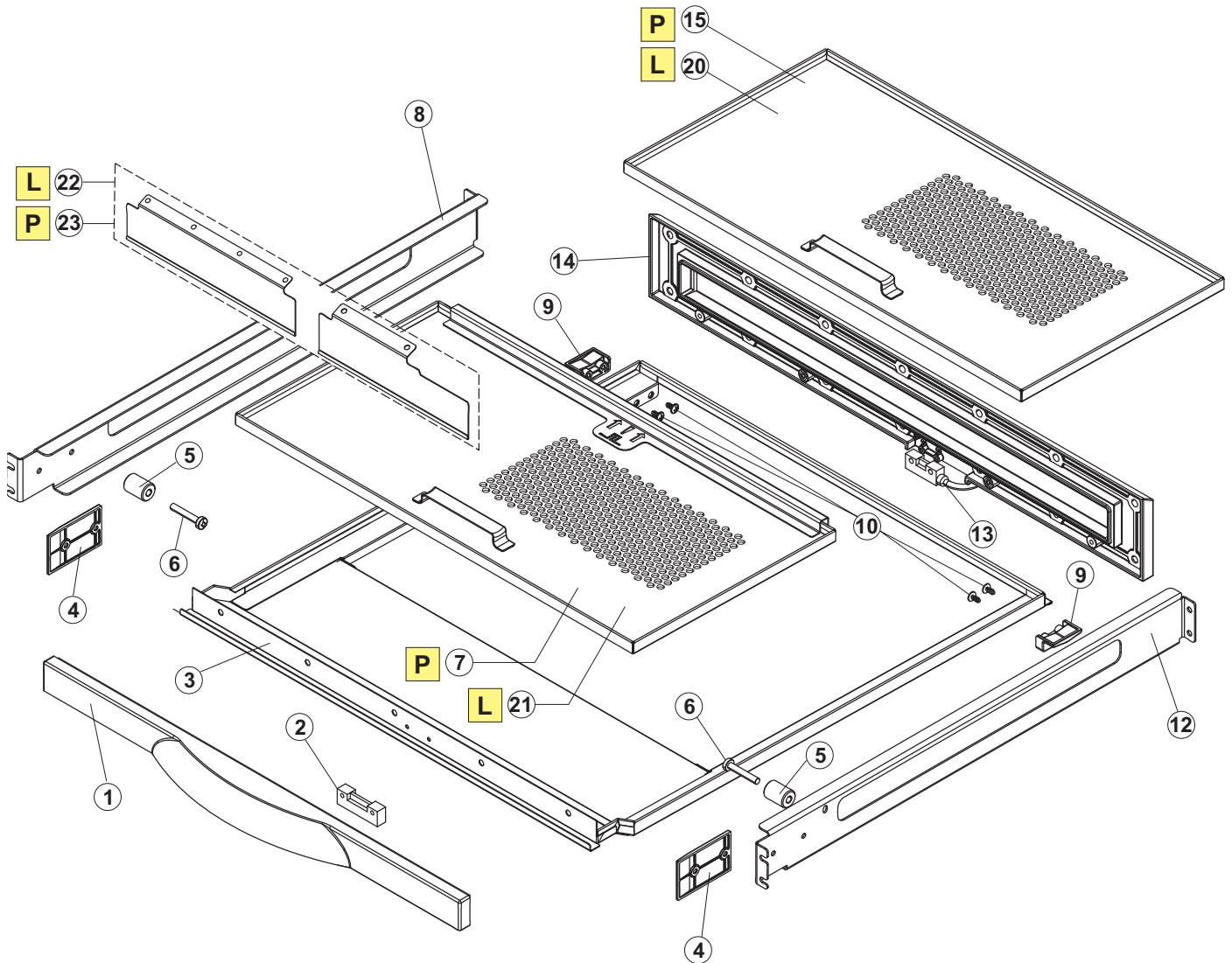
L		Výstup vlevo
P		Výstup vpravo

Rozkres



A 200 ABT LX, A 200 ABT RX, A 200 W ABT LX, A 200 W ABT RX

ROZKRES 10/10



L		Výstup vlevo
P		Výstup vpravo

ROZKRES	POZICE	POLOŽKA	ČÍSLO
1	1	NOT IN PRICE-LIST	65244
1	2	BACK PANEL	65080
1	3	FRONT PANEL	65035
1	4	CORNER REAR RIGHT PANEL	65258
1	5	RIGHT CORNER CONTROL PANEL	65331
1	6	SIDE PANEL	65054
1	7	FOOT	73100
1	8	FRONT PANEL	65287
1	9	KIT DOOR WASH UNIT	K65282
1	10	DOOR SPRING KIT	65654
1	11	CORNER FRONT RIGHT PANEL	65338
1	14	CORNER REAR LEFT PANEL	65259
1	15	TOP PANEL	65050
1	16	BRACKET	65256
1	17	MAGNETIC DOOR SWITCH	80871
1	18	MAGNET FOR HOOD MICROSWITCH	927088
1	21	DOOR SAFETY HOOK FOR RACK-CONVEYOR	75064
1	22	SLIDES CONVEYOR DOOR	75647
1	50	SUPPORTING UPRIGHT	65337
1	51	NOT IN PRICE-LIST	65231
2	1	NOT IN PRICE-LIST	65096
2	2	TOP PANEL	65541
2	3	NOT IN PRICE-LIST	65618
2	4	NOT IN PRICE-LIST	65081
2	5	LOWER ESTERNAL FRONT PANEL - FINISHED	75307
2	6	FOOT	73100
2	7	RACK SLIDE	65052
2	9	TOWING RACK	65370
2	10	SLED CART TOWING	75075
2	11	KIT GROUP FRAME JUNCTION TOWING MODULE	K65049
2	12	HORIZONTAL BAR	65047
2	13	VERTICAL L BAR	65045

ROZKRES	POZICE	POLOŽKA	ČÍSLO
2	14	STAINLESS STEEL SCREW 4MAX10 TBCR-SP	486169
2	15	NUT - SELF-LOCK	CDI206AU
2	16	BUFFER FOR DRIVE STOP	75076
2	17	SCREW	75310
2	18	GASKET	65997
2	19	SCREW, INOX SPEC.6MAX16 T.1/2 T. POELIER	CVI172
2	20	RACK CONVEYOR COG	75071
2	21	BUSH	75077
2	23	INNER LOWER FRONT PANEL - FINISHED PART	65308
2	27	RACK SLIDE	65052
2	34	NOT IN PRICE-LIST	65646
2	35	BRACKET UNION TANKS	65055
3	1	CURTAIN SUPPORT FOR RACK-CONVEYOR DISH-	75124
3	2	SUPPORT BRACKET	65128
3	3	CURTAIN	65210
3	4	CURTAIN SUPPORTING BRACKET	65162
3	5	CURTAIN	65211
3	6	WASHPUMP	65600
3	7	COMPLETE WASH ARM	65265
3	8	O-RING	CGR4131NT
3	9	CONNECTING ARM	75645
3	10	GASKET	437050
3	11	PIPE FITTING	75155
3	12	NOT IN PRICE-LIST	CFS32
3	13	DELIVERY WASH HOSE	75154
3	14	PIPE	65177
3	15	CURTAIN	65210
3	16	CLAMP, TORRO W1/W2B 50-70/12	CFS2
3	17	PIPE	65624
3	19	BRACKET	65330
3	20	CLAMP, HOSE-TYPE TORRO W2B 60-80/12	CFS3
3	21	PIPE ELBOW	926056

ROZKRES	POZICE	POLOŽKA	ČÍSLO
3	23	PUMP ASPIRATION FILTER	75661
3	24	PIPE + PARZ.77018	K65176
3	25	ASPIRATION FILTER SLIDE	42092
3	26	PIPE	65623
3	27	WASHER	472061
3	28	BRACKET	65293
3	29	OVERFLOW PIPE	75864
3	30	SUPPORT BRACKET WASH ARM	65212
3	31	O-RING	CGR4131NT
3	32	DRAIN CONNECTION	75871
3	33	GASKET	75873
3	34	NUT WASTE DRAIN	75872
3	35	DRAIN FITTING (PLASTIC)	75639
3	36	NOT IN PRICE-LIST	DAS20206
3	37	PRESSURE SWITCH	926049
3	38	SCREW	CVZ4
3	39	COLLECTING FILTER WITH WEIGHT	75429
3	40	WEIGHT FOR BASKET STAINER	75428
3	41	SCREW, INOX 4MAX10 TC/CROSS	CVI1101
3	42	NUT - SELF-LOCK	417091
3	43	TANK FLAT STAINLESS STEEL FILTER	65200
3	47	HOSE CLAMP	CFS1A
3	50	AIR TRAP, ASSY	984005
3	51	LINEN RUBBER PIPE 5X12 - BLACK	143005
3	52	AIR TRAP CONNECTION OF PRESSURE SWITCH	468029
3	53	O-RING	456020
3	54	PACKING FOR AIR TRAP OF PRESSURE SWITCH	437019
3	55	CONNECTING ARM	75648
3	57	SUPPORT TEMPERATURE PROBE	H.775489-001
3	58	TEMPERATURE PROBE	231016
3	59	HEATING ELEMENT 10500W 230/400V	80397C
3	60	O-RING	456002

ROZKRES	POZICE	POLOŽKA	ČÍSLO
3	61	BOILER HEATING ELEMENT PROTECTION	69870
3	62	THERMOSTAT	927057
4	1	RINSE ARM	65787
4	2	BRACKET	65593
4	3	RINSE ARM	65515
4	4	STAINLESS STEEL RINSE SPRAY NOZZLE	77068
4	5	RINSE ARM	65523
4	6	BRACKET	65585
4	7	RINSE ARM	65784
4	8	STAINLESS STEEL NOZZLE - FIRST RINSING	927309
4	9	BRACKET	65527
4	10	O-RING 2050 12.42X1.78 EPDM 70SH A	65727
4	11	BRACKET	65015
4	12	GASKET ES/AM VERDE 33X21X1,5	65749
4	13	PIPE FITTING	66945
4	14	RUBBER PIPE 12X19,5	143010
4	15	JUNCTION "Y"	143268
4	16	MAINFOLD	77060
4	17	RINSE DELIVERY TUBE(CRP)	41525
4	19	RINSE ARM	65521
4	20	RINSE ARM	65785
4	21	SUPPORT BRACKET RINSE ARM	65588
4	22	STAINER	65975
4	23	RING NUT	429077
4	24	GASKET	437107
4	25	ASPIRATION AND DRAIN BODY	136029
4	26	NOT IN PRICE-LIST	20206PZ
4	27	PRESSURE SWITCH 140/95	65813
4	28	SCREW	CVZ4
4	29	PIPE	143131
4	30	AIR TRAP FOR PRESSURE SWITCH	107013
4	31	O-RING	456073

ROZKRES	POZICE	POLOŽKA	ČÍSLO
4	32	DRAIN HOSE	127115
4	33	HOSE CLAMP	927322
4	34	DRAIN PUMP90- V 220/240- F50	999363
4	35	NOT IN PRICE-LIST	65663
4	36	NOT IN PRICE-LIST	65805
4	37	ELECTROPUMP	929167
4	38	NOT IN PRICE-LIST	65667
4	39	NOT IN PRICE-LIST	65660UN
4	40	STEEL TUBE	65806
4	41	BRASS RUBBER-PIPE HOLDER CONNECTION 3/8	929163
4	42	UNION ELBOW 3/8" AISI316	65876
4	45	NOT IN PRICE-LIST	CFS32
4	75	RINSE PIPE L 200 RACC 90	65747-A
4	76	RINSE PIPE L 580 RACC 90	65747-C
5	1	THERMOSTAT	927057
5	2	PROBE HOLDER	69871
5	3	TEMPERATURE PROBE	231016
5	4	BOILER HEATING ELEMENT PROTECTION	69870
5	5	O-RING	456002
5	6	CLOSED FLANGE CAP (170880543)	926053
5	7	HEATING ELEMENT 6KW	230083C
5	8	KIT HEATING ELEMENTS REB230020 (8KW)	230020C
5	9	READY-TO-ASSEMBLE KIT FOR HEATING	80398C
5	10	BOILER	65700
5	11	PIPE	65069
5	13	PIPE FITTING	65018
5	14	COVER INSULATION	65245
5	15	RUBBER PIPE 12X19,5	143010
5	16	BRACKET	65582
5	17	SUPPORT BRACKET RINSE ARM	65588
5	18	RINSE ARM	65786
5	19	STAINLESS STEEL RINSE SPRAY NOZZLE	65950

ROZKRES	POZICE	POLOŽKA	ČÍSLO
5	20	O-RING 2050 12.42X1.78 EPDM 70SH A	65727
5	21	INTERNAL RINSE PIPE FITTING AISI303	65883
5	22	PIPE FITTING	66945
5	23	JUNCTION "Y"	143268
5	24	BREAK TANK	65388
5	25	COVER	65390
5	26	FLOW REDUCER	65607
5	27	RINSE DELIVERY TUBE(CRP)	41525
5	28	GASKET	437041
5	29	INLET HOSE	143277
5	31	HOSE CLAMP	927322
5	33	PIPE	143131
5	34	AIR TRAP, ASSY	984005
5	35	SPLASH PROTECTION	41059
5	36	ELECTROPUMP	929167
5	37	RING NUT	429036
5	38	PACKING FOR DRAIN UNIT RING NUT (S6666)	437025
5	39	NUT - CHROMIUM PLATED	CDO134CR
5	40	NOT IN PRICE-LIST	75621
5	41	PRESSURE SWITCH	224031
5	43	PIPE CONNECTION	927326
5	44	SOLENOID VALVE	240016
5	45	FLOW REDUCER	75976
5	47	NOT IN PRICE-LIST	CFS32
5	50	RINSE ARM	65545
5	59	GASKET ES/AM VERDE 33X21X1,5	65749
5	75	RINSE PIPE L 200 RACC 90	65747-A
5	76	RINSE PIPE L 380 RACC 90	65747-B
6	1	WASHER	75058
6	2	PIVOT	75234
6	3	SPLASH PROTECTION	75649
6	4	GEAR SHAFT CONVEYOR	65235

Rozkres



A 200 ABT LX, A 200 ABT RX, A 200 W ABT LX, A 200 W ABT RX

Číslo produktu	Model produktu	Název produktu
00010033	A 200 ABT LX	Myčka tunelová 200 košů za hodinu na horkou vodu, výstup vlevo
00014496	A 200 ABT RX	Myčka tunelová 200 košů za hodinu na horkou vodu, výstup vpravo
00013730	A 200 W ABT LX	Myčka tunelová 200 košů za hodinu na studenou vodu, výstup vlevo
00014494	A 200 W ABT RX	Myčka tunelová 200 košů za hodinu na studenou vodu, výstup vpravo