

Technical data sheet

Product features



Fry-top griddle plate 79x52 electric chromed grooved on open cabinet 400 V

Model	SAP Code	00001116
--------------	-----------------	----------



- Top type: Grooved
- Griddle dimensions [mm x mm]: 760 x 510
- Griddle thickness [mm]: 14.00
- Worktop material: Super chrom
- Container for liquid fat: Yes
- Independent heating zones: Separate control for each heating zone
- Maximum device temperature [°C]: 300
- Removable rim: Yes

SAP Code	00001116	Power electric [kW]	11.100
Net Width [mm]	800	Loading	400 V / 3N - 50 Hz
Net Depth [mm]	705	Griddle dimensions [mm x mm]	760 x 510
Net Height [mm]	900	Top type	Grooved
Net Weight [kg]	97.00	Worktop type	Molded - comfortable cleaning maintenance

Technical data sheet

Technical drawing

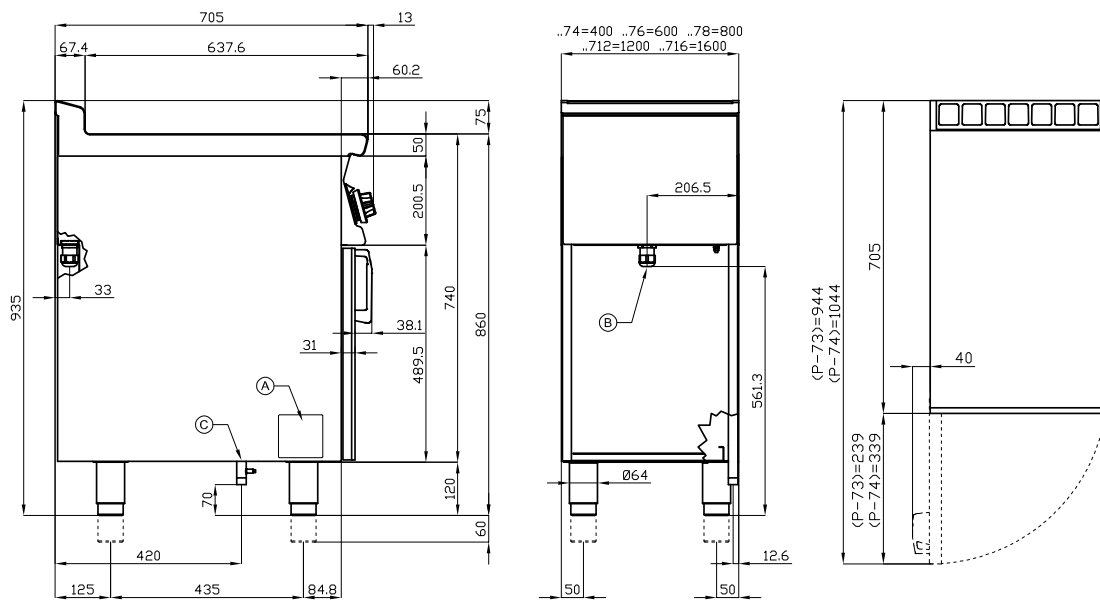


Fry-top griddle plate 79x52 electric chromed grooved on open cabinet 400 V

Model

SAP Code

00001116



A	Data plate	B	Electrical connection
---	------------	---	-----------------------

Technical data sheet

Product benefits



Fry-top griddle plate 79x52 electric chromed grooved on open cabinet 400 V

Model

SAP Code

00001116

1

All-stainless design

long life
resistance of AISI 304 stainless steel material
the material does not cut

- savings on service interventions
- easier and faster operation

2

Degree of protection of the control elements IPX5

maintenance-free system
resistance to splash water
long life

- savings on service interventions
- easy cleaning and maintenance of equipment

3

Outlet for waste liquids

ensures that oil drips into the socket

- easy maintenance
- easy cleaning

4

High detachable hem

better hygienic conditions
preventing grease from splashing onto
ancillary equipment

- easy maintenance
- easy cleaning

5

Grooved plate made of chrome-plated steel

the product bakes less and is easier to clean
a good warming of the meat with a groove

- time-saving in food preparation
- easy preparation of good-looking food

6

Surface treatment "Superchrom"

a thicker layer of protective chrome applied with
new technology

- the top is more scratch resistant
- more convenient and faster handling of food
on the plate
- the possibility of preparing more delicate
types of food
- the plate does not get dirty, does not swell

Technical data sheet

Technical parameters



Fry-top griddle plate 79x52 electric chromed grooved on open cabinet 400 V

Model

SAP Code

00001116

1. SAP Code:

00001116

2. Net Width [mm]:

800

3. Net Depth [mm]:

705

4. Net Height [mm]:

900

5. Net Weight [kg]:

97.00

6. Gross Width [mm]:

830

7. Gross depth [mm]:

770

8. Gross Height [mm]:

1110

9. Gross Weight [kg]:

110.00

10. Device type:

Electric unit

11. Construction type of device:

Stationary

12. Power electric [kW]:

11.100

13. Loading:

400 V / 3N - 50 Hz

14. Protection of controls:

IPX5

15. Device color:

Stainless steel

16. Material:

Stainless steel

17. Indicators:

operation and warm-up

18. Worktop type:

Molded - comfortable cleaning maintenance

19. Worktop material:

Super chrom

20. Worktop Thickness [mm]:

2.00

21. Maximum device temperature [°C]:

300

22. Minimum device temperature [°C]:

50

23. Power control type:

knob control

24. Service accessibility:

Trough the frontal panel

25. Safety element:

safety thermostat

26. Safety thermostat:

Yes

27. Adjustable feet:

Yes

28. Additional information:

door not included - can be purchased

Technical data sheet

Technical parameters



Fry-top griddle plate 79x52 electric chromed grooved on open cabinet 400 V

Model

SAP Code

00001116

29. Griddle dimensions [mm x mm]:

760 x 510

33. Removable rim:

Yes

30. Griddle thickness [mm]:

14.00

34. Uniform heating:

Yes

31. Container for liquid fat:

Yes

35. Top type:

Grooved

32. Independent heating zones:

Separate control for each heating zone