

Technical data sheet

Product features



Cooking range vodní gas with static gas oven GN 2/1 - 4x burner

Model	SAP Code	00007149
--------------	-----------------	----------



- Device type: Gas unit
- Power consumption of the zone 1 [kW]: 8,5
- Power consumption of the zone 2 [kW]: 8,5
- Power consumption of the zone 3 [kW]: 5,5
- Power consumption of the zone 4 [kW]: 5,5
- Ignition: Eternal flame
- Type of internal part of the appliance 1 (eg oven): Gas
- Type of internal part of the appliance 2 (eg oven): Static
- Protection of controls: IPX5
- Material: AISI 304

SAP Code	00007149	Power consumption of the zone 2 [kW]	8,5
Net Width [mm]	800	Power consumption of the zone 3 [kW]	5,5
Net Depth [mm]	900	Power consumption of the zone 4 [kW]	5,5
Net Height [mm]	900	Type of internal part of the appliance 1 (eg oven)	Gas
Net Weight [kg]	154.00	Type of internal part of the appliance 2 (eg oven)	Static
Power gas [kW]	36.500	Width of internal part [mm]	680
Type of gas	Natural gas, propane butane	Depth of internal part [mm]	730
Number of zones	4	Height of internal part [mm]	340
Power consumption of the zone 1 [kW]	8,5		

Technical data sheet

Technical drawing

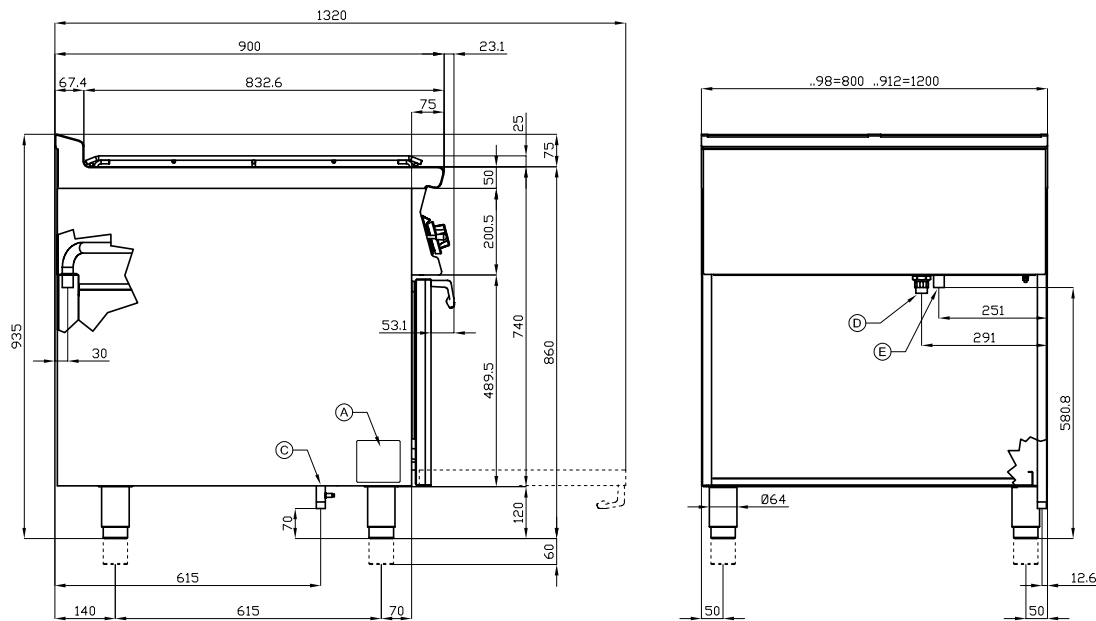


Cooking range vodní gas with static gas oven GN 2/1 - 4x burner

Model

SAP Code

00007149



A	Data plate		C	Gas connection	ISO 7-1 3/4" M
D	Cold water connection	ISO 7-1 3/4" M	E	Water drainage	Ø25mm

Technical data sheet

Product benefits



Cooking range vodní gas with static gas oven GN 2/1 - 4x burner

Model	SAP Code	00007149
-------	----------	----------

1

Massive construction of burners

high performance and efficiency
cast iron burners removable
long life

- energy saving (perfect combustion)
- time saving for food preparation
- easy maintenance/cleaning

2

Hygienic moldings of the top plate

absence of sharp corners and edges (potential places where dirt could stick)
smooth transitions

- easy quick cleaning

3

Degree of protection of the control elements IPX5

maintenance-free system
resistance to splash water
long life

- savings on service interventions
- easy cleaning and maintenance of equipment

4

All-stainless design

the material does not cut
wear resistance of the material
long life

- savings on service interventions
- easy cleaning and maintenance of equipment

5

Safety element - thermocouple

safe operation for personnel
there is no overheating and damage to the thallus
long life

- savings on service interventions
- easier and faster operation

6

Container for liquids under the burners

long service life of the surface, food residues fall into the water
material resistance

- savings on service interventions
- easy cleaning and maintenance of equipment

7

Large electric oven with four positions for racks with static cooking

static baking
high capacity and variability
all-stainless design

- suitable for yeast dishes and desserts
- long service life
- easy to clean

Technical data sheet

Technical parameters



Cooking range vodní gas with static gas oven GN 2/1 - 4x burner

Model

SAP Code

00007149

1. SAP Code:

00007149

2. Net Width [mm]:

800

3. Net Depth [mm]:

900

4. Net Height [mm]:

900

5. Net Weight [kg]:

154.00

6. Gross Width [mm]:

830

7. Gross depth [mm]:

970

8. Gross Height [mm]:

1110

9. Gross Weight [kg]:

166.00

10. Device type:

Gas unit

11. Construction type of device:

With substructure

12. Power gas [kW]:

36.500

13. Ignition:

Eternal flame

14. Type of gas:

Natural gas, propane butane

15. Protection of controls:

IPX5

16. Device color:

Stainless steel

17. Material:

AISI 304

18. Worktop type:

Molded - comfortable cleaning maintenance

19. Worktop material:

AISI 304

20. Worktop Thickness [mm]:

2.00

21. Number of zones:

4

22. Power consumption of the zone 1 [kW]:

8,5

23. Power consumption of the zone 2 [kW]:

8,5

24. Power consumption of the zone 3 [kW]:

5,5

25. Power consumption of the zone 4 [kW]:

5,5

26. Number of power control stages:

6

27. Service accessibility:

From the back

28. Safety thermocouple:

Yes

Technical data sheet

Technical parameters



Cooking range vodní gas with static gas oven GN 2/1 - 4x burner

Model

SAP Code

00007149

29. Safety thermostat up to x ° C:

360

30. Adjustable feet:

Yes

31. Number of burners/hot plates:

4

32. Type of gas cooking zones:

Classic

33. Burner type:

Brass, detachable

34. Oven Type:

gas static

35. Oven size:

GN 2/1

36. Oven material:

Stainless steel

37. Type of internal part of the appliance 1 (eg oven):

Gas

38. Type of internal part of the appliance 2 (eg oven):

Static

39. Width of internal part [mm]:

680

40. Depth of internal part [mm]:

730

41. Height of internal part [mm]:

340

42. Gasket:

Yes

43. Maximum temperature of the inner chamber [°C]:

300

44. Minimum temperature of the inner chamber [°C]:

150

45. Inner ignition:

Piezoelectric

46. Number of internal parts:

4