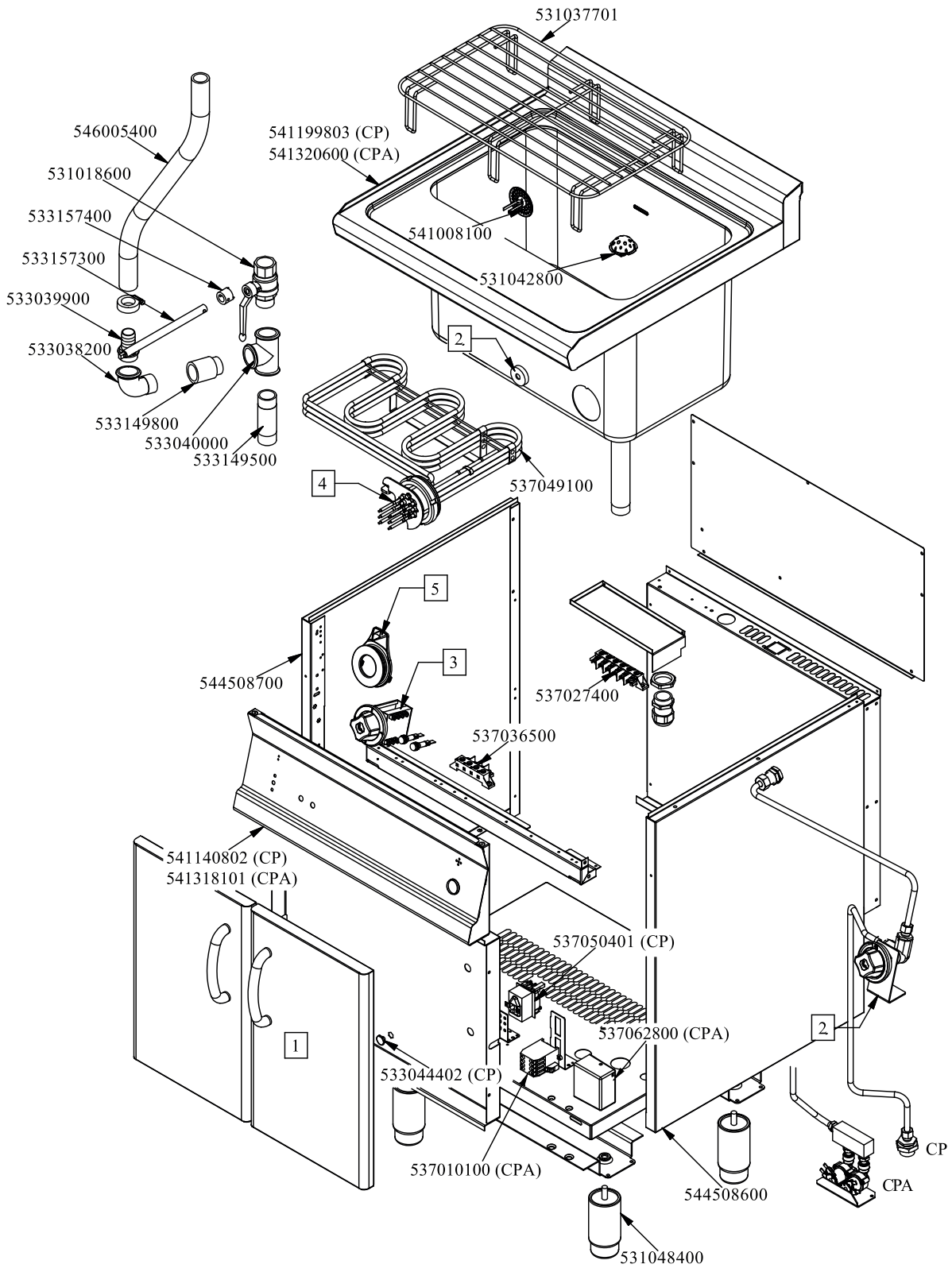
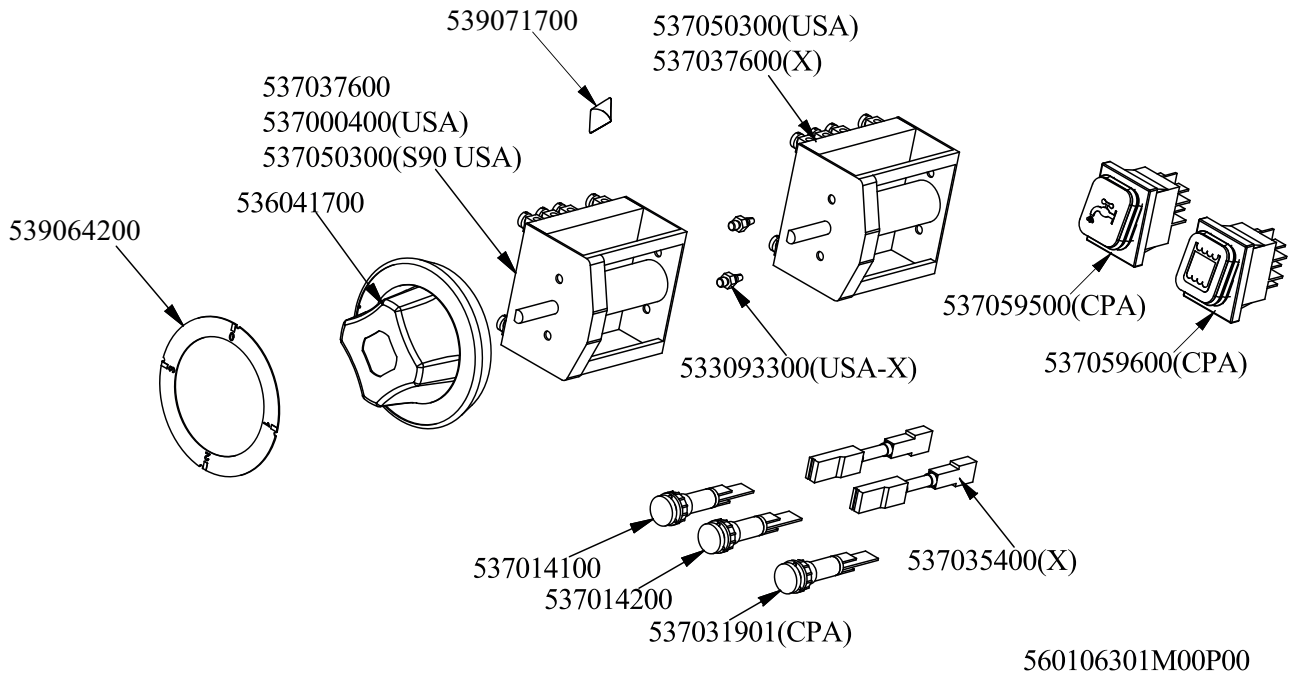


RM 600
 Platný od 1.5. 2019
 CP-66ET



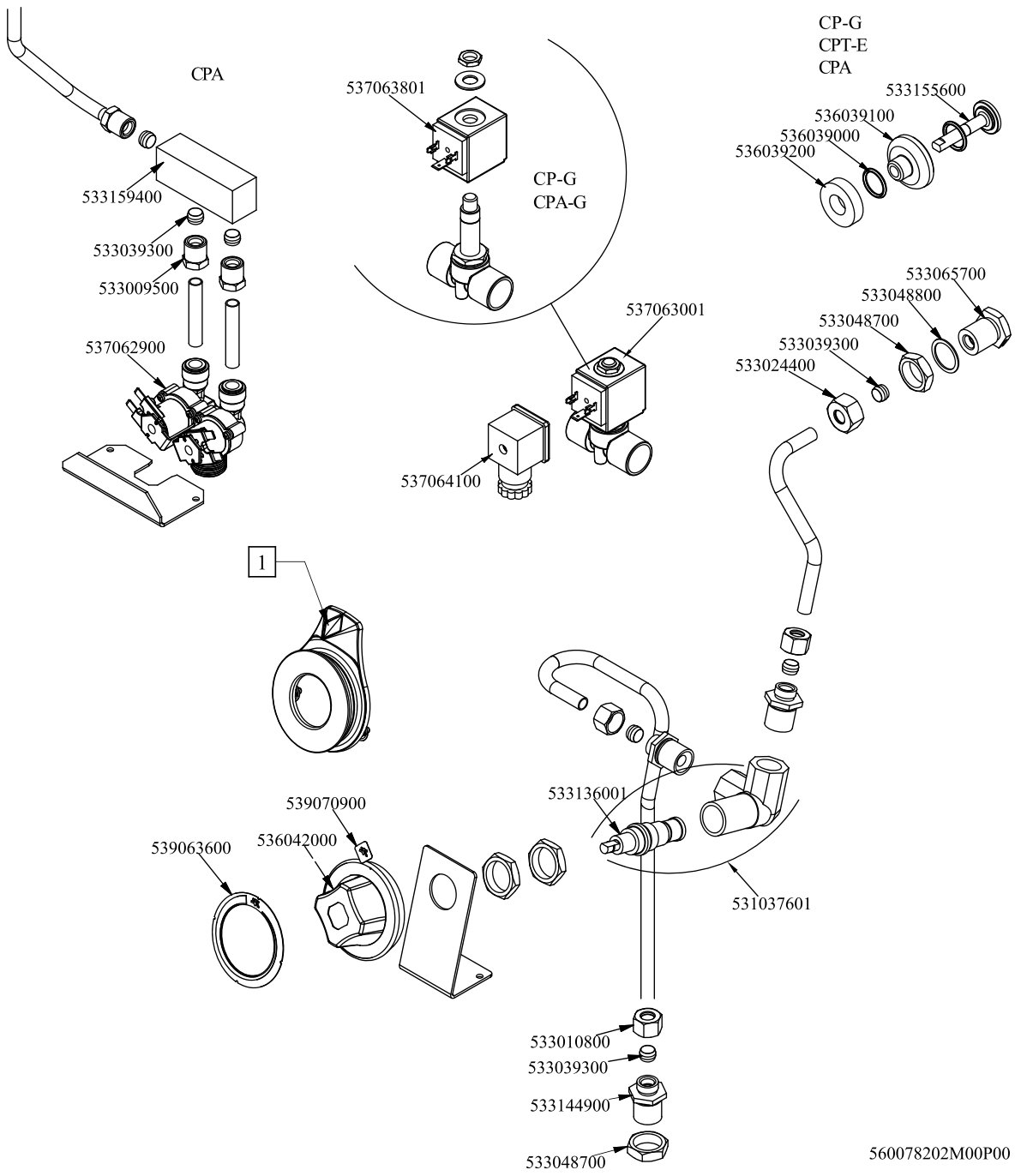


Objednací kód	Popis v ENG
531037701	BASKET SUPPORT GRID CP S.90
537049100	COVERED HEATING ELEMENT CP76 13500W
541008100	DRAIN FILTER TANK CP 700LINE
531042800	SEMISPHERE FILTER
537027400	TERMINAL BLOCK THREEPHASE 40A
537050401	SAFETY THERMOSTAT 185°C THREEPHASE
533044402	M8 THREADED CAP FOR SEC.THERMOSTAT
537036500	TERMINAL BLOCK 4POLES 40A SCREW-SCR
544508700	
544508600	
531048400	INOX LEG Ø1"3/4 100-165 M10
541140802	
541199803	
546005400	RUBBER TUBE §25INT.*§33EXT.*L=470
533039900	PIPE HOLDER 1" G M D.24
533157300	
533157400	
531018600	BALL VALVE 1"G M-F CPM-62G
533038200	1" G M-F ELBOW FITTING
533149500	
533149800	
533040000	1"G F-F-F "T" FITTING
-	-
-	-
-	-
-	-
-	-



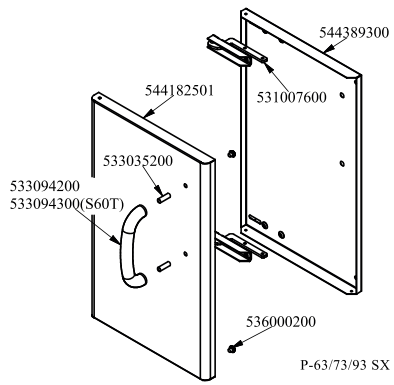


Objednačí kód	Popis v ENG
536041700	SILVER CHROM. KNOB Ø77 4P.G.Ø06X4,6
537014100	WHITE WARNING LIGHT 250V
537014200	GREEN WARNING LIGHT 250V
537037600	COMMUTATOR 4 POS.3PHASE S.43 32A
537000400	COMMUTATOR 1POS.SINGLEPHASE S49 16A
537050300	COMMUTAT.4POS.3PHASE 43 32A CP UL
539065800	BLACK ADESIVE DISK FOR CPT-ET
539063800	ADHESIVE DISK 72 4 P.DRAIN COCK USA
533093300	LOCKING PIN SWITCH S.43 THERMOST
537059500	P.D. BLUE SWITCH
537059600	
537031901	RED WARNING LIGHT PCI 12V E FASTON
537050300	COMMUTAT.4POS.3PHASE 43 32A CP UL
537037600	COMMUTATOR 4 POS.3PHASE S.43 32A
537035400	HEATING ELEMENT 00003W 330KOHM W/F
539071700	ADHES.LABEL FOR RING GREEN SIGN.

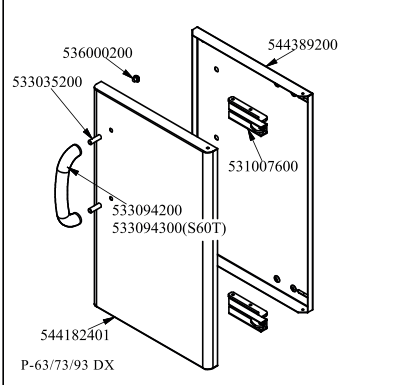




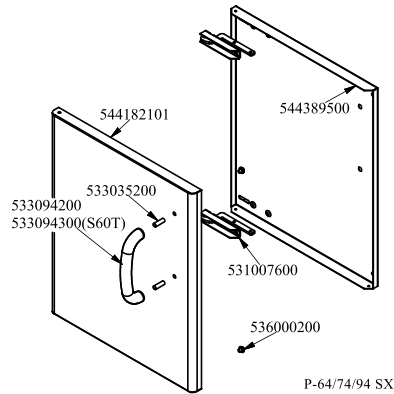
Objednací kód	Popis v ENG
539063600	ADHESIVE DISK 72 FOR DRAIN COCK
539054200	STAMP Ø20,5 CR."L" LOTUS R.
536042000	SILVER CHROM. KNOB Ø77 4P.G.Ø8SX6,5
539070900	ADHES.LABEL FOR RING WATER TAP
533136001	SCREW TAP WATER LOAD FOR CP S70/90
533024400	HEXAGONAL NUT 1/2G TUBE D.10
533039300	BICONE §10
533048700	NUT 1/2G ZN
533048800	GASKET §30*§21*2 FIBRE
533065700	FITTING FOR WATER INPUT 1/2G
533010800	TUBE NUT D.10 M16*1,5
531037601	TAP FOR WATER 90°DX CP
537062900	ELECTRO-VALVE 3/4GM-2Ø10JG 230V RPV
533009500	NIPPLE FOR BICONE 10S
533159400	
536039000	GASKET O-RING 12,42X1,78 SILIC.
536039100	GUIDE FOR WATER SENSOR
533155600	PIVOT SENSOR FOR WATER
536039200	SPACER FOR WATER SENSOR
537064100	CONNECTION * ELECTROVALVE 537063001
537063801	
537063001	ELECTROVALVE G 1/2 230V
533144900	MALE FITTING WATER INLET M16X1,5
-	-



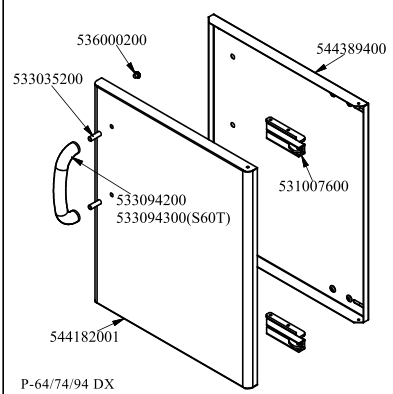
P-63/73/93 SX



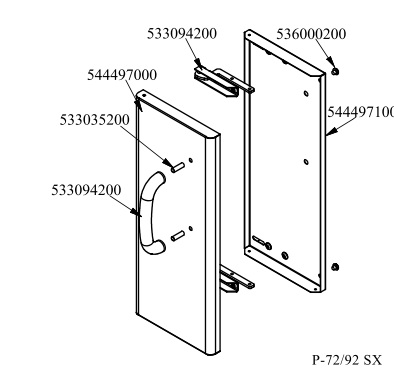
P-63/73/93 DX



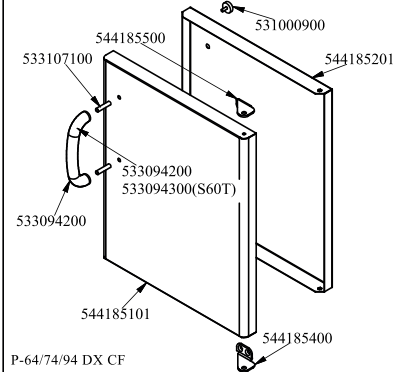
P-64/74/94 SX



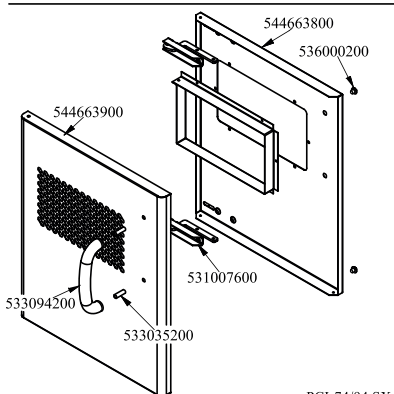
P-64/74/94 DX



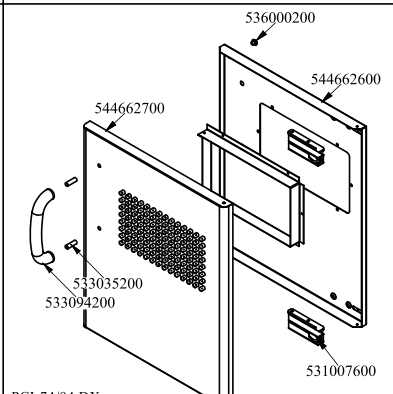
P-72/92 SX



P-64/74/94 DX CF



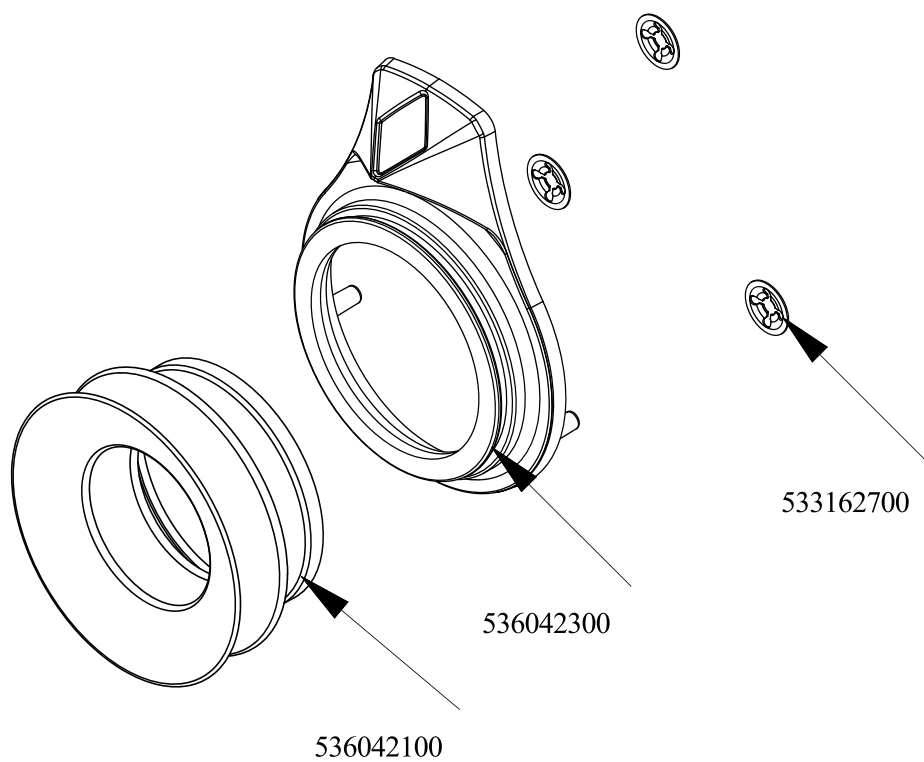
PCI-74/94 SX



PCI-74/94 DX



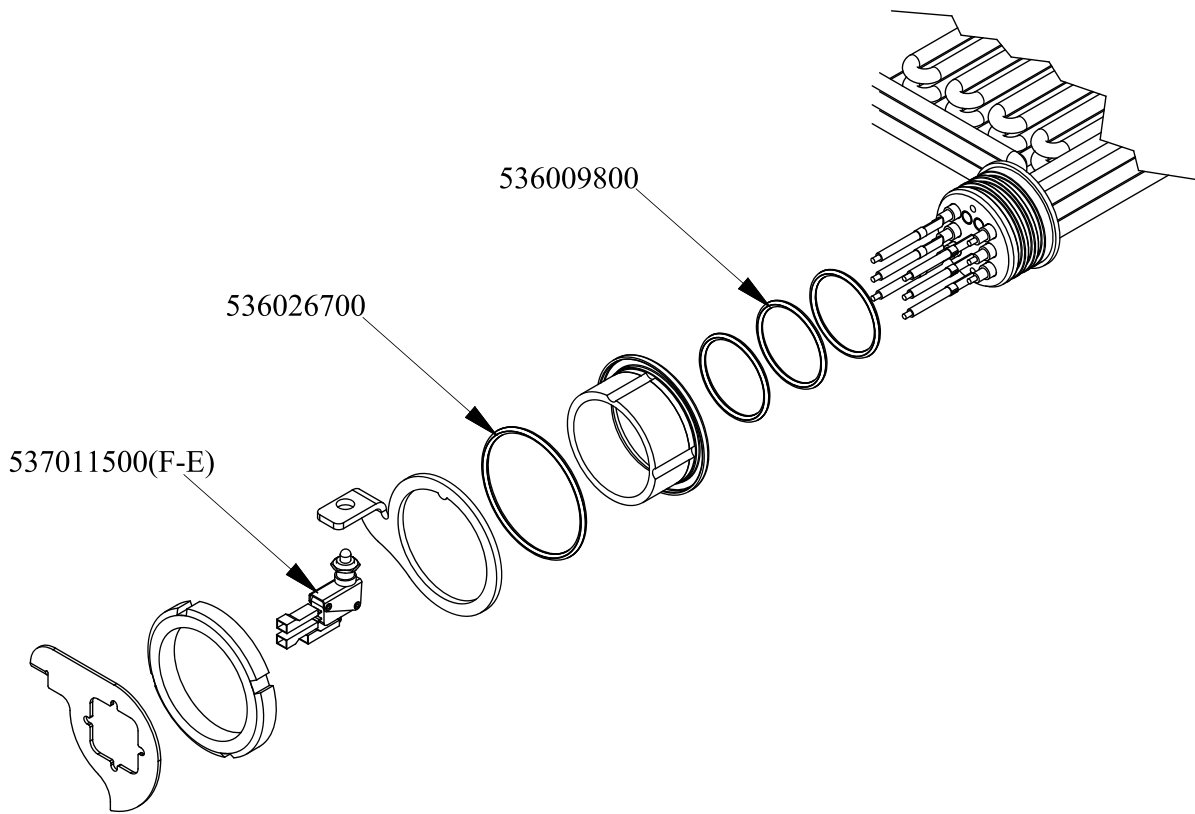
Objednací kód	Popis v ENG
544185101	RIGHT DOOR 74 CF
533107100	HANDLE SPACER OF CF-70
533094200	S/S HANDLE FOR 70/90 SERIES
544185400	LOWER DOOR HINGE FOR COMPARTME CF70
544185500	UPPER DOOR HINGE FOR COMPARTME CF70
544185201	INNER DOOR * 74DX
531000900	MAGNET §22 KG.3 WITH DISK
536000200	D.12 H.4 BUMPER
544182001	RIGHT DOOR 74
531007600	DOOR HINGE
544389400	
533035200	HANDLE SPACER
544182101	LEFT DOOR 74
544389500	INNER-DOOR OF LHD 74
544182401	RIGHT DOOR 73
544389200	
544389300	
544182501	LEFT DOOR 73
544497000	
544497100	
544663900	LHD 74 DOOR FOR PCI
544663800	74 LHD OVEN INNER DOOR FOUR PCI
544662700	DOOR 74 DX PCI
544662600	
533094300	S/S HANDLE FOR 600T.LINE



560125700M00P00



Objednací kód	Popis v ENG
536042300	SILVER CHROM. RING FOR KNOB Ø77 4 P
536042100	SEAL CASING FOR KNOB Ø77 4 P
533162700	PROCESSING CODE



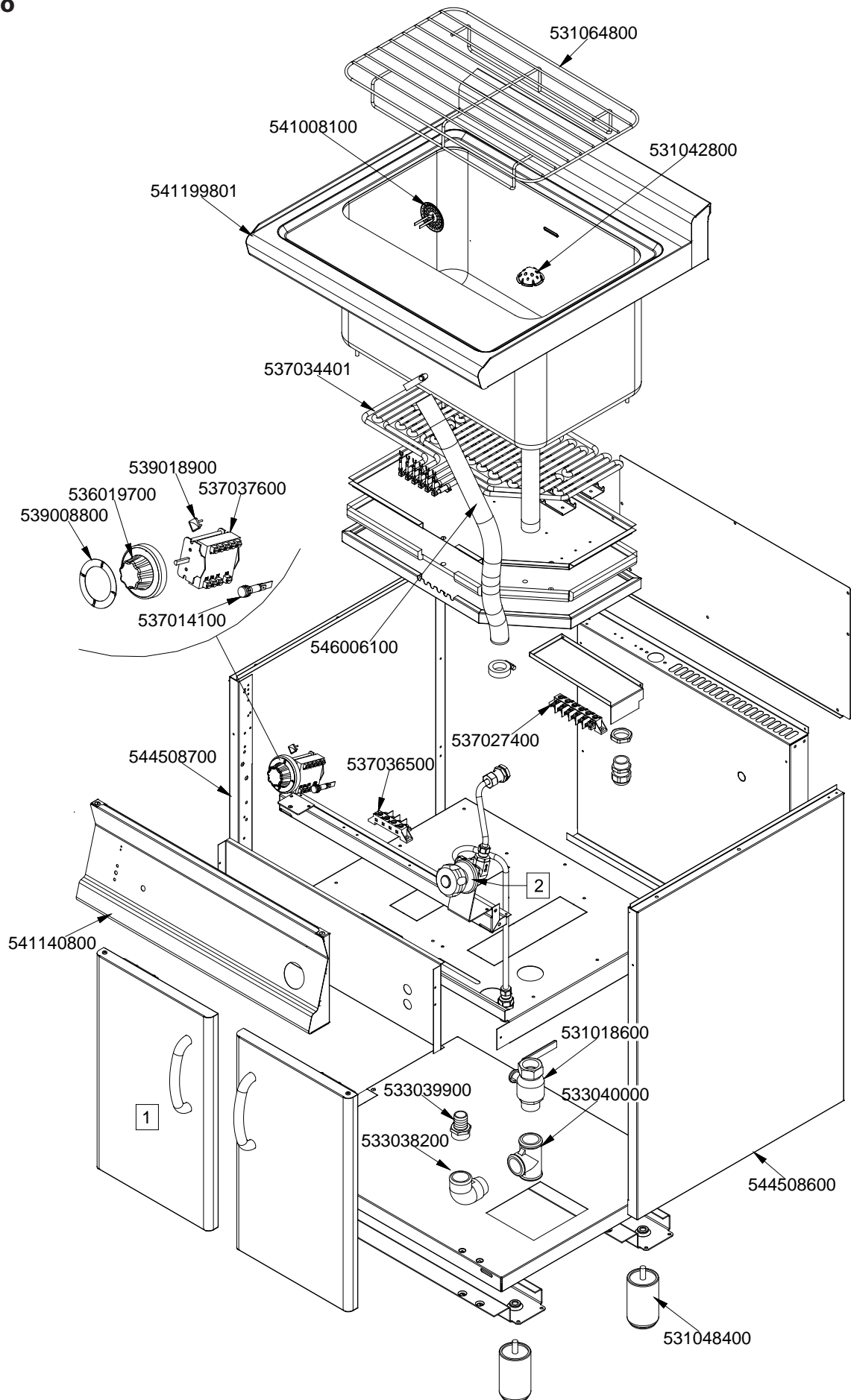
560111000M00P00



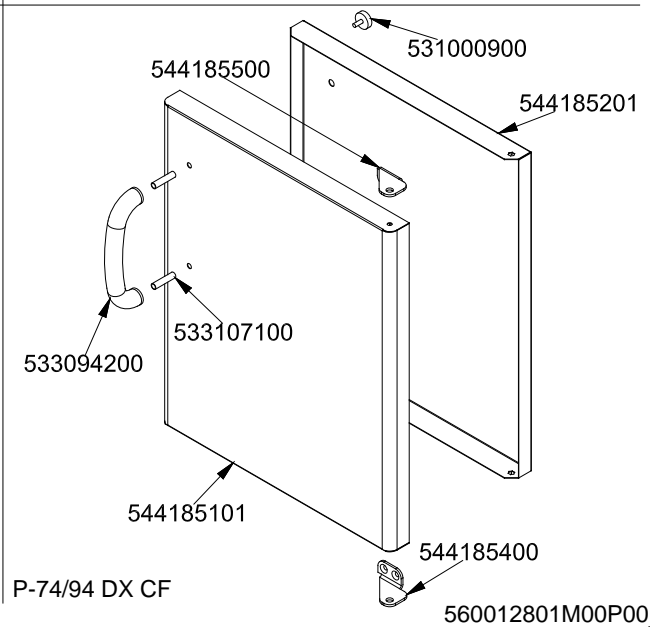
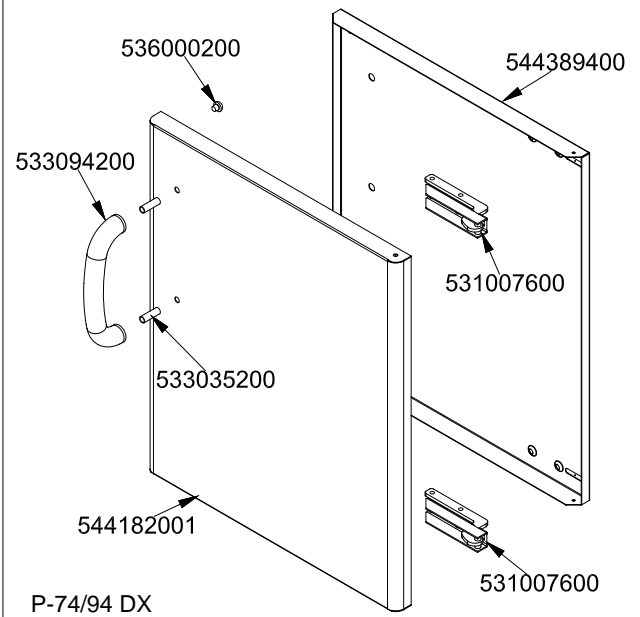
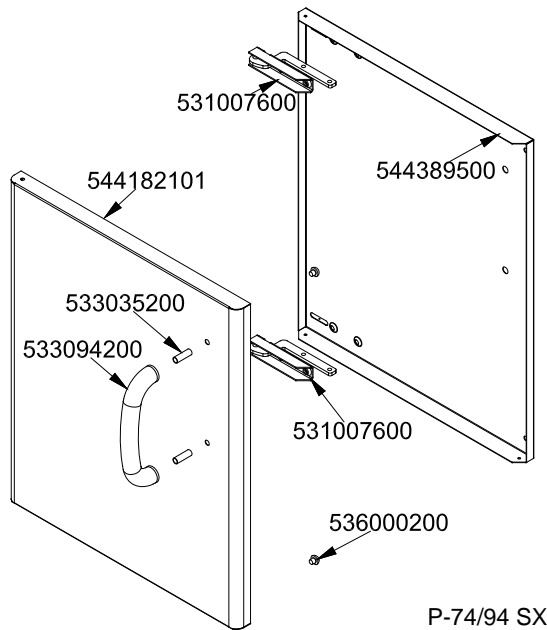
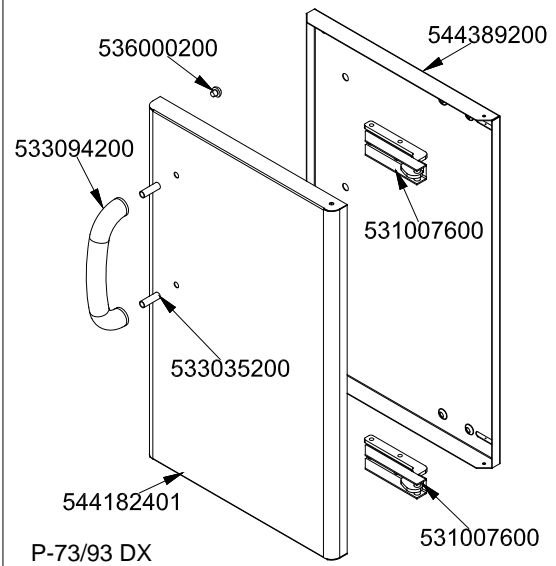
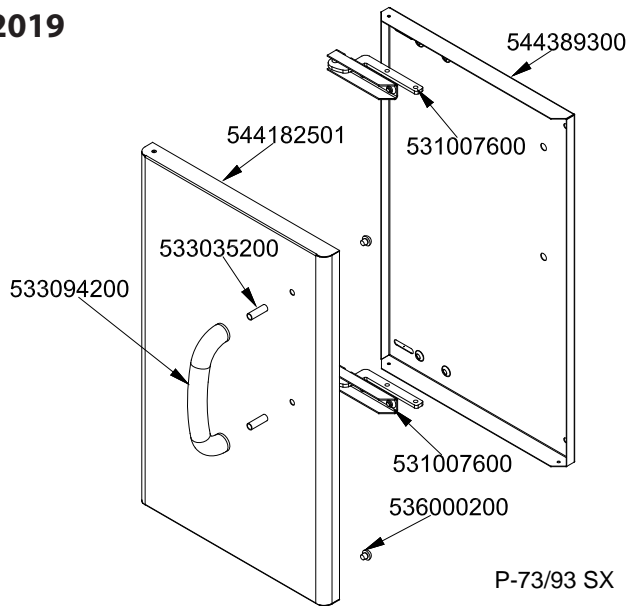
Objednací kód	Popis v ENG
536009800	GASKET O-RING 47,22X3,53 VITON
536026700	GASKET O-RING 74,61X3,53 VITON
537011500	MICRO-SWITCH 10A 400V



CP - 66 ET
 Platnost
 1.5.2016 do
 30.4.2019

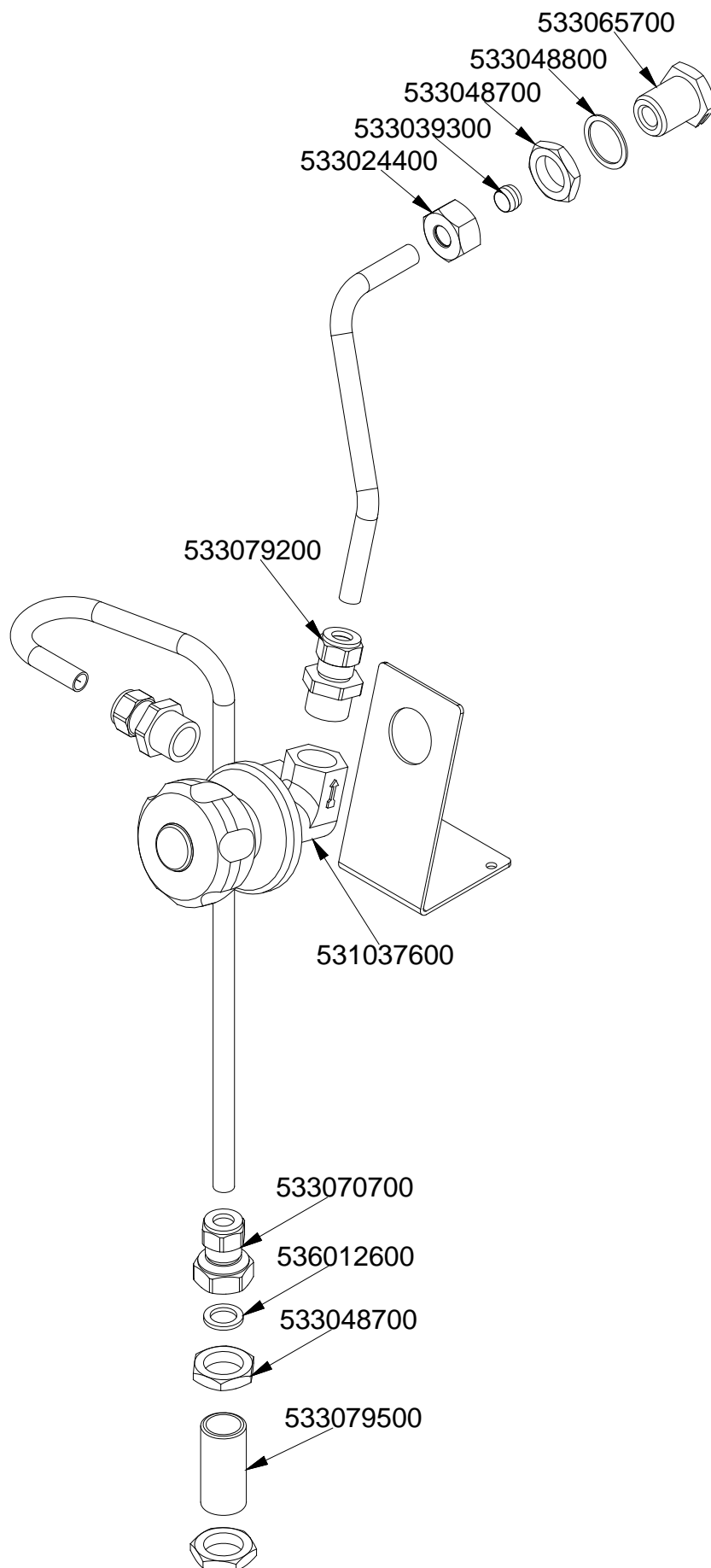


CP - 66 ET
(1)
Platnost
1.5.2016 do
30.4.2019





CP - 66 ET
(2)
Platnost
1.5.2016 do
30.4.2019





CP - 66 ET
(2)
Platnost
1.5.2016 do
30.4.2019

