

Technical data sheet

Product features



Tilting bratt pan manual electric 120 l stainless steel bottom

Model	SAP Code	00000109
--------------	-----------------	----------



- Bottom material: Stainless steel - suitable for cooking, easy maintenance
- Bottom thickness: 12.00
- Basin volume [l]: 120
- Usable volume [l]: 120
- Tilting: Manual
- Filling: Mechanical cock
- Type of pan: Tilting
- Protection of controls: IPX4
- Basin dimensions [mm x mm x mm]: 100 x 560 x 225

SAP Code	00000109	Loading	400 V / 3N - 50 Hz
Net Width [mm]	1200	Bottom material	Stainless steel - suitable for cooking, easy maintenance
Net Depth [mm]	900	Basin volume [l]	120
Net Height [mm]	900	Usable volume [l]	120
Net Weight [kg]	190.00	Tilting	Manual
Power electric [kW]	18.000		

Technical data sheet

Technical drawing

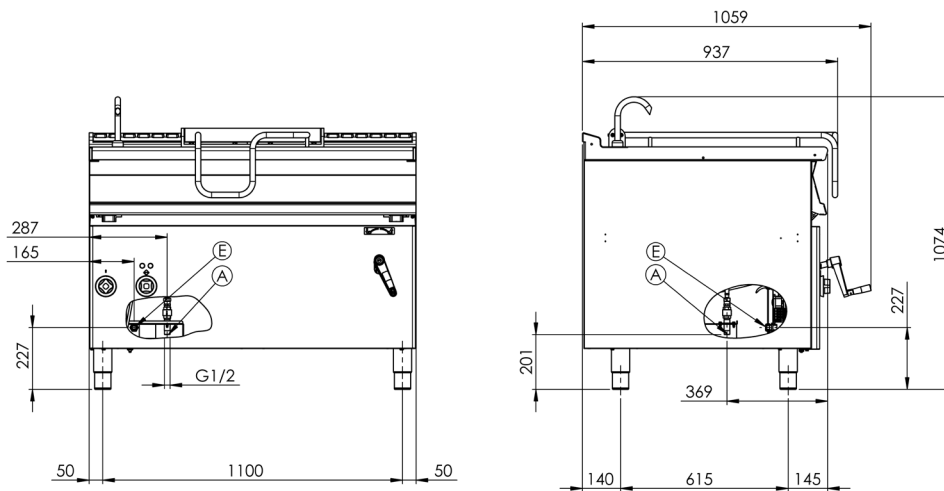


Tilting bratt pan manual electric 120 l stainless steel bottom

Model

SAP Code

00000109



Technical data sheet

Product benefits



Tilting bratt pan manual electric 120 l stainless steel bottom

Model

SAP Code

00000109

1

Manual folding system

maintenance-free system
equipped with a spring for convenient tilting
long life

- savings on service interventions
- easier and faster operation

2

Degree of protection of the control elements IPX4

maintenance-free system
resistance to splash water
long life

- savings on service interventions
- easy cleaning and maintenance of equipment

3

All-stainless design

the material does not cut
wear resistance of the material
long life

- savings on service interventions
- easy cleaning and maintenance of equipment

4

Efficient distribution of heating elements

perfect heat distribution including corners
fast heating

- saving time when cooking
- saving energy
- long service life

5

Stainless steel bottom

stainless steel hygienic AISI 304 bottom

- material suitable for all types of heat treatment, including frequent cooking
- minimal maintenance
- easy cleaning
- long service life

Technical data sheet

Technical parameters



Tilting bratt pan manual electric 120 l stainless steel bottom

Model

SAP Code

00000109

1. SAP Code:

00000109

2. Net Width [mm]:

1200

3. Net Depth [mm]:

900

4. Net Height [mm]:

900

5. Net Weight [kg]:

190.00

6. Gross Width [mm]:

970

7. Gross depth [mm]:

1240

8. Gross Height [mm]:

1200

9. Gross Weight [kg]:

205.00

10. Device type:

Electric unit

11. Construction type of device:

Stationary

12. Power electric [kW]:

18.000

13. Loading:

400 V / 3N - 50 Hz

14. Protection of controls:

IPX4

15. Device color:

Stainless steel

16. Material:

AISI 304

17. Indicators:

operation and warm-up

18. Worktop type:

Molded - comfortable cleaning maintenance

19. Basin volume [l]:

120

20. Basin dimensions [mm x mm x mm]:

100 x 560 x 225

21. Maximum device temperature [°C]:

300

22. Minimum device temperature [°C]:

50

23. Safety thermostat:

Yes

24. Adjustable feet:

Yes

25. Tilting:

Manual

26. Bottom thickness:

12.00

27. Bottom material:

Stainless steel - suitable for cooking, easy maintenance

28. Type of pan:

Tilting

Technical data sheet

Technical parameters



Tilting bratt pan manual electric 120 l stainless steel bottom

Model	SAP Code	00000109
--------------	-----------------	----------

29. Usable volume [l]:

120

31. Water filling type:

Cold

30. Filling:

Mechanical cock