

Technical data sheet

Product features



Cooking range gas with static gas oven GN 1/1 - 4x burner

| | | |
|--------------|-----------------|----------|
| Model | SAP Code | 00000295 |
|--------------|-----------------|----------|



- Device type: Gas unit
- Power consumption of the zone 1 [kW]: 5,5
- Power consumption of the zone 2 [kW]: 5,5
- Power consumption of the zone 3 [kW]: 3,5
- Power consumption of the zone 4 [kW]: 3,5
- Ignition: Electric
- Type of internal part of the appliance 1 (eg oven): Gas
- Type of internal part of the appliance 2 (eg oven): Static with a grill
- Protection of controls: IPX5
- Material: AISI 304 top plate and cladding

| | | | |
|----------------------------|--------------------------------|-----------------------------------------------------------|---------------------|
| SAP Code | 00000295 | Power consumption of the zone 1 [kW] | 5,5 |
| Net Width [mm] | 800 | Power consumption of the zone 2 [kW] | 5,5 |
| Net Depth [mm] | 600 | Power consumption of the zone 3 [kW] | 3,5 |
| Net Height [mm] | 900 | Power consumption of the zone 4 [kW] | 3,5 |
| Net Weight [kg] | 87.00 | Type of internal part of the appliance 1 (eg oven) | Gas |
| Power electric [kW] | 0.015 | Type of internal part of the appliance 2 (eg oven) | Static with a grill |
| Loading | 230 V / 1N - 50 Hz | Width of internal part [mm] | 640 |
| Power gas [kW] | 22.000 | Depth of internal part [mm] | 390 |
| Type of gas | Natural gas, propane butane | Height of internal part [mm] | 350 |
| Number of zones | 4 | | |

Technical data sheet

Technical drawing

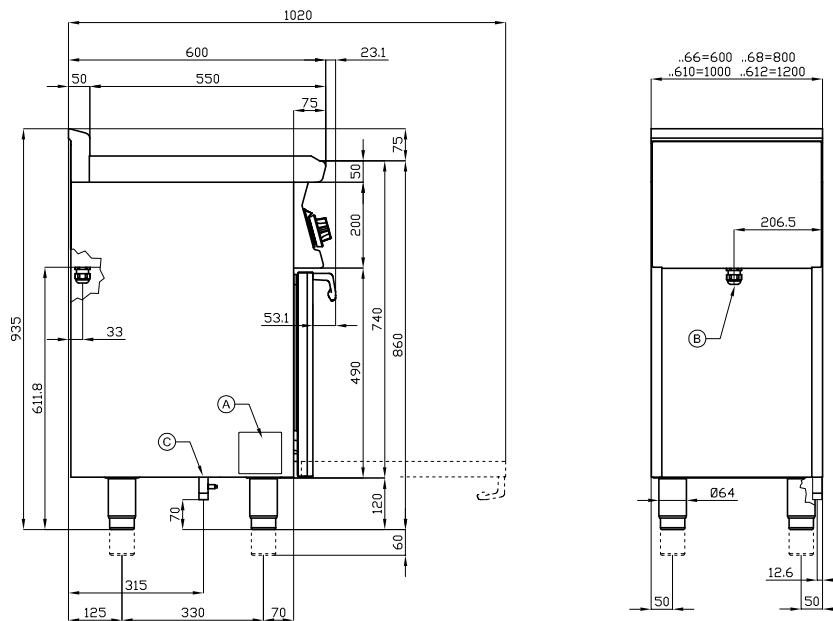


Cooking range gas with static gas oven GN 1/1 - 4x burner

Model

SAP Code

00000295



| | | | | | |
|---|----------------|----------------|---|-----------------------|--|
| A | Data plate | | B | Electrical connection | |
| C | Gas connection | ISO 7-1 1/2" M | | | |

Technical data sheet

Product benefits



Cooking range gas with static gas oven GN 1/1 - 4x burner

Model

SAP Code

00000295

1

Massive construction of burners

- high performance and efficiency
- brass burners removable
- eternal flame
- long life
- demountable
 - energy saving (perfect combustion)
 - time saving for food preparation
 - easy maintenance/cleaning

2

Hygienic moldings of the top plate

- absence of sharp corners and edges (potential places where dirt could stick)
- smooth transitions
 - easy quick cleaning

3

Large oven with four rack positions with static cooking

- static baking
- high capacity and variability
- all-stainless design
 - suitable for yeast dishes and desserts
 - long service life
 - easy to clean

4

Degree of protection of the control elements IPX5

- maintenance-free system
- resistance to splash water
- long life
 - savings on service interventions
 - easy cleaning and maintenance of equipment

5

All-stainless steel construction

- the material does not cut
- wear resistance of the material
- long life
 - savings on service interventions
 - easy cleaning and maintenance of equipment

6

Safety element – thermocouple

- safe service for staff
- there is no unnecessary gas leakage
- long life
 - savings on service interventions
 - easier and faster operation

7

Electric ignition

- easy flame ignition
- there is no unnecessary gas leakage
- long life
 - savings on service interventions
 - easier and faster operation

Technical data sheet

Technical parameters



Cooking range gas with static gas oven GN 1/1 - 4x burner

Model

SAP Code

00000295

1. SAP Code:

00000295

2. Net Width [mm]:

800

3. Net Depth [mm]:

600

4. Net Height [mm]:

900

5. Net Weight [kg]:

87.00

6. Gross Width [mm]:

830

7. Gross depth [mm]:

670

8. Gross Height [mm]:

1110

9. Gross Weight [kg]:

97.00

10. Device type:

Gas unit

11. Construction type of device:

With substructure

12. Power electric [kW]:

0.015

13. Loading:

230 V / 1N - 50 Hz

14. Power gas [kW]:

22.000

15. Ignition:

Electric

16. Type of gas:

Natural gas, propane butane

17. Protection of controls:

IPX5

18. Device color:

Stainless steel

19. Material:

AISI 304 top plate and cladding

20. Worktop material:

AISI 304

21. Worktop Thickness [mm]:

1.00

22. Number of zones:

4

23. Power consumption of the zone 1 [kW]:

5,5

24. Power consumption of the zone 2 [kW]:

5,5

25. Power consumption of the zone 3 [kW]:

3,5

26. Power consumption of the zone 4 [kW]:

3,5

27. Number of power control stages:

6

28. Service accessibility:

Trough the frontal panel

Technical data sheet

Technical parameters



Cooking range gas with static gas oven GN 1/1 - 4x burner

Model

SAP Code

00000295

29. Safety thermostat up to x ° C:

360

37. Width of internal part [mm]:

640

30. Adjustable feet:

Yes

38. Depth of internal part [mm]:

390

31. Number of burners/hot plates:

4

39. Height of internal part [mm]:

350

32. Type of gas cooking zones:

Brass burners

40. Maximum temperature of the inner chamber [°C]:

300

33. Oven Type:

gas static

41. Minimum temperature of the inner chamber [°C]:

150

34. Oven size:

640 x 390 x 350

42. Inner ignition:

Electric

35. Type of internal part of the appliance 1 (eg oven):

Gas

43. Number of internal parts:

4

36. Type of internal part of the appliance 2 (eg oven):

Static with a grill