

Technical data sheet

Product features



Cooking range gas 2 zones

Model	SAP Code	00013616
--------------	-----------------	----------



- Device type: Gas unit
- Power consumption of the zone 1 [kW]: 7
- Power consumption of the zone 2 [kW]: 4
- Ignition: Eternal flame
- Material: AISI 304

SAP Code	00013616	Power gas [kW]	11.000
Net Width [mm]	400	Type of gas	Propane butane, natural gas
Net Depth [mm]	900	Number of zones	2
Net Height [mm]	280	Power consumption of the zone 1 [kW]	7
Net Weight [kg]	54.00	Power consumption of the zone 2 [kW]	4

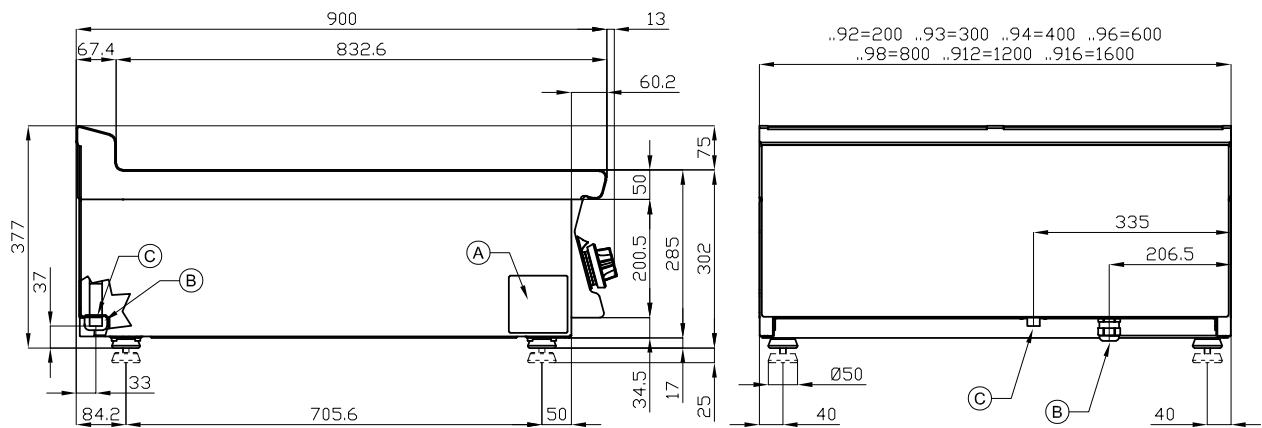
Technical data sheet

Technical drawing



Cooking range gas 2 zones

Model	SAP Code	00013616
--------------	-----------------	----------



A	Data plate	C	Gas connection	ISO 7-1 1/2" M
---	------------	---	----------------	----------------

Technical data sheet

Technical parameters



Cooking range gas 2 zones

Model

SAP Code

00013616

1. SAP Code:

00013616

2. Net Width [mm]:

400

3. Net Depth [mm]:

900

4. Net Height [mm]:

280

5. Net Weight [kg]:

54.00

6. Gross Width [mm]:

430

7. Gross depth [mm]:

970

8. Gross Height [mm]:

540

9. Gross Weight [kg]:

64.00

10. Device type:

Gas unit

11. Construction type of device:

Table top

12. Power gas [kW]:

11.000

13. Ignition:

Eternal flame

14. Type of gas:

Propane butane, natural gas

15. Device color:

Stainless steel

16. Material:

AISI 304

17. Worktop type:

Molded - comfortable cleaning maintenance

18. Worktop material:

AISI 304

19. Number of zones:

2

20. Power consumption of the zone 1 [kW]:

7

21. Power consumption of the zone 2 [kW]:

4

22. Service accessibility:

From the front by removing the front panel and waste fluid containers

23. Safety thermocouple:

Yes

24. Adjustable feet:

Yes

25. Number of burners/hot plates:

2

26. Type of gas cooking zones:

Classic

27. Burner type:

Brass, detachable