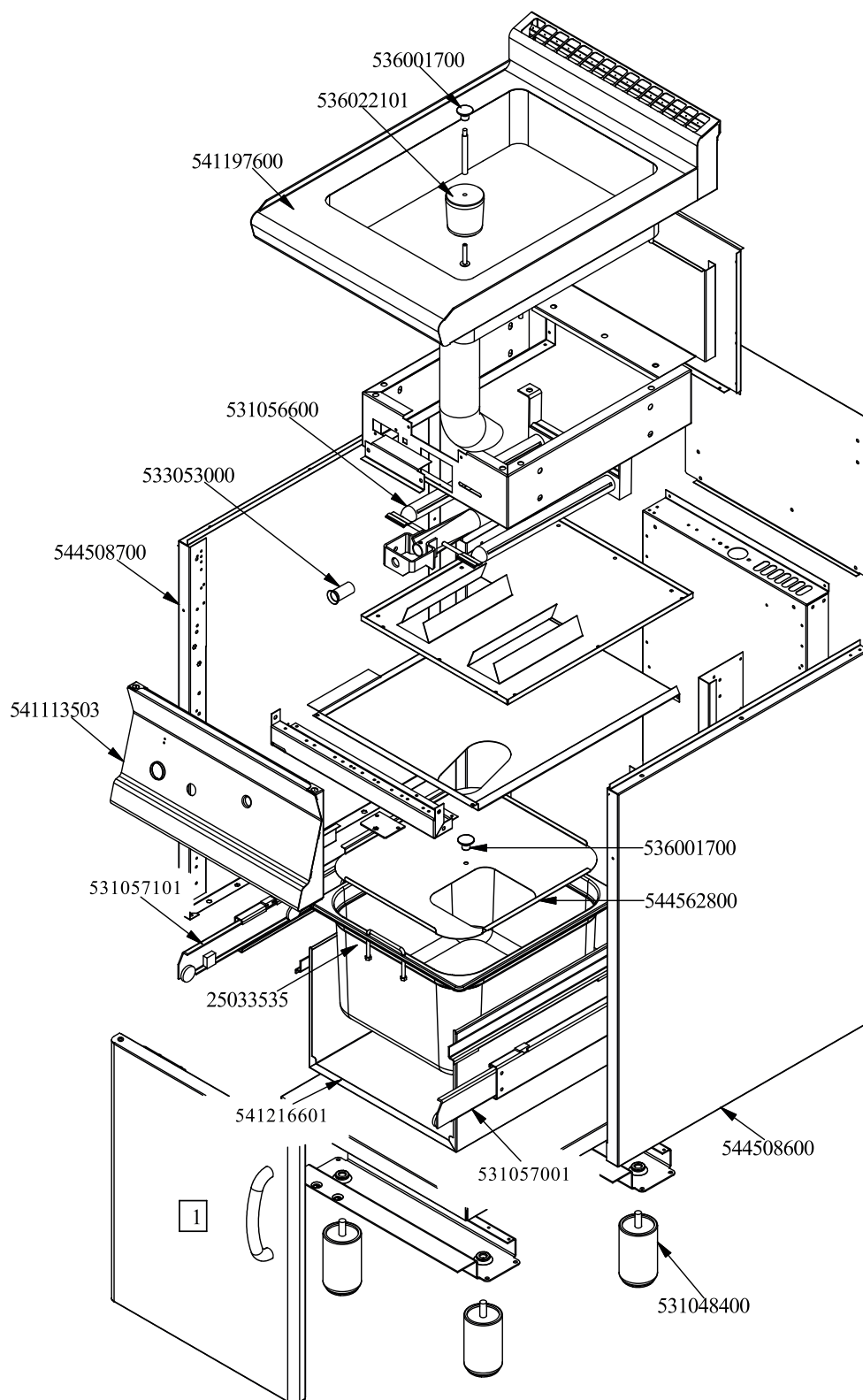


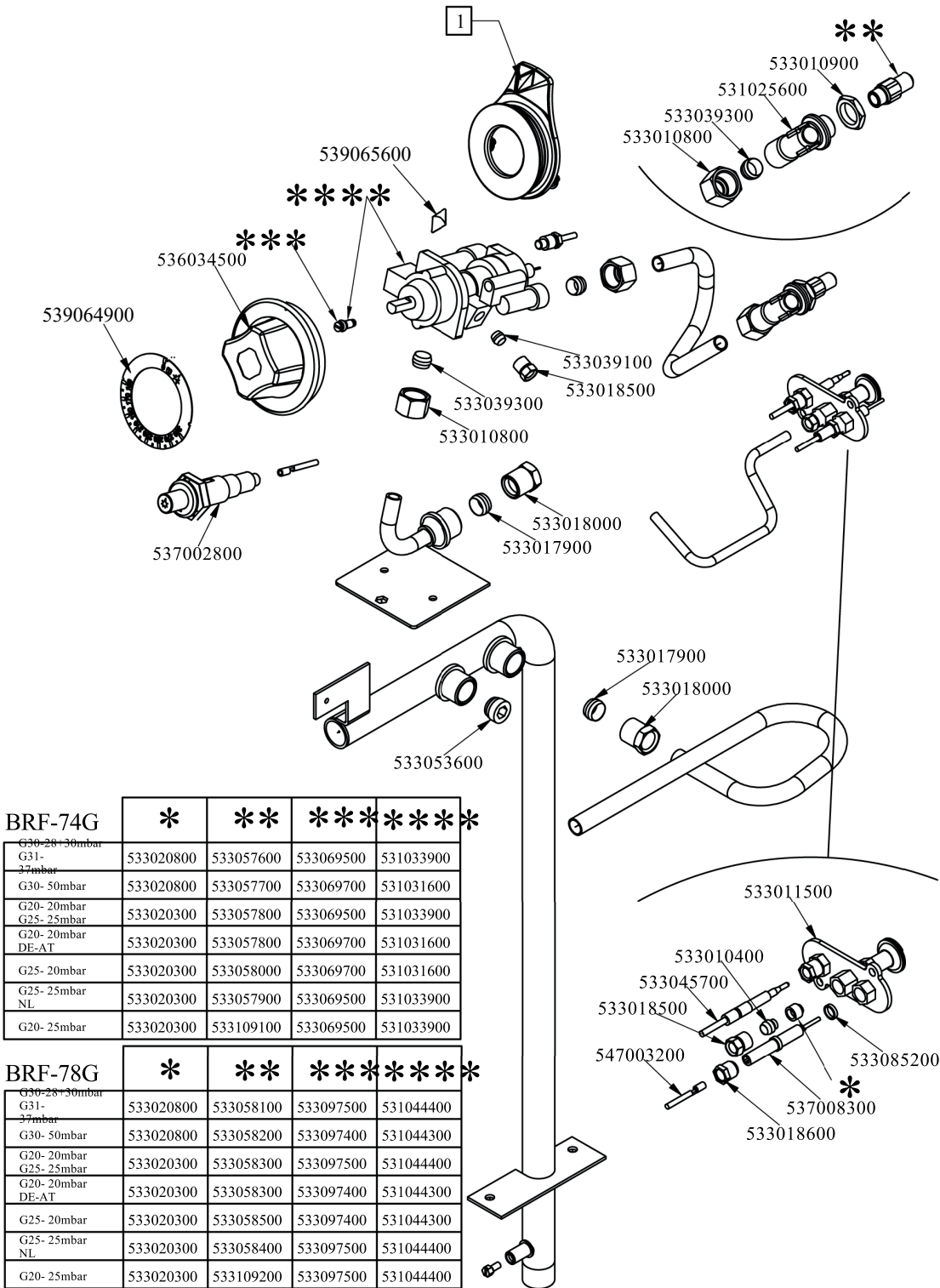
RM 700  
Platný od 1.5. 2019  
BRF-74G



560072701M00P00



Objednačí kód	Popis v ENG
541114201	
531036000	BURNER BRF-74G 07KW
533053000	AIR ADJUSTMENT BUSHING §18
541113503	
25035335	
532004100	FLUE GRID L=370 90LINE (RAF)
544173400	RIGHT SIDE PANEL S.70
544173500	LEFT SIDE PANEL S.70
536022101	PLUG FOR BRF BASIN
536001700	GRIP D.25*19*M6
536005200	INOX LEG 2" 120-180 M10
531015602	
531015702	
541114602	
544381800	GN1/1 LID BRF W/MANUAL DISCHARGE
-	-

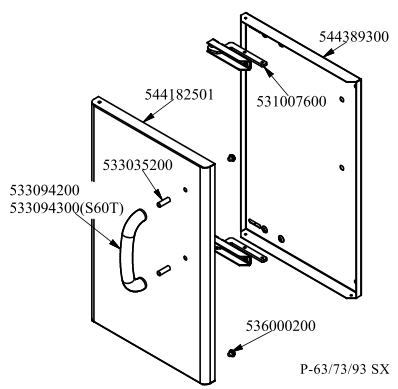


BRF-74G	*	**	***	****	*****
G30-28-30mbar G31- 37mbar	533020800	533057600	533069500	531033900	
G30-50mbar	533020800	533057700	533069700	531031600	
G20-20mbar G25-25mbar	533020300	533057800	533069500	531033900	
G20-20mbar DE-AT	533020300	533057800	533069700	531031600	
G25-20mbar	533020300	533058000	533069700	531031600	
G25-25mbar NL	533020300	533057900	533069500	531033900	
G20-25mbar	533020300	533109100	533069500	531033900	

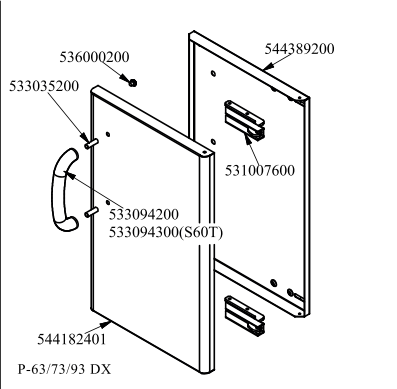
BRF-78G	*	**	***	****	*****
G30-28-30mbar G31- 37mbar	533020800	533058100	533097500	531044400	
G30-50mbar	533020800	533058200	533097400	531044300	
G20-20mbar G25-25mbar	533020300	533058300	533097500	531044400	
G20-20mbar DE-AT	533020300	533058300	533097400	531044300	
G25-20mbar	533020300	533058500	533097400	531044300	
G25-25mbar NL	533020300	533058400	533097500	531044400	
G20-25mbar	533020300	533109200	533097500	531044400	



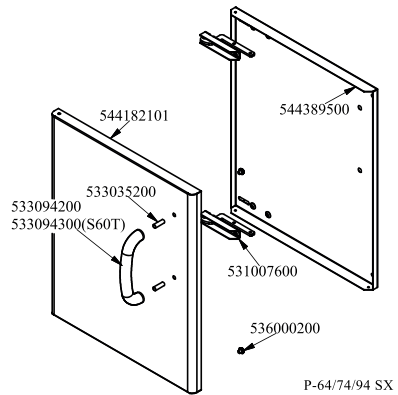
Objednací kód	Popis v ENG
533039100	BICONE §6
533018500	FITTING FOR BICONE D.6 M10*1
533039300	BICONE §10
533010800	TUBE NUT D.10 M16*1,5
531025600	ELBOW 90° NOZZLE-HOLDER §10 PIPE
533010900	NUT M14*1 H.4
539064900	BLACK STICKING DISK 72 (150,300°)
536034500	KNOB §77 4P. §08*6,5
533018000	ELBOW FOR BICONE D.12 3/8 RS L20
533017900	BICONE D.12
537002800	PIEZOELECTRIC IGNITION M18 WITH NUT
547003200	HIGH-VOLTAGE CABLE TUBE.§2 L=500
533018600	PLUG FITTING
537008300	ROUND PLUG §2,4- LONG ELECTRODE
533085200	SPACER FOR PILOT PLUG
533045700	THERMOCOUPLE M9*1 500
533010400	BICONE D.6
533011500	PILOT BURNER 2 FLAMES 220
539065600	ADHES.LABEL FOR RING GREEN SIGN.
533053600	EUROSIT VALVE PLUG
533020800	NOZZLE 0160-FLUSS. (25)
533020300	NOZZLE 0160 (NATURAL GAS) 1-2 (41)
531033900	HORIZON.THERMOSTATIC TAP BYPASS §85
531031600	HORIZON.THERMOSTATIC TAP BY-PASS 75
533069500	BY PASS COCK §085 25ST
533069700	BY PASS COCK §075 25ST
533057600	NOZZLE §115A CH12*30 G-BRF74
533057700	NOZZLE §130A CH12*30 F-BRF74
533057800	NOZZLE §205A CH12*30 H-BRF74
533058000	NOZZLE §225A CH12*30 L-BRF74
533057900	NOZZLE §215A CH12*30 NL-BRF74
533109100	NOZZLE CH12X30,0 Ø195A S/F.E.
531044400	HORIZ.THERMOSTATIC TAP B.PASS §125
531044300	HORIZ.THERMOSTATIC TAP B.PASS §110
533097500	BY PASS COCK §125 25ST
533097400	BY PASS COCK §110 25ST
533058100	NOZZLE §190 CH12*30 G-BRF78
533058200	NOZZLE §165A CH12*30 F-BRF78
533058300	NOZZLE §300A CH12*30 H-BRF78
533058500	NOZZLE §350 CH12*30 L-BRF78
533058400	NOZZLE §320 CH12*30 NL-BRF78
533109200	NOZZLE CH12X30,0 Ø285A S/F.E.
-	-



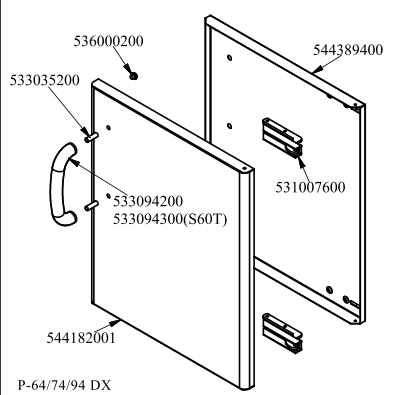
P-63/73/93 SX



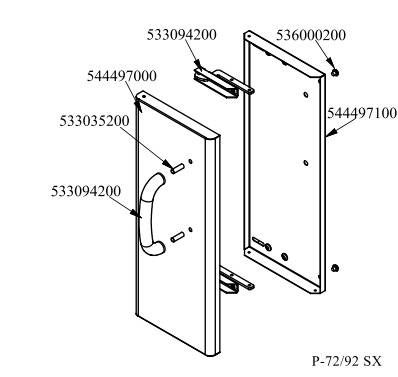
P-63/73/93 DX



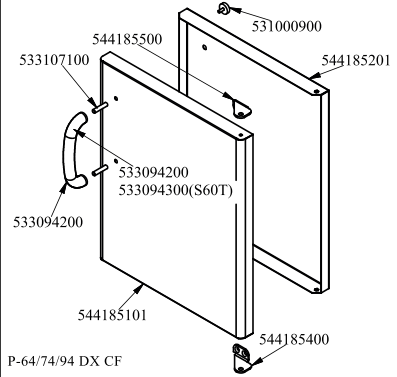
P-64/74/94 SX



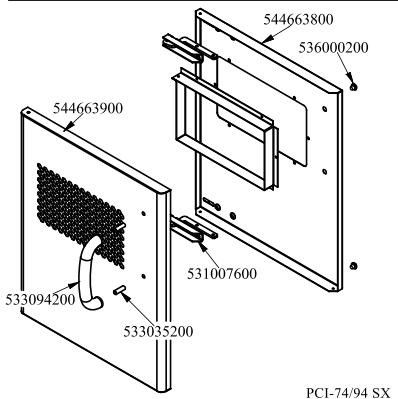
P-64/74/94 DX



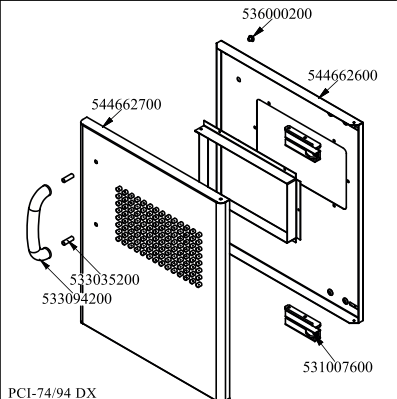
P-72/92 SX



P-64/74/94 DX CF



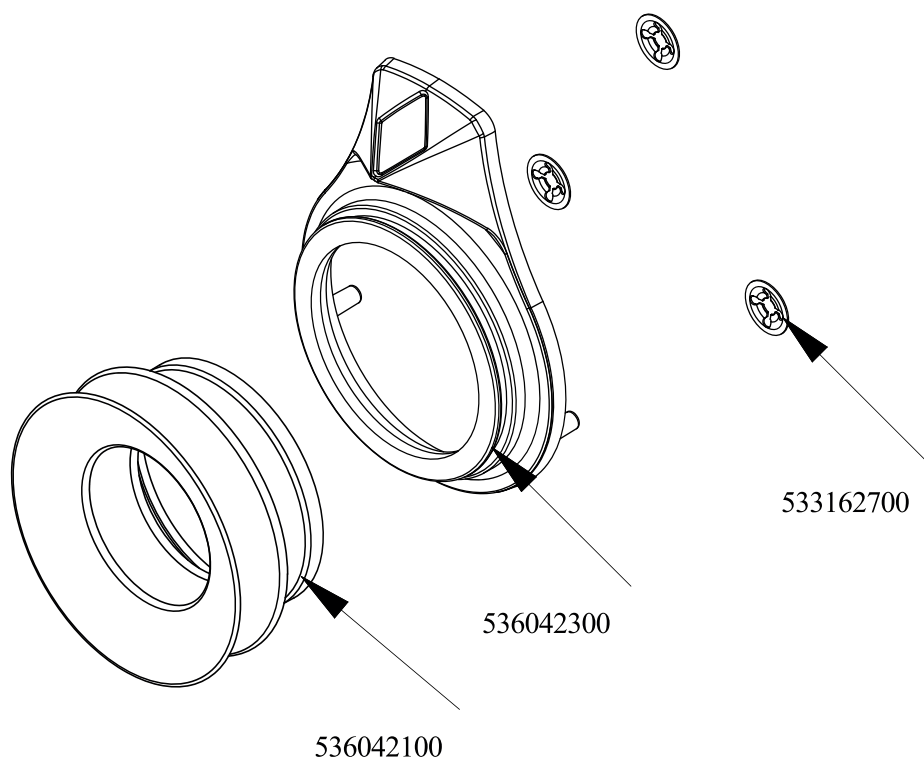
PCI-74/94 SX



PCI-74/94 DX



Objednací kód	Popis v ENG
544185101	RIGHT DOOR 74 CF
533107100	HANDLE SPACER OF CF-70
533094200	S/S HANDLE FOR 70/90 SERIES
544185400	LOWER DOOR HINGE FOR COMPARTME CF70
544185500	UPPER DOOR HINGE FOR COMPARTME CF70
544185201	INNER DOOR * 74DX
531000900	MAGNET §22 KG.3 WITH DISK
536000200	D.12 H.4 BUMPER
544182001	RIGHT DOOR 74
531007600	DOOR HINGE
544389400	
533035200	HANDLE SPACER
544182101	LEFT DOOR 74
544389500	INNER-DOOR OF LHD 74
544182401	RIGHT DOOR 73
544389200	
544389300	
544182501	LEFT DOOR 73
544497000	
544497100	
544663900	LHD 74 DOOR FOR PCI
544663800	74 LHD OVEN INNER DOOR FOUR PCI
544662700	DOOR 74 DX PCI
544662600	
533094300	S/S HANDLE FOR 600T.LINE



560125700M00P00

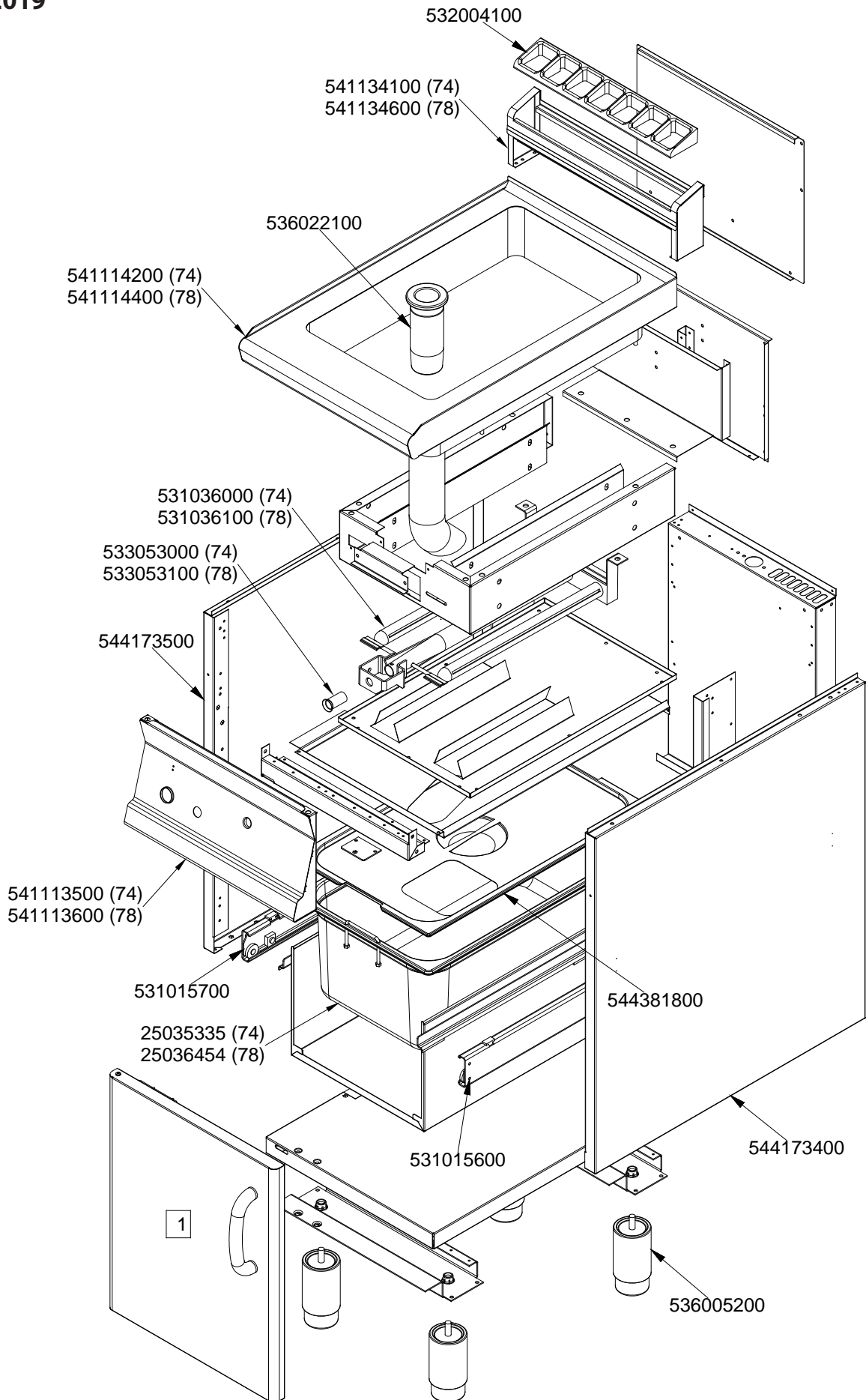


Objednačí kód	Popis v ENG
536042300	SILVER CHROM. RING FOR KNOB Ø77 4 P
536042100	SEAL CASING FOR KNOB Ø77 4 P
533162700	PROCESSING CODE





**BRF - 74 G, BRF - 78 G**  
**Platný od 1.5. 2016**  
**do 30.4.2019**

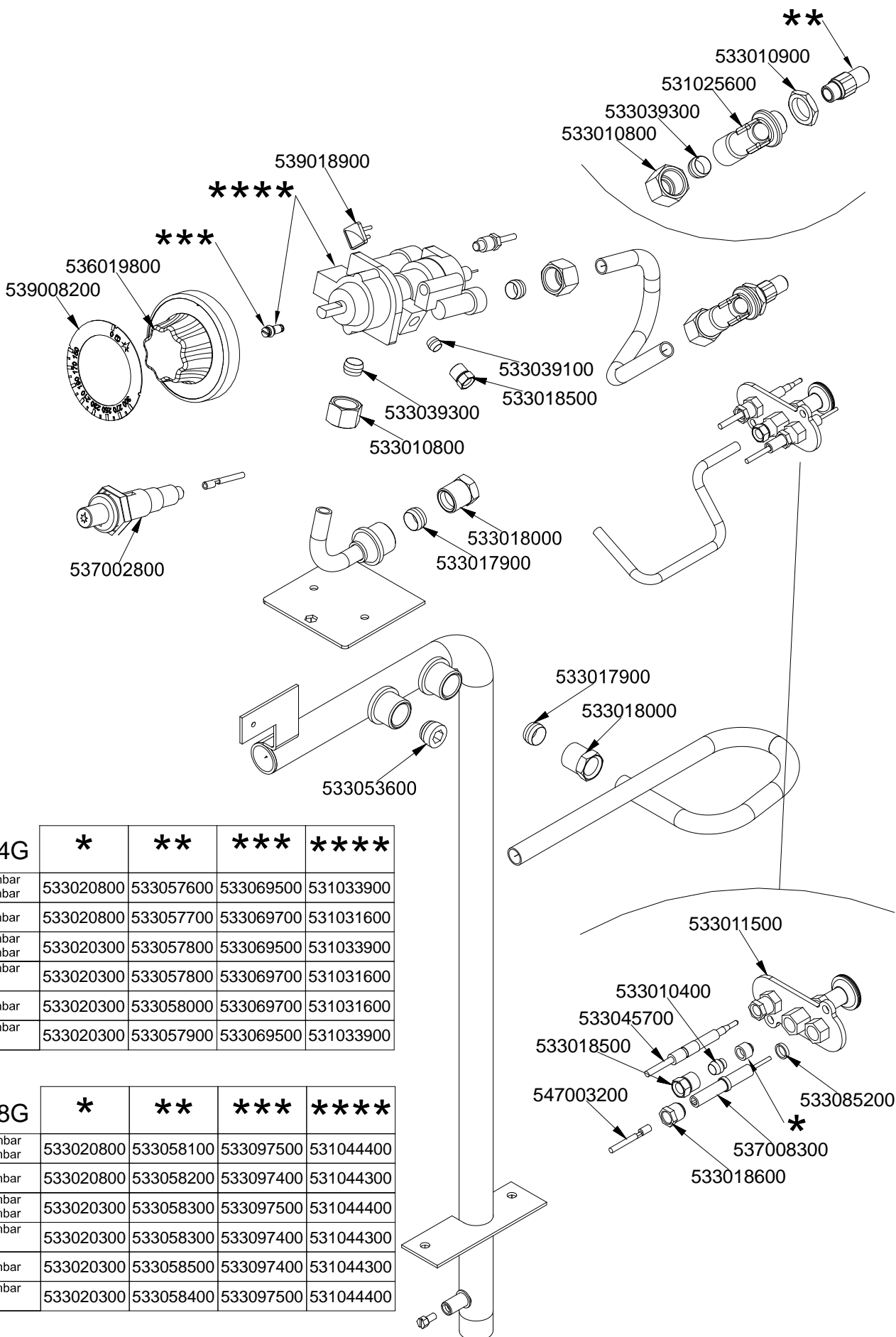




**BRF - 74 G, BRF - 78 G**

**Platný od 1.5. 2016**

**do 30.4.2019**



BRF-74G	*	**	***	****
G30-28+30mbar G31- 37mbar	533020800	533057600	533069500	531033900
G30- 50mbar	533020800	533057700	533069700	531031600
G20- 20mbar G25- 25mbar	533020300	533057800	533069500	531033900
G20- DE-AT	533020300	533057800	533069700	531031600
G25- 20mbar	533020300	533058000	533069700	531031600
G25- NL	533020300	533057900	533069500	531033900

BRF-78G	*	**	***	****
G30-28+30mbar G31- 37mbar	533020800	533058100	533097500	531044400
G30- 50mbar	533020800	533058200	533097400	531044300
G20- 20mbar G25- 25mbar	533020300	533058300	533097500	531044400
G20- DE-AT	533020300	533058300	533097400	531044300
G25- 20mbar	533020300	533058500	533097400	531044300
G25- NL	533020300	533058400	533097500	531044400

**BRF - 74 G, BRF - 78 G**

(1)

**Platný od 1.5. 2016**

**do 30.4.2019**

