

# Technical data sheet



## Product features

### Bain marie electric GN 1/1 - 200 with cabinet

<b>Model</b>	<b>SAP Code</b>	00018586
--------------	-----------------	----------



- Water inlet: automatic valve operated by button
- Drain type: Trough the cabinet
- Drain: Yes
- Material: AISI 304 top plate, AISI 430 cladding
- Protection of controls: IPX4
- Maximum device temperature [°C]: 90

<b>SAP Code</b>	00018586	<b>Power electric [kW]</b>	1.600
<b>Net Width [mm]</b>	400	<b>Loading</b>	230 V / 1N - 50 Hz
<b>Net Depth [mm]</b>	700	<b>Number of GN / EN</b>	1
<b>Net Height [mm]</b>	900	<b>GN / EN size in device</b>	GN 2/1
<b>Net Weight [kg]</b>	26.00	<b>GN device depth</b>	200

# Technical data sheet



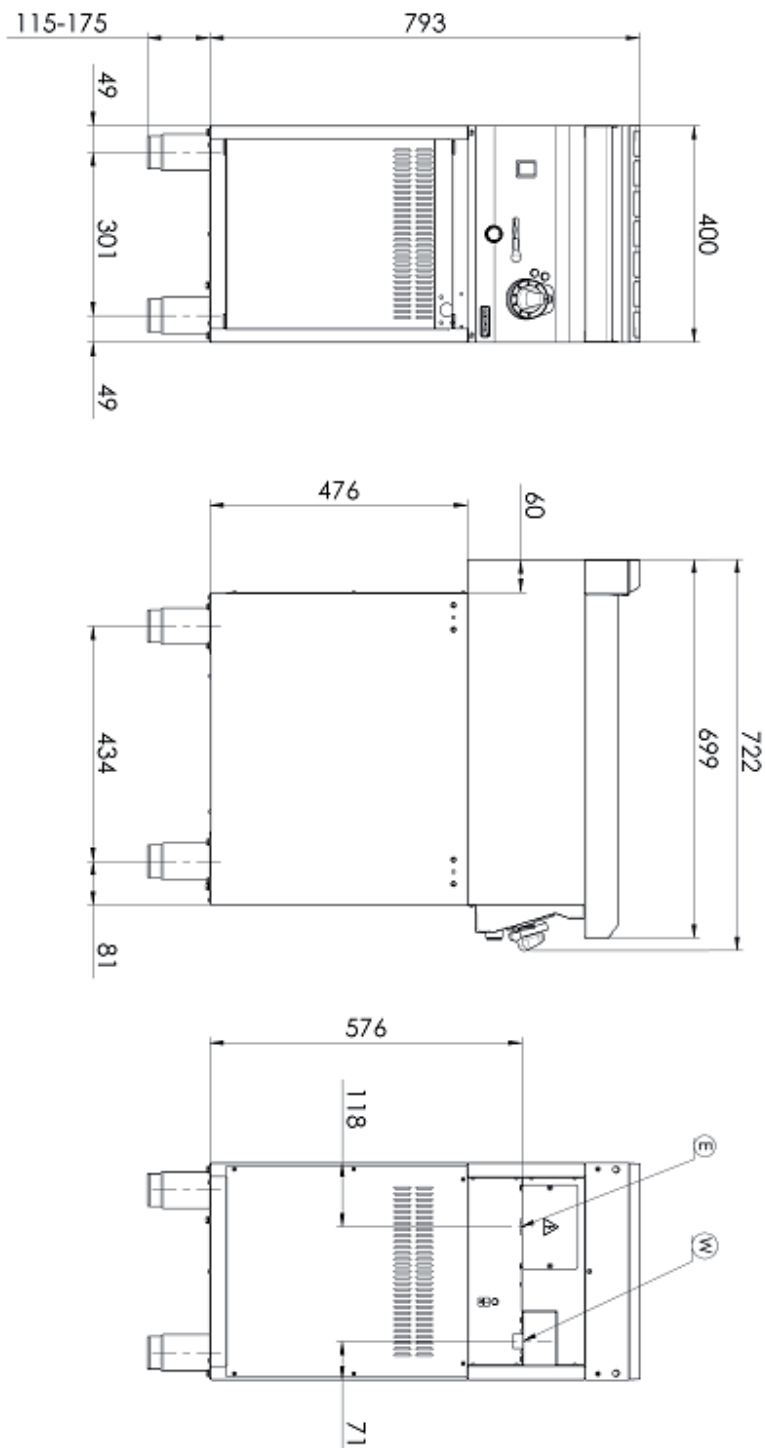
Technical drawing

Bain marie electric GN 1/1 - 200 with cabinet

Model

SAP Code

00018586



# Technical data sheet



## Technical parameters

### Bain marie electric GN 1/1 - 200 with cabinet

**Model**

**SAP Code**

00018586

**1. SAP Code:**

00018586

**2. Article group:**

Bain Maries

**3. Net Width [mm]:**

400

**4. Net Depth [mm]:**

700

**5. Net Height [mm]:**

900

**6. Net Weight [kg]:**

26.00

**7. Gross Width [mm]:**

460

**8. Gross depth [mm]:**

820

**9. Gross Height [mm]:**

1080

**10. Gross Weight [kg]:**

34.00

**11. Device type:**

Electric unit

**12. Construction type of device:**

With substructure

**13. Power electric [kW]:**

1.600

**14. Loading:**

230 V / 1N - 50 Hz

**15. Protection of controls:**

IPX4

**16. Material:**

AISI 304 top plate, AISI 430 cladding

**17. Indicators:**

operation and warm-up

**18. Worktop type:**

Molded - comfortable cleaning maintenance

**19. Worktop material:**

AISI 304

**20. Worktop Thickness [mm]:**

1.20

**21. Maximum device temperature [°C]:**

90

**22. Minimum device temperature [°C]:**

30

**23. Safety element:**

safety element – thermocouple  
outlet safety fuse

**24. Adjustable feet:**

Yes

**25. Heating element construction:**

Heating element under the bottom of the tub

**26. Water inlet:**

automatic valve operated by button

**27. Drain type:**

Trough the cabinet

**28. Drain:**

Yes

# Technical data sheet



Technical parameters

Bain marie electric GN 1/1 - 200 with cabinet

Model

SAP Code

00018586

**29. Number of GN / EN:**

1

**31. GN device depth:**

200

**30. GN / EN size in device:**

GN 2/1