

Technical data sheet

Product features



Cooking range glass ceramic electric 4x plate with open cabinet 400 V

Model	SAP Code	00002962
--------------	-----------------	----------



- Device type: Electric unit
- Power consumption of the zone 1 [kW]: 2,5
- Power consumption of the zone 2 [kW]: 2,5
- Power consumption of the zone 3 [kW]: 2,5
- Power consumption of the zone 4 [kW]: 2,5
- Protection of controls: IPX5
- Material: Stainless steel

SAP Code	00002962	Number of zones	4
Net Width [mm]	800	Power consumption of the zone 1 [kW]	2,5
Net Depth [mm]	705	Power consumption of the zone 2 [kW]	2,5
Net Height [mm]	900	Power consumption of the zone 3 [kW]	2,5
Net Weight [kg]	53.00	Power consumption of the zone 4 [kW]	2,5
Power electric [kW]	10.000	Ceramic glass dimensions [mm x mm]	750 x 570
Loading	400 V / 3N - 50 Hz		

Technical data sheet

Technical drawing

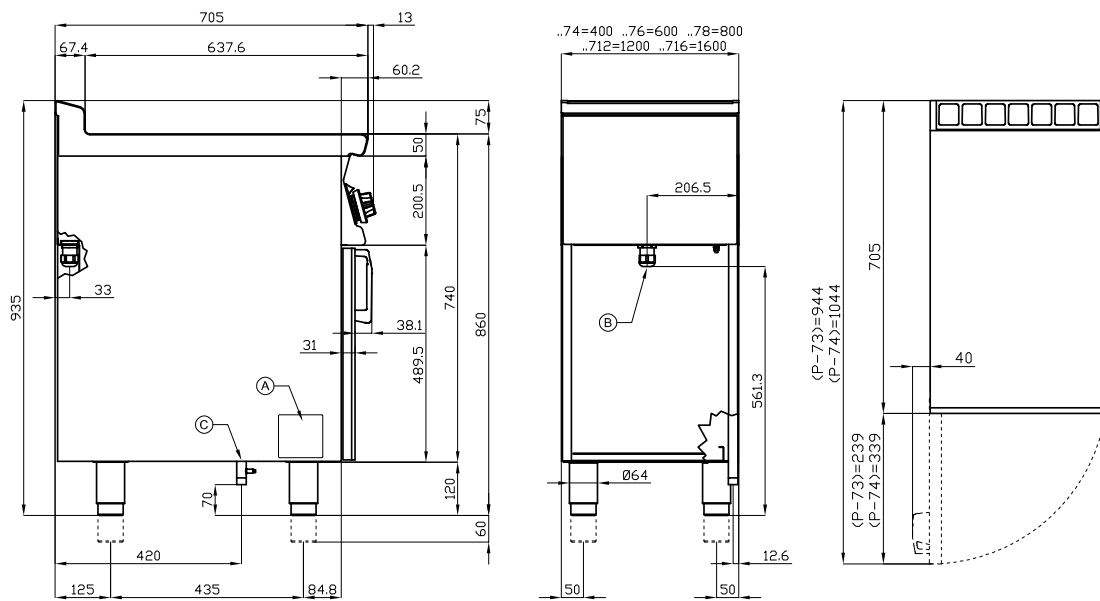


Cooking range glass ceramic electric 4x plate with open cabinet 400 V

Model

SAP Code

00002962



A	Data plate	B	Electrical connection
---	------------	---	-----------------------

Technical data sheet

Product benefits



Cooking range glass ceramic electric 4x plate with open cabinet 400 V

Model

SAP Code

00002962

1

Glass ceramic surface

quick warm-up
uniform heating

- saving time in food preparation
- no reheating and long cooking times
- material does not rust

2

Internal thermostatic plate protection

longer service life of the plates

- no overheating of the plates and no cracking

3

Degree of protection of the control elements IPX5

maintenance-free system
resistance to splash water
long life

- savings on service interventions
- easy cleaning and maintenance of equipment

4

All-stainless design

the material does not cut
wear resistance of the material
long life

- savings on service interventions
- easy cleaning and maintenance of equipment

5

Hygienic moldings of the top plate

absence of sharp corners and edges (potential places where dirt could stick)
smooth transitions

- easy quick cleaning

Technical data sheet

Technical parameters



Cooking range glass ceramic electric 4x plate with open cabinet 400 V

Model

SAP Code

00002962

1. SAP Code:

00002962

2. Net Width [mm]:

800

3. Net Depth [mm]:

705

4. Net Height [mm]:

900

5. Net Weight [kg]:

53.00

6. Gross Width [mm]:

830

7. Gross depth [mm]:

770

8. Gross Height [mm]:

1110

9. Gross Weight [kg]:

66.00

10. Device type:

Electric unit

11. Construction type of device:

With substructure

12. Power electric [kW]:

10.000

13. Loading:

400 V / 3N - 50 Hz

14. Protection of controls:

IPX5

15. Material:

Stainless steel

16. Worktop type:

Molded - comfortable cleaning maintenance

17. Worktop material:

Glass ceramics

18. Worktop Thickness [mm]:

2.00

19. Number of zones:

4

20. Power consumption of the zone 1 [kW]:

2,5

21. Power consumption of the zone 2 [kW]:

2,5

22. Power consumption of the zone 3 [kW]:

2,5

23. Power consumption of the zone 4 [kW]:

2,5

24. Number of power control stages:

7

25. Service accessibility:

Trough the frontal panel

26. Safety element:

internal thermostatic protection of the hotplate
against overheating
residual heat warning light

Technical data sheet

Technical parameters



Cooking range glass ceramic electric 4x plate with open cabinet 400 V

Model

SAP Code

00002962

27. Safety thermostat:

Yes

30. Number of burners/hot plates:

4

28. Adjustable feet:

Yes

31. Type of electric cooking zones:

Glass ceramic

29. Additional information:

door not included - can be purchased

32. Ceramic glass dimensions [mm x mm]:

750 x 570