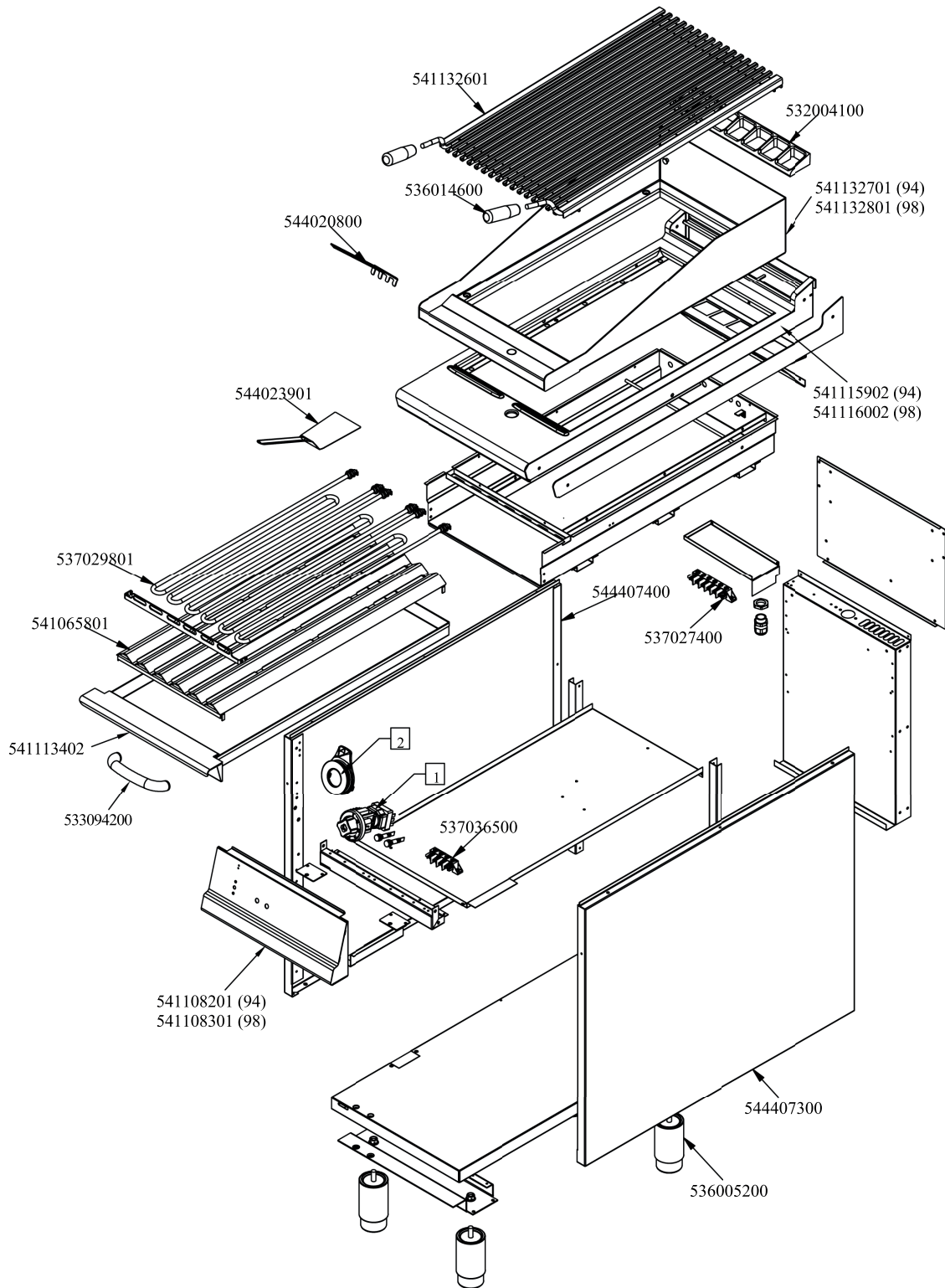


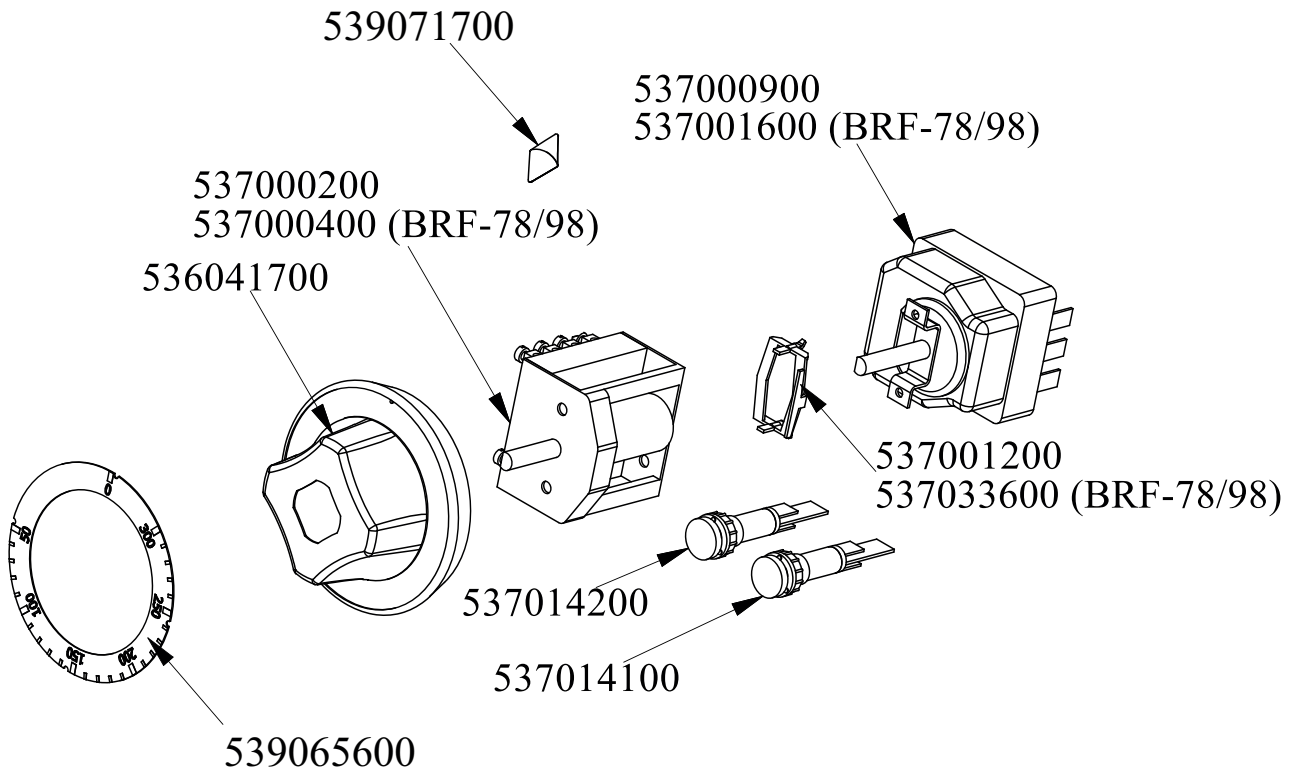


RM 900
 Platný od 1.5. 2019
 CW-94ET, CW-98ET



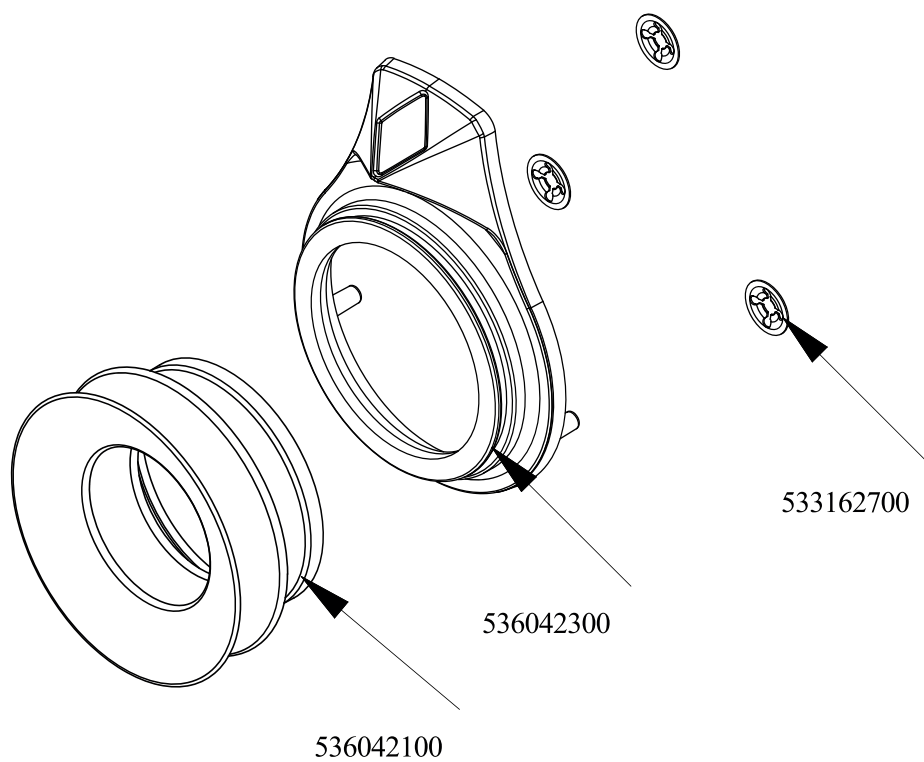


Objednací kód	Popis v ENG
541108201	
541132701	SPLASH SHIELD CW-94
544023901	SPATTLE FOR FRY-TOP
544020800	SPATTLE FOR CW S70 S90
541132601	"S" GRID FOR CW-94
541065801	REFLECTING BOARD CW-E 90 LINE
537029801	HEATING EL. CW 90 W2600 V230
536014600	GRIP D.28*90*M10 CW
532004100	FLUE GRID L=370 90LINE (RAF)
544407300	RIGHT SIDE PANEL 90 LINE
537027400	TERMINAL BLOCK THREEPHASE 40A
544407400	LEFT SIDE PANEL 70 LINE
536005200	INOX LEG 2" 120-180 M10
533094200	S/S HANDLE FOR 70/90 SERIES
541115902	
537036500	TERMINAL BLOCK 4POLES 40A SCREW-SCR
-	-
-	-





Objednací kód	Popis v ENG
537001600	THERMOSTAT 50-320°C SINGLEPHASE
536041700	SILVER CHROM. KNOB Ø77 4P.G.Ø06X4,6
537000400	COMMUTATOR 1POS.SINGLEPHASE S49 16A
537001200	FIXING BRACKET FOR THERMOSTAT/COMM.
537014200	GREEN WARNING LIGHT 250V
537014100	WHITE WARNING LIGHT 250V
537000900	THERMOSTAT 063-320°C THREEPHASE
537033600	FIXING BRACKET FOR THERMOSTAT/COMM.
537000200	COMMUTATOR 1 POS. 3PHASE S.49 16A
539065600	BLACK STICKING DISK 72 (050,300°)
539071700	ADHES.LABEL FOR RING GREEN SIGN.



560125700M00P00



Objednačí kód	Popis v ENG
536042300	SILVER CHROM. RING FOR KNOB Ø77 4 P
536042100	SEAL CASING FOR KNOB Ø77 4 P
533162700	PROCESSING CODE



CW - 94 ET, CW - 98 ET
Platný od 1.5.2016
do 30.4.2019

