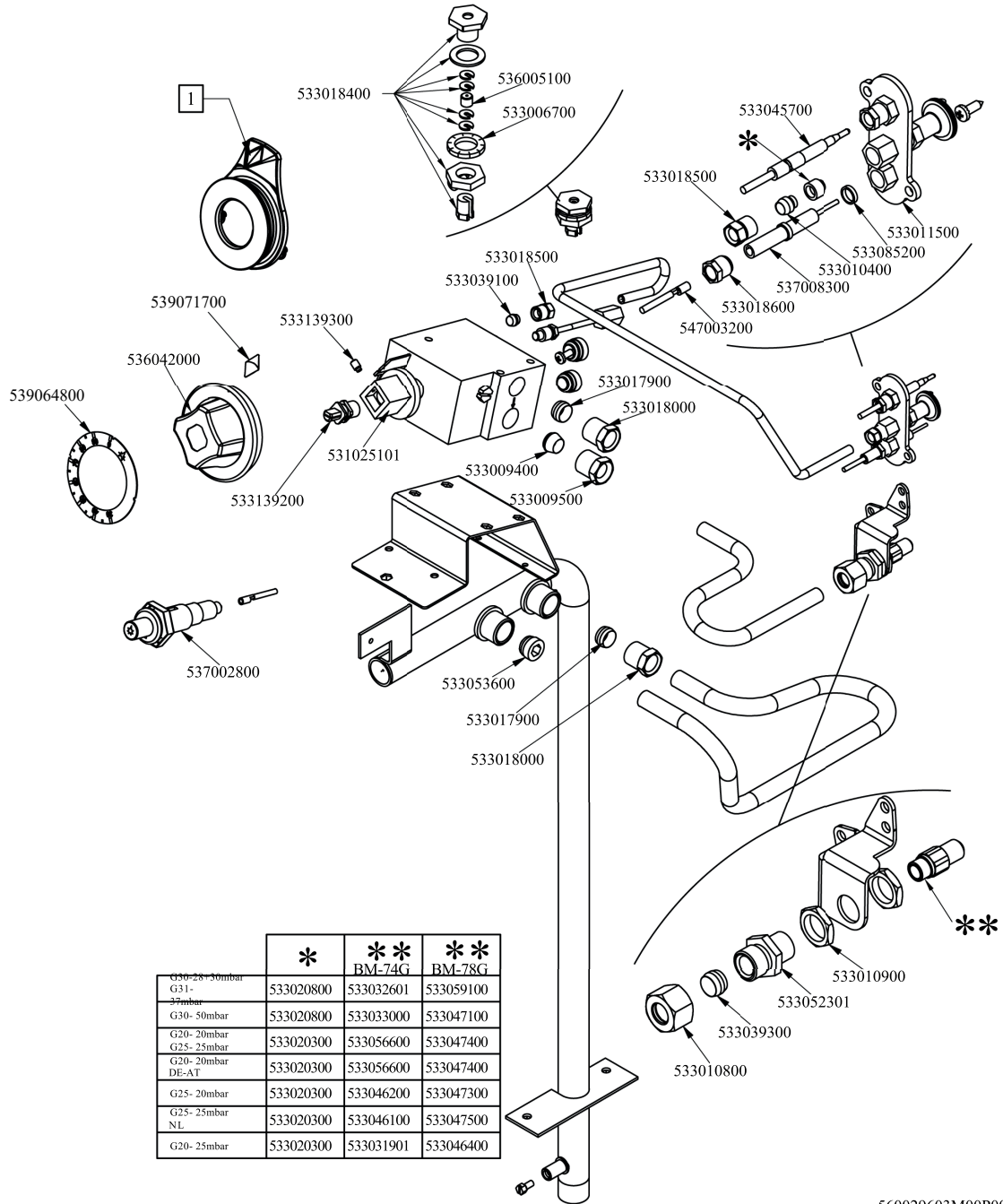


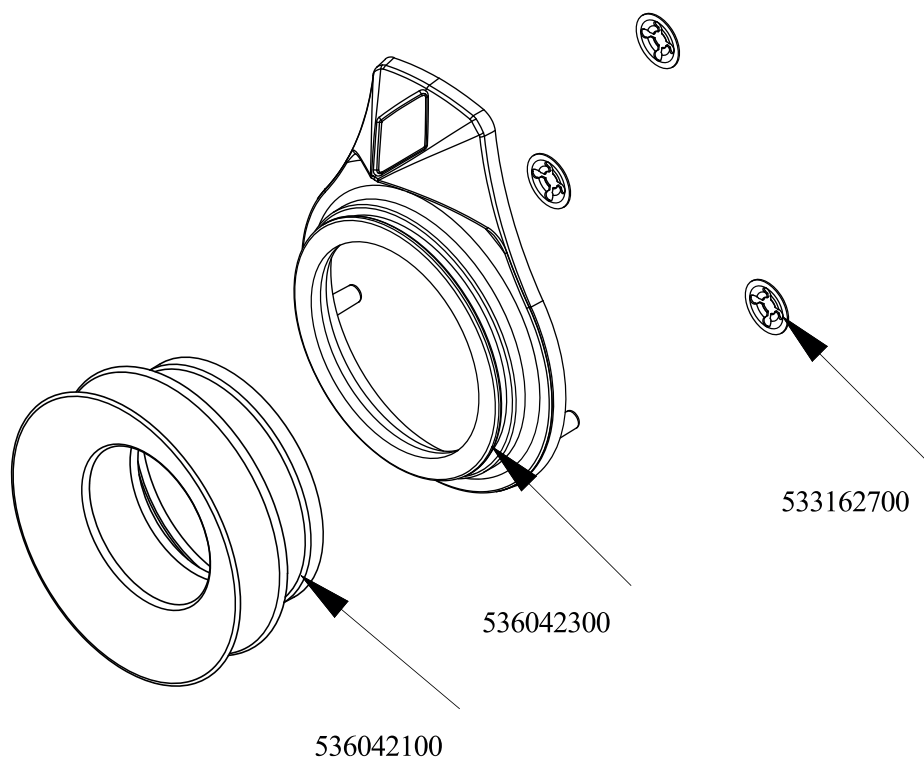


RM 700
 Platný od 1.5. 2019
 BM-78G





Objednávací kód	Popis v ENG
533017900	BICONE D.12
533018000	ELBOW FOR BICONE D.12 3/8 RS L20
533018400	THREADED FITTING
533018500	FITTING FOR BICONE D.6 M10*1
533045700	THERMOCOUPLE M9*1 500
547003200	HIGH-VOLTAGE CABLE TUBE.§2 L=500
533018600	PLUG FITTING
537008300	ROUND PLUG §2,4- LONG ELECTRODE
533010400	BICONE D.6
533085200	SPACER FOR PILOT PLUG
533011500	PILOT BURNER 2 FLAMES 220
536042000	SILVER CHROM. KNOB Ø77 4P.G.Ø8SX6,5
533039100	BICONE §6
533006700	NOTCHED WASHER D.14
536005100	GRAPHITE §07,4 GASKET
533039300	BICONE §10
533052301	JOINT FOR NOZZLE HOLDER
533010900	NUT M14*1 H.4
533139300	BURNISH HEADLESS SCREW M05*05 PCEI
531025101	EUROSIT VALVE BM 30-100°C
533139200	SHORT PIVOT FOR BRASS KNOB
539064800	BLACK STICKING DISK 72 (030,090°)
537002800	PIEZOELECTRIC IGNITION M18 WITH NUT
533053600	EUROSIT VALVE PLUG
533009500	NIPPLE FOR BICONE 10S
533009400	BICONE 10S
533010800	TUBE NUT D.10 M16*1,5
539071700	ADHES.LABEL FOR RING GREEN SIGN.
533020800	NOZZLE 0160-FLUSS. (25)
533020300	NOZZLE 0160 (NATURAL GAS) 1-2 (41)
533032601	NOZZLE §85 CH12X30,0
533033000	NOZZLE §075 CH12X30,0
533056600	NOZZLE §135 CH12*30 M-BM4
533046200	NOZZLE §150 CH12X30 L-BR TP
533046100	NOZZLE §140 CH12X30 MH-BR
533031901	NOZZLE §130 CH12*30 MH-FT34
533059100	NOZZLE §125A CH12*30 G-BM8
533047100	NOZZLE §100A CH12*30 GF-BM6/8
533047400	NOZZLE §195 CH12*30 M-BM8
533047300	NOZZLE §215 CH12*30 L-BM8
533047500	NOZZLE §205 CH12*30 ML-BM-8G
533046400	NOZZLE §185 CH12*30 G-CPM
-	-



560125700M00P00



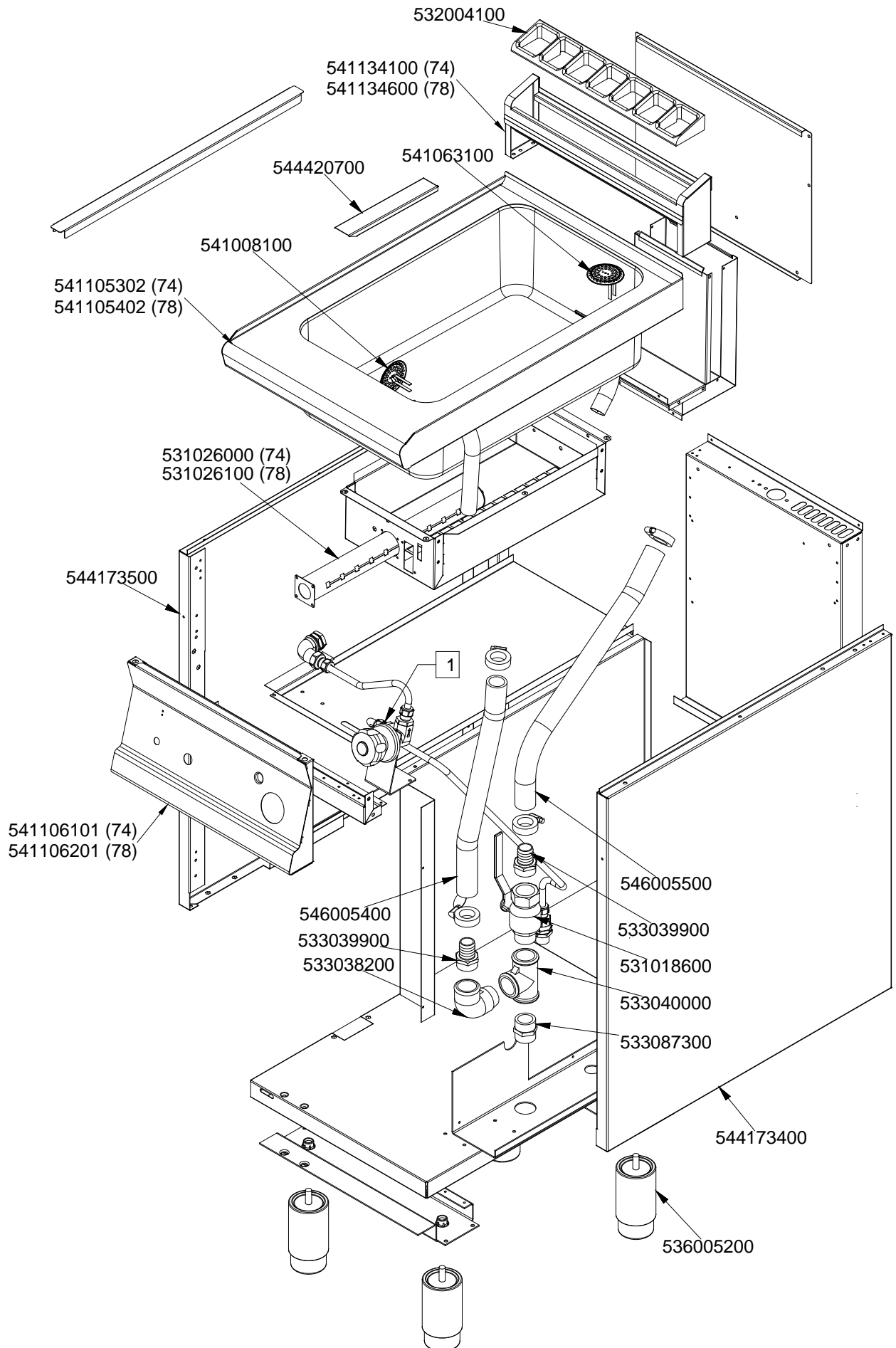
Objednávací kód	Popis v ENG
536042300	SILVER CHROM. RING FOR KNOB Ø77 4 P
536042100	SEAL CASING FOR KNOB Ø77 4 P
533162700	PROCESSING CODE



BM - 74 G, BM - 78 G N°≥0706

Platný od 1.5.2016

do 30.4.2019

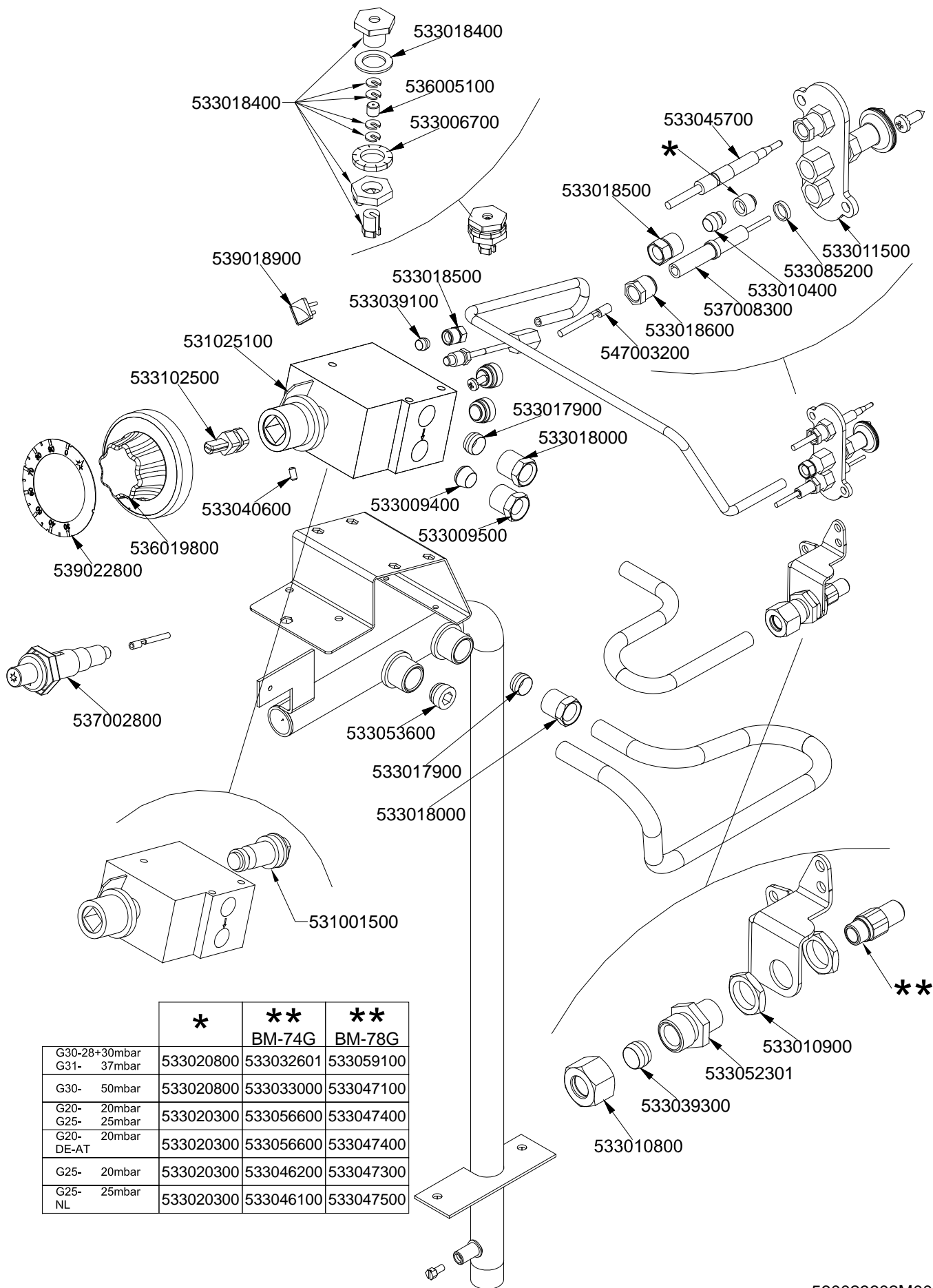




BM - 74 G, BM - 78 G N°≥0706

Platný od 1.5.2016

do 30.4.2019

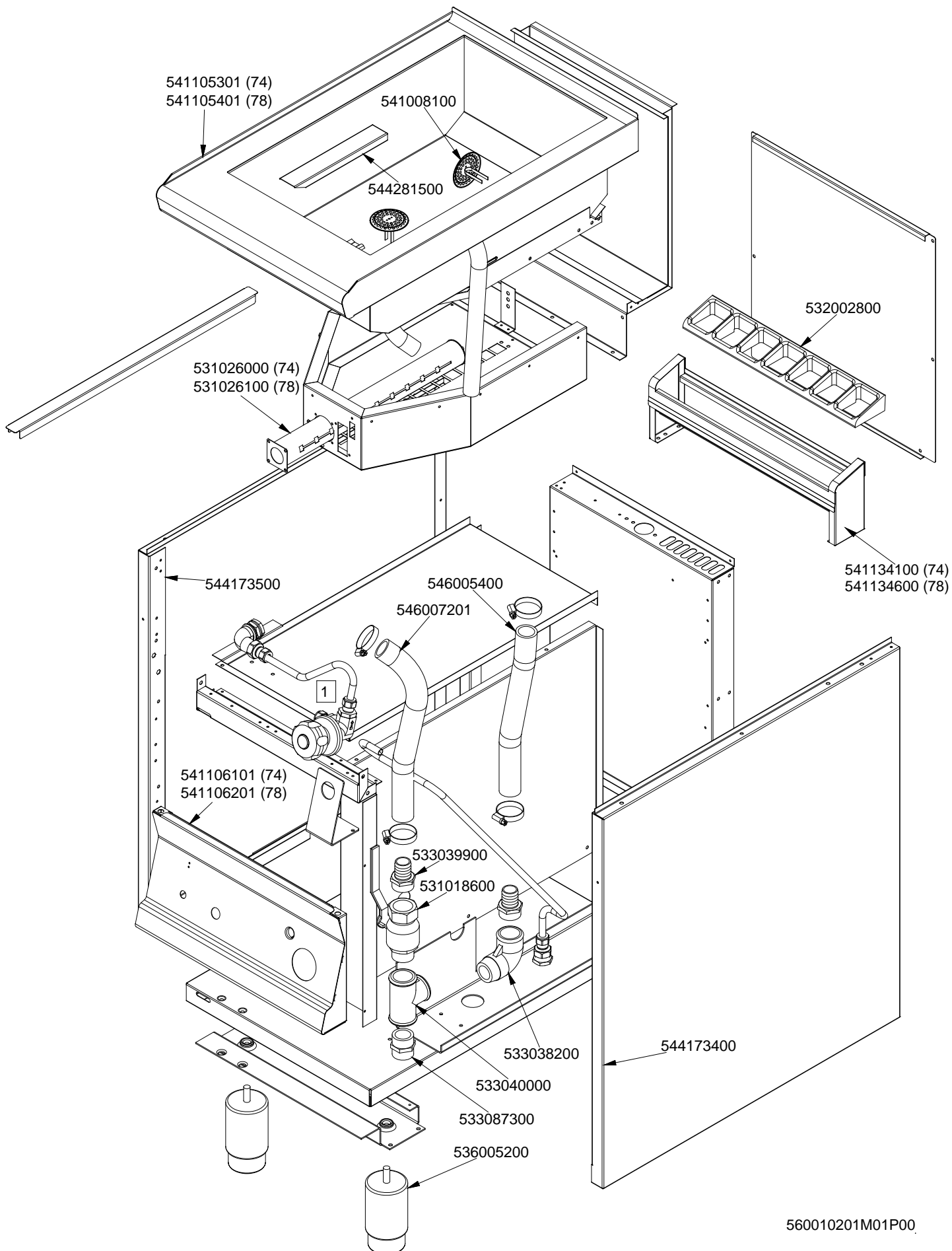


	*	**	**
		BM-74G	BM-78G
G30-28+30mbar G31- 37mbar	533020800	533032601	533059100
G30- 50mbar	533020800	533033000	533047100
G20- 20mbar G25- 25mbar	533020300	533056600	533047400
G20- 20mbar DE-AT	533020300	533056600	533047400
G25- 20mbar	533020300	533046200	533047300
G25- 25mbar NL	533020300	533046100	533047500

BM - 74 G, BM - 78 G N°≤0705

Platný od 1.5.2016

do 30.4.2019

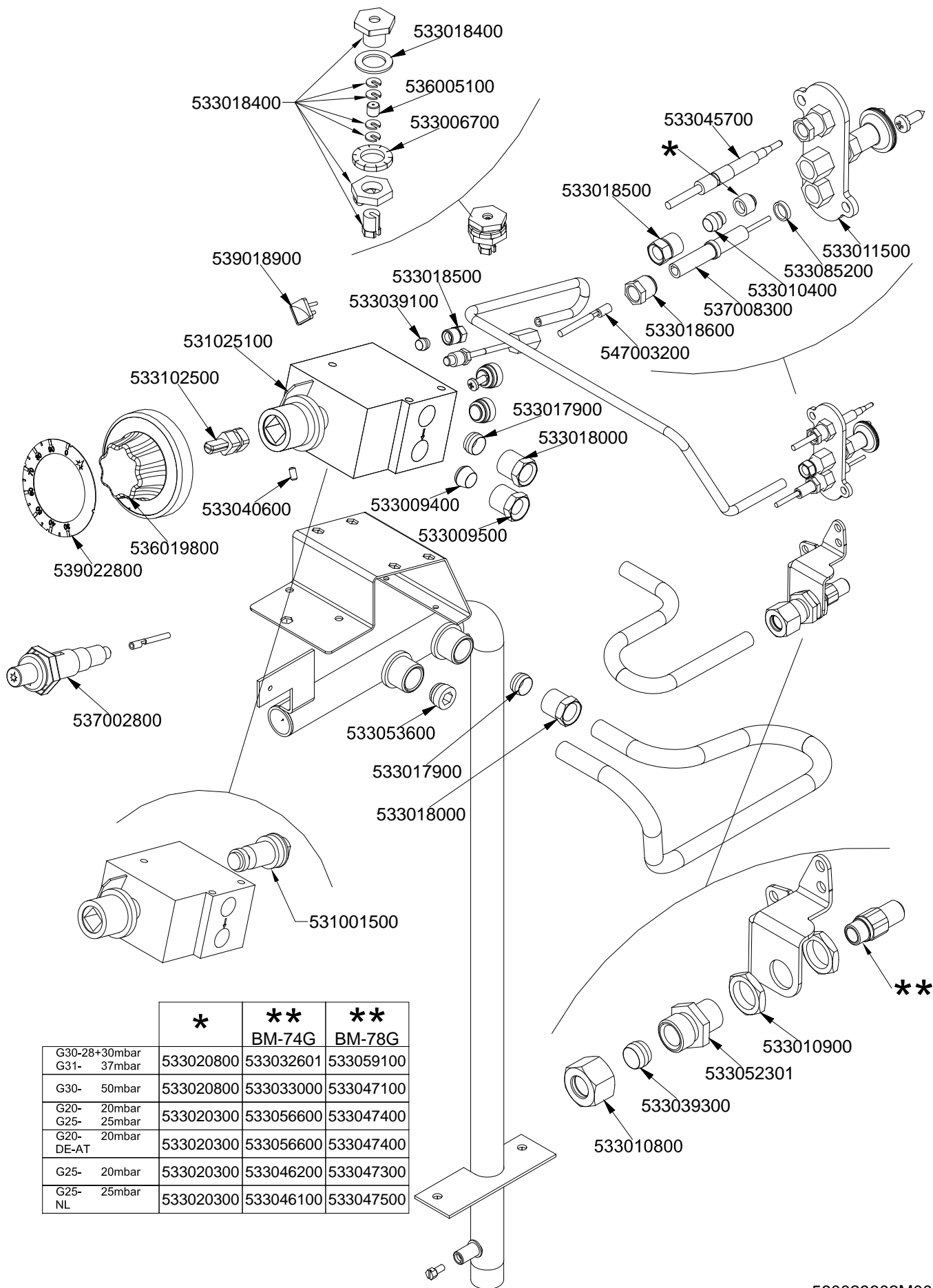




BM - 74 G, BM - 78 G N°≤0705

Platný od 1.5.2016

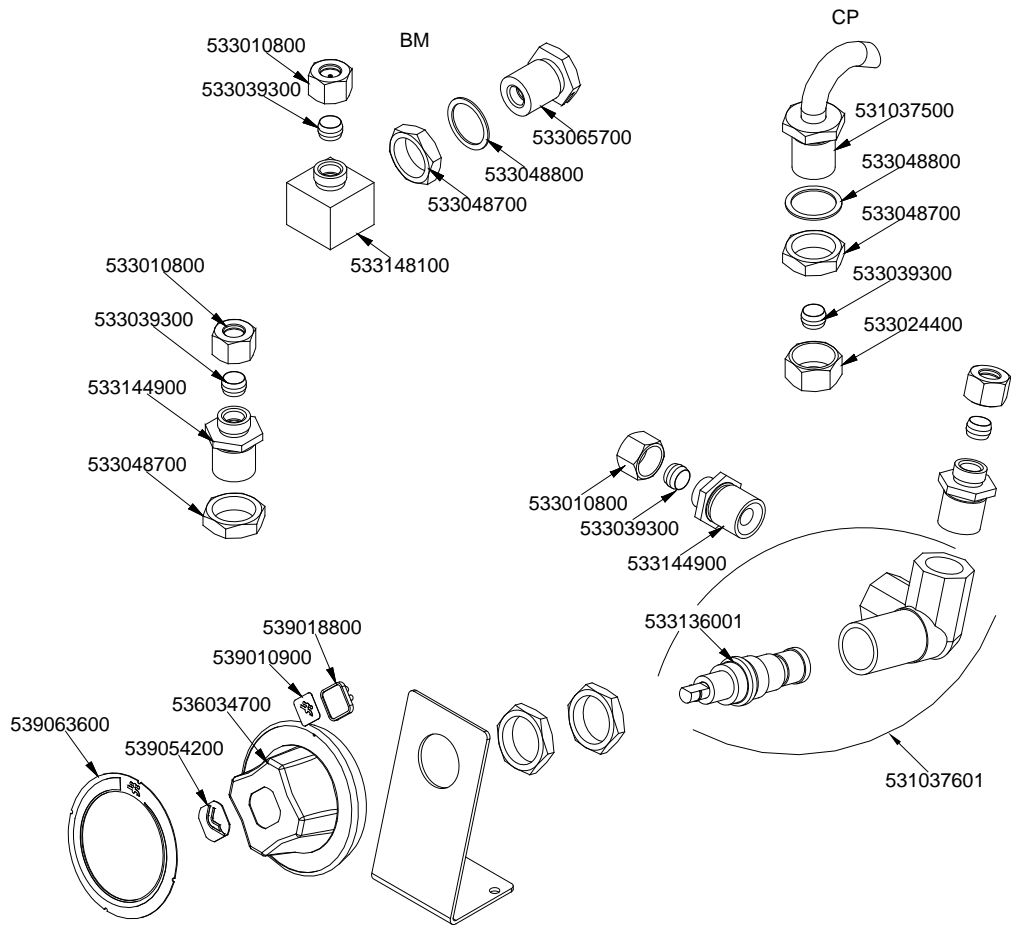
do 30.4.2019



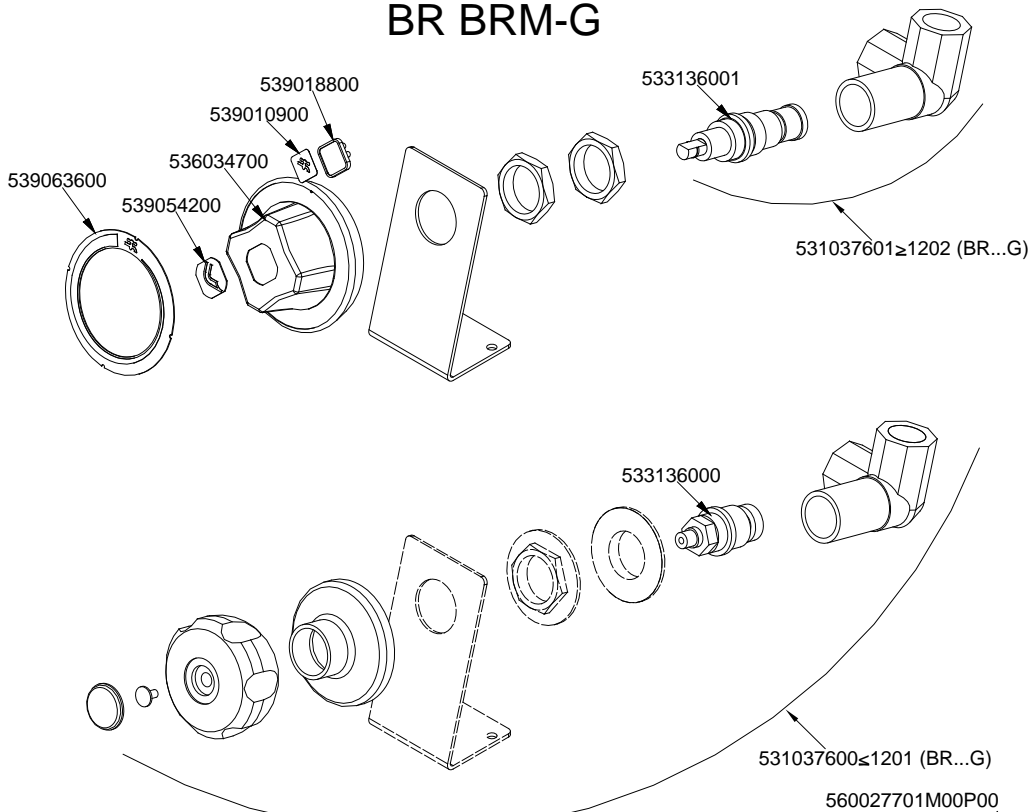
	*	**	**
		BM-74G	BM-78G
G30-28+30mbar G31- 37mbar	533020800	533032601	533059100
G30- 50mbar	533020800	533033000	533047100
G20- 20mbar G25- 25mbar	533020300	533056600	533047400
G20- 20mbar DE-AT	533020300	533056600	533047400
G25- 20mbar	533020300	533046200	533047300
G25- 25mbar NL	533020300	533046100	533047500



BM - 74 G, BM - 78 G
Platný od 1.5.2016
do 30.4.2019



BR BRM-G



BM - 74 G, BM - 78 G
Platný od 1.5.2016
do 30.4.2019

