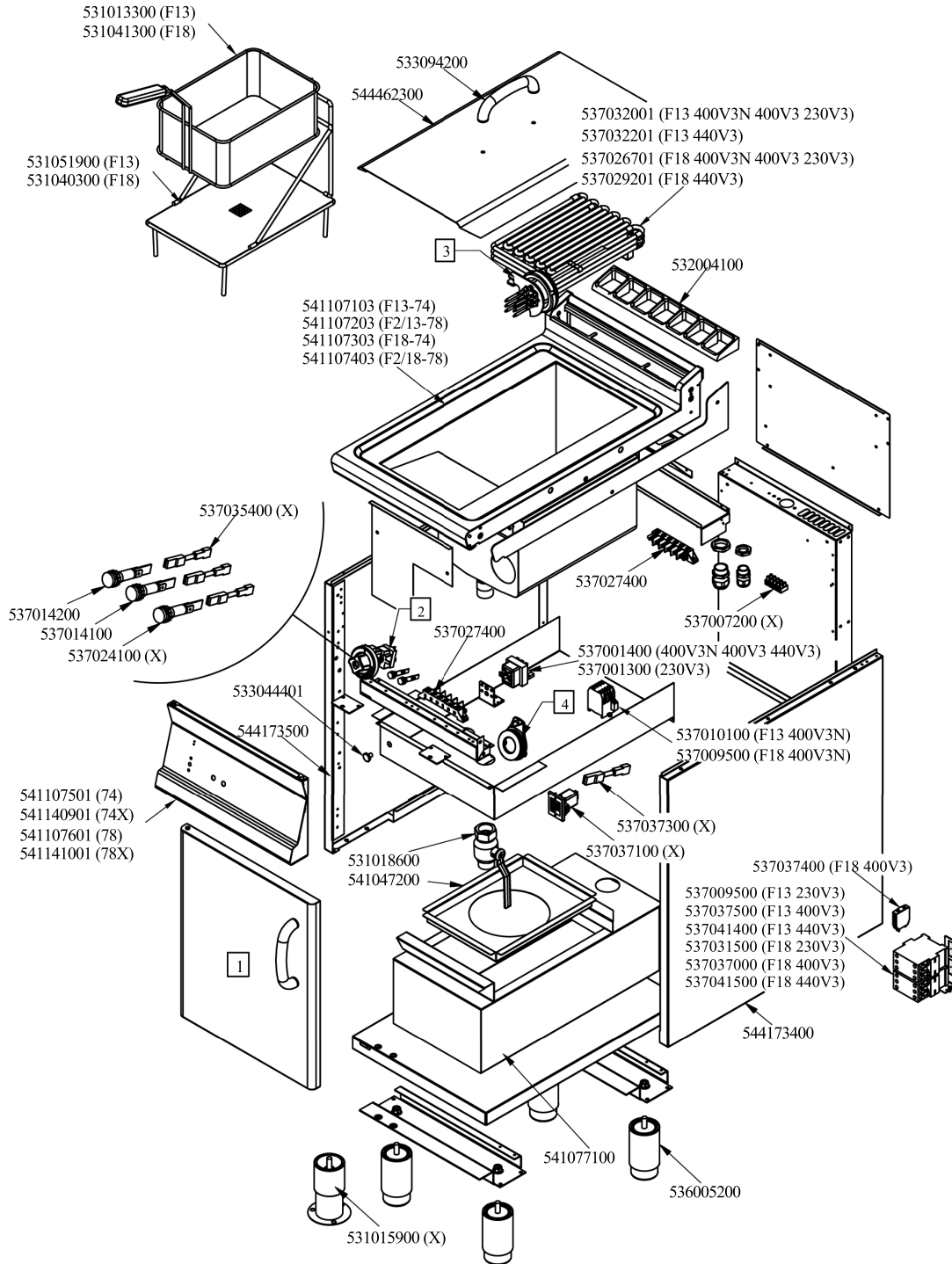




RM 700

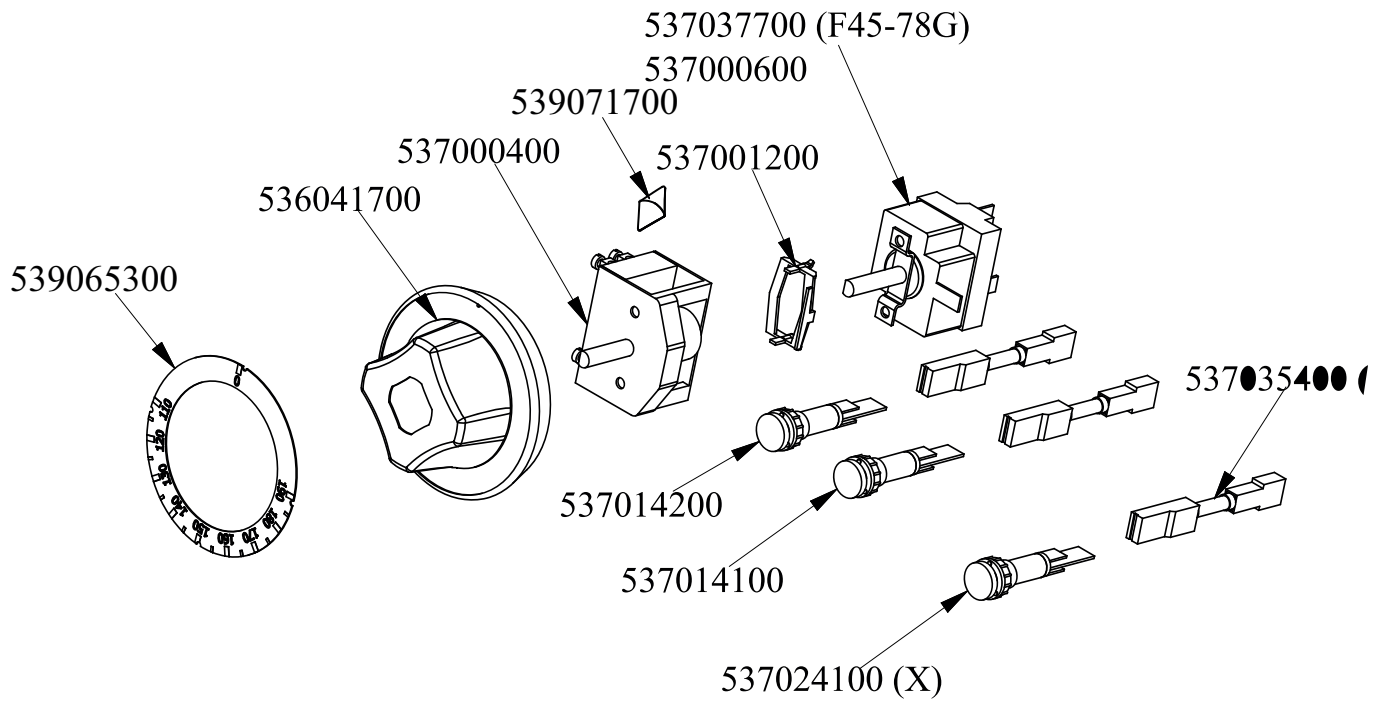
Platný od 1.5. 2019

F2/18-78ET





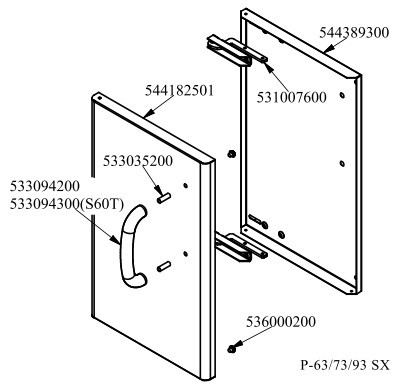
Objednáací kód	Popis v ENG
531041300	BASKET FOR F18-74/94E 280X290X150
531040300	TANK FILTER/BASKET SUPPORT F18+94E
544173400	RIGHT SIDE PANEL S.70
544173500	LEFT SIDE PANEL S.70
541047200	FILTER FOR DRIP TRAY
531018600	BALL VALVE 1"G M-F CPM-62G
533094200	S/S HANDLE FOR 70/90 SERIES
544462300	TANK LID FOR F-70
537027400	TERMINAL BLOCK THREEPHASE 40A
533044401	M8 THREADED CAP FOR SEC.THERMOSTAT
541077100	FILTER FOR DRIP TRAY 23L
537009500	REMOTE CONTR.SWITCH35A 690V B.230V
537001400	SAFETY THERMOSTAT 245°C THREEPHASE
541107403	
541107601	
537014200	GREEN WARNING LIGHT 250V
537014100	WHITE WARNING LIGHT 250V
532004100	FLUE GRID L=370 90LINE (RAF)
537026701	HEATING ELEMENT F18 15900W 3-230V
536005200	INOX LEG 2" 120-180 M10
-	-
-	-
-	-
-	-



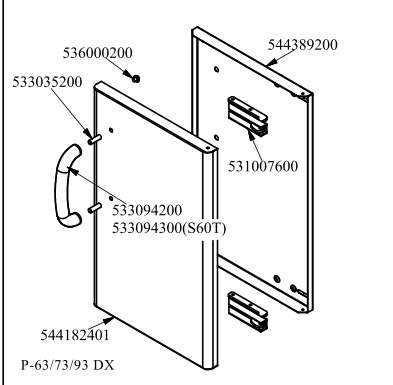
560100201M00P00



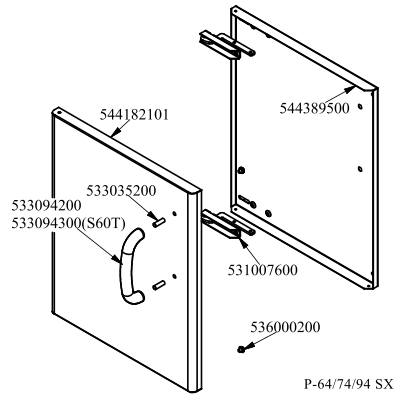
Objednací kód	Popis v ENG
539065300	BLACK STICKING DISK 72 (110,190°)
536041700	SILVER CHROM. KNOB Ø77 4P.G.Ø06X4,6
537000400	COMMUTATOR 1POS.SINGLEPHASE S49 16A
539071700	ADHES.LABEL FOR RING GREEN SIGN.
537001200	FIXING BRACKET FOR THERMOSTAT/COMM.
537037700	THERMOSTAT MONOPHASE 104-192°C
537000600	THERMOSTAT 90-180°C SINGLEPHASE
537014200	GREEN WARNING LIGHT 250V
537014100	WHITE WARNING LIGHT 250V
537024100	RED WARNING LIGHT LOW BUD 110V
537035400	HEATING ELEMENT 00003W 330KOHM W/F



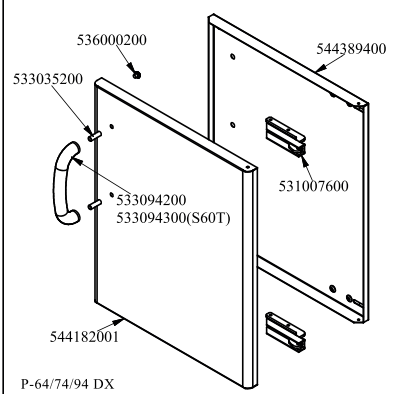
P-63/73/93 SX



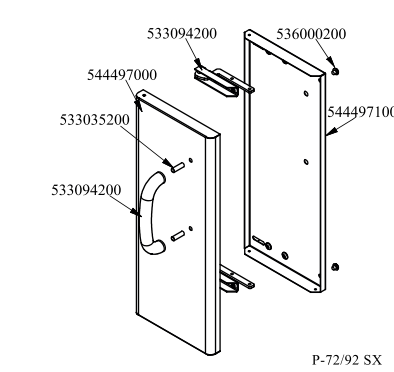
P-63/73/93 DX



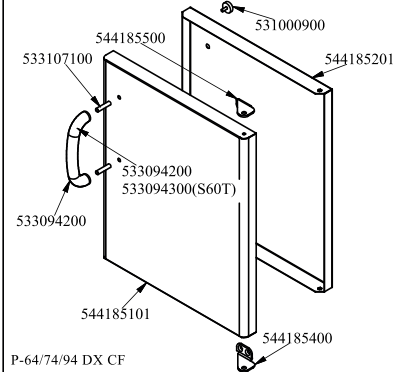
P-64/74/94 SX



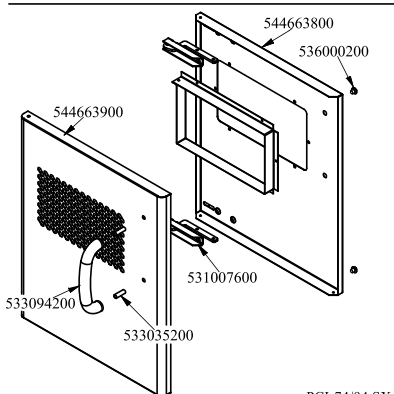
P-64/74/94 DX



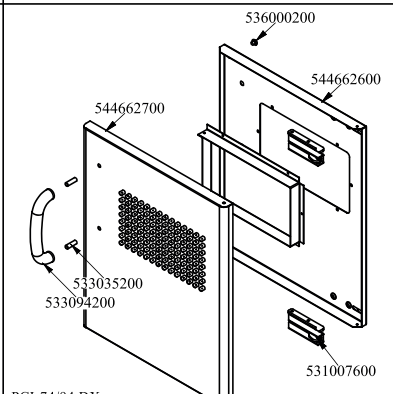
P-72/92 SX



P-64/74/94 DX CF



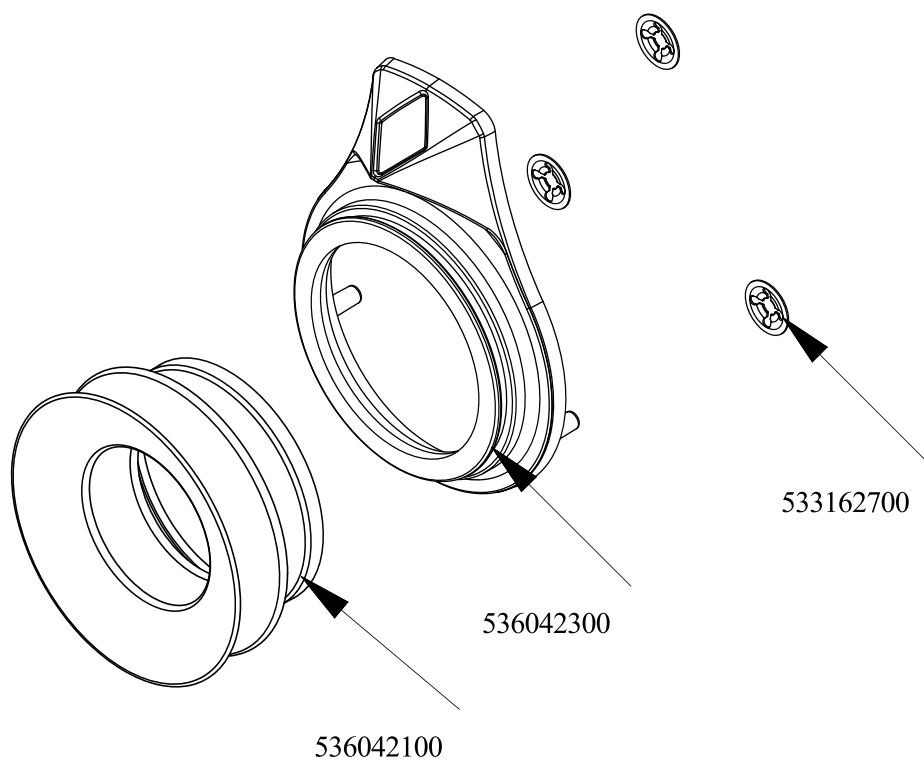
PCI-74/94 SX



PCI-74/94 DX



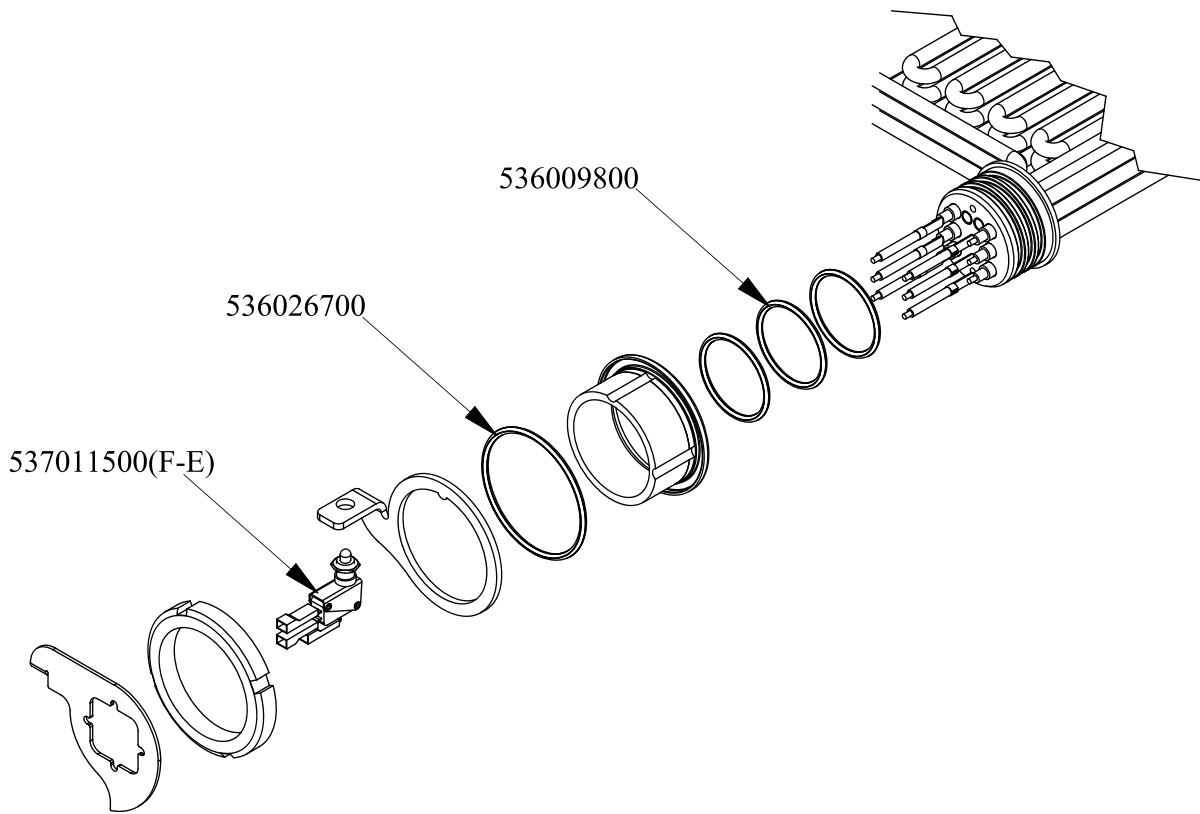
Objednačí kód	Popis v ENG
544185101	RIGHT DOOR 74 CF
533107100	HANDLE SPACER OF CF-70
533094200	S/S HANDLE FOR 70/90 SERIES
544185400	LOWER DOOR HINGE FOR COMPARTME CF70
544185500	UPPER DOOR HINGE FOR COMPARTME CF70
544185201	INNER DOOR * 74DX
531000900	MAGNET §22 KG.3 WITH DISK
536000200	D.12 H.4 BUMPER
544182001	RIGHT DOOR 74
531007600	DOOR HINGE
544389400	
533035200	HANDLE SPACER
544182101	LEFT DOOR 74
544389500	INNER-DOOR OF LHD 74
544182401	RIGHT DOOR 73
544389200	
544389300	
544182501	LEFT DOOR 73
544497000	
544497100	
544663900	LHD 74 DOOR FOR PCI
544663800	74 LHD OVEN INNER DOOR FOUR PCI
544662700	DOOR 74 DX PCI
544662600	
533094300	S/S HANDLE FOR 600T.LINE



560125700M00P00



Objednací kód	Popis v ENG
536042300	SILVER CHROM. RING FOR KNOB Ø77 4 P
536042100	SEAL CASING FOR KNOB Ø77 4 P
533162700	PROCESSING CODE



560111000M00P00



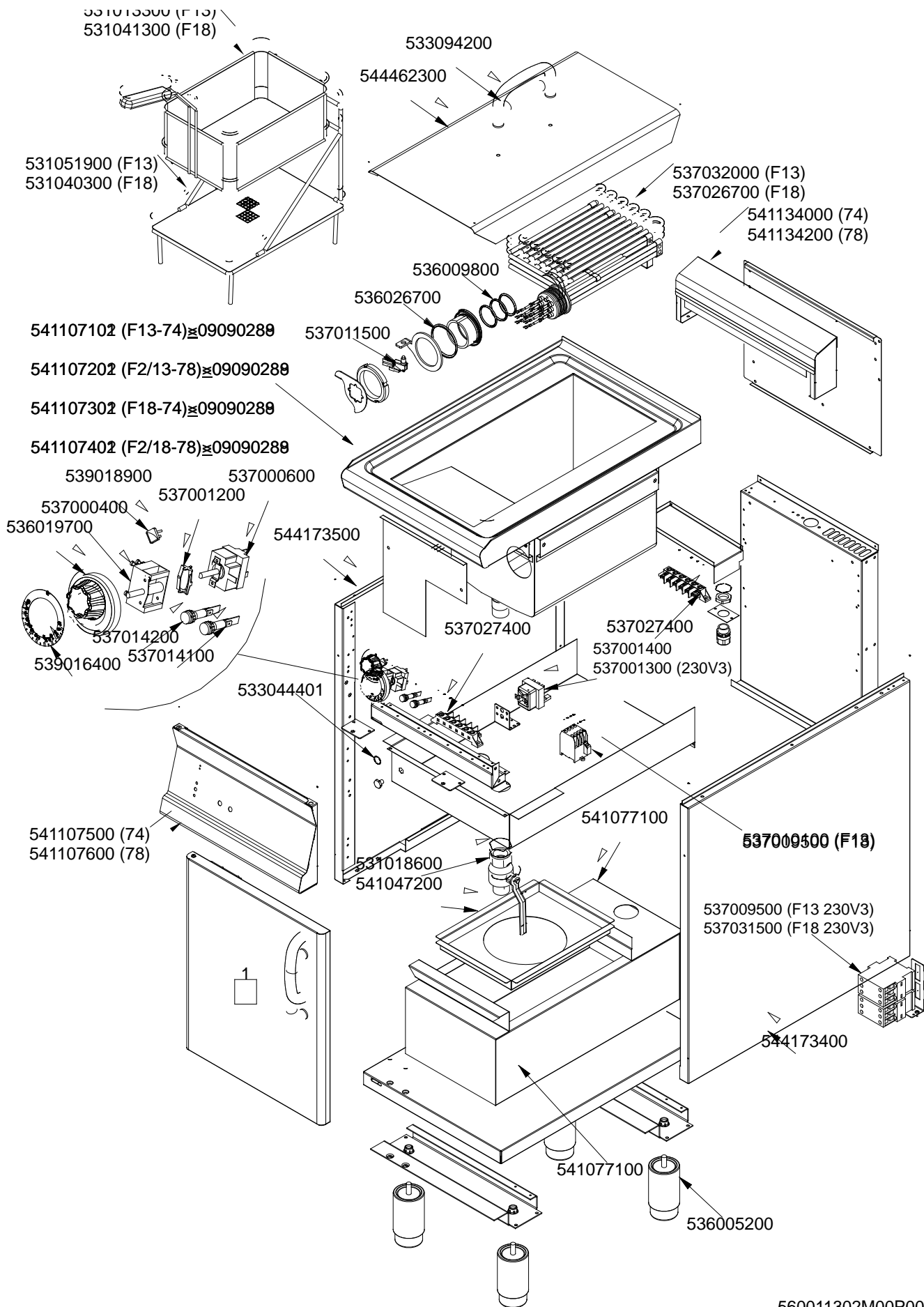
Objednací kód	Popis v ENG
536009800	GASKET O-RING 47,22X3,53 VITON
536026700	GASKET O-RING 74,61X3,53 VITON
537011500	MICRO-SWITCH 10A 400V



F13 - 74 ET, F2/13 - 78 ET, F18 - 74 ET, F2/18 - 78 ET >07040724

Platný od 1.5.2016

do 30.4.2019

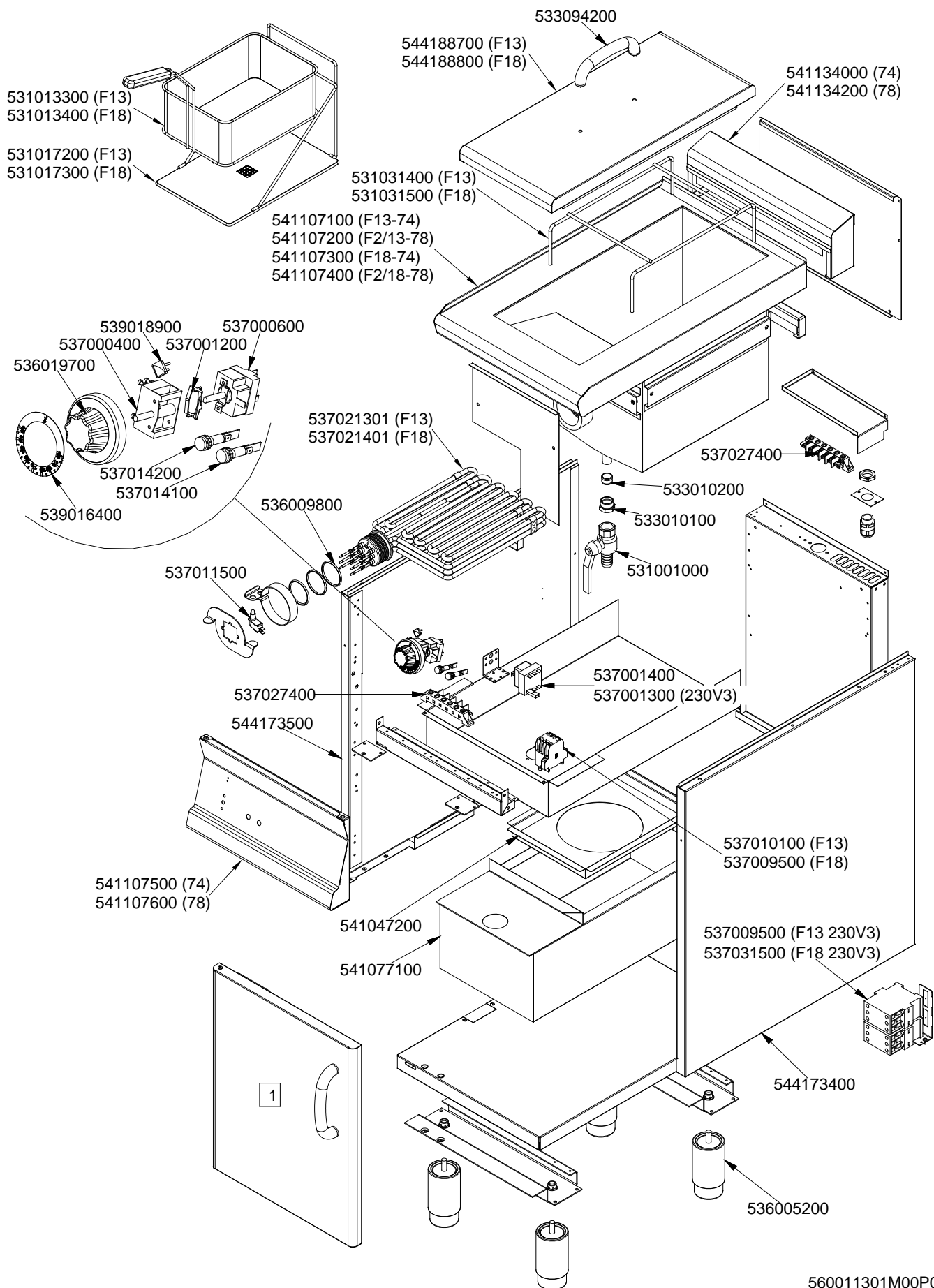




F13 - 74 ET, F2/13 - 78 ET, F18 - 74 ET, F2/18 - 78 ET <07040723

Platný od 1.5.2016

do 30.4.2019



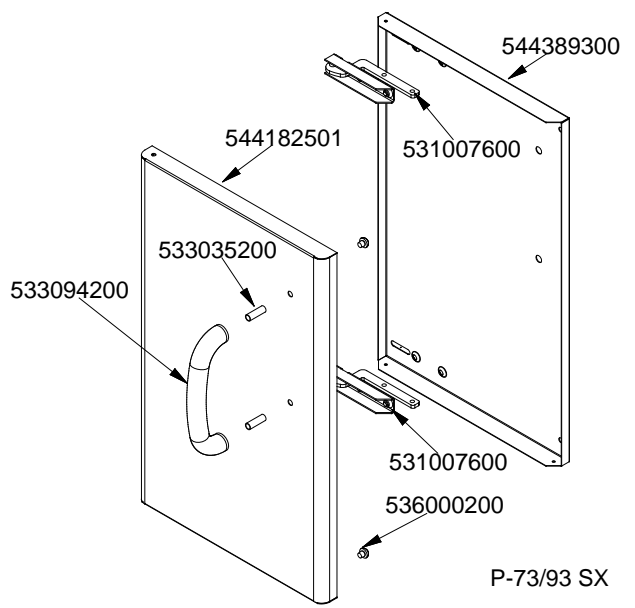


BRF - 74 ET, BRF - 78 ET

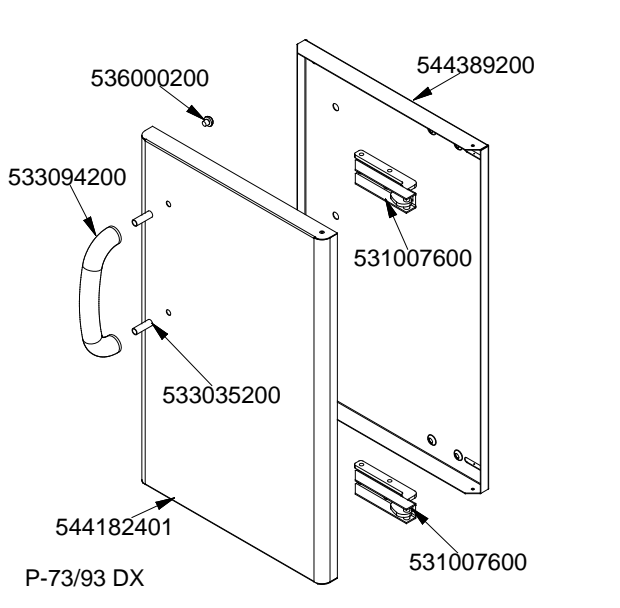
(1)

Platný od 1.5.2016

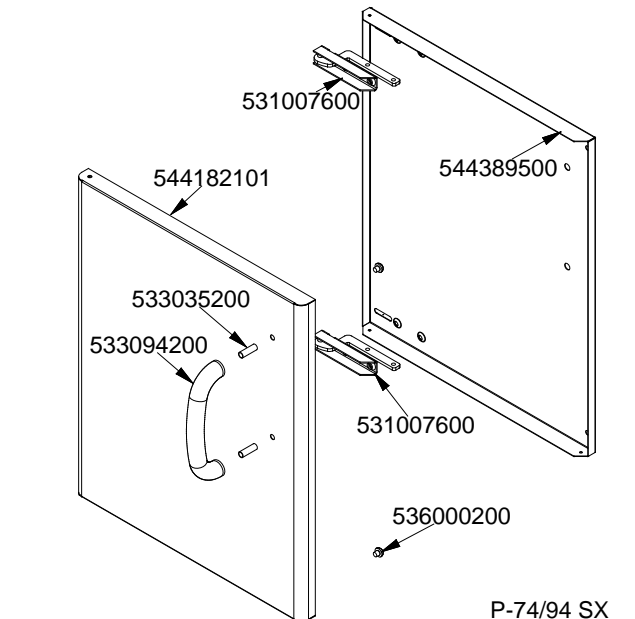
do 30.4.2019



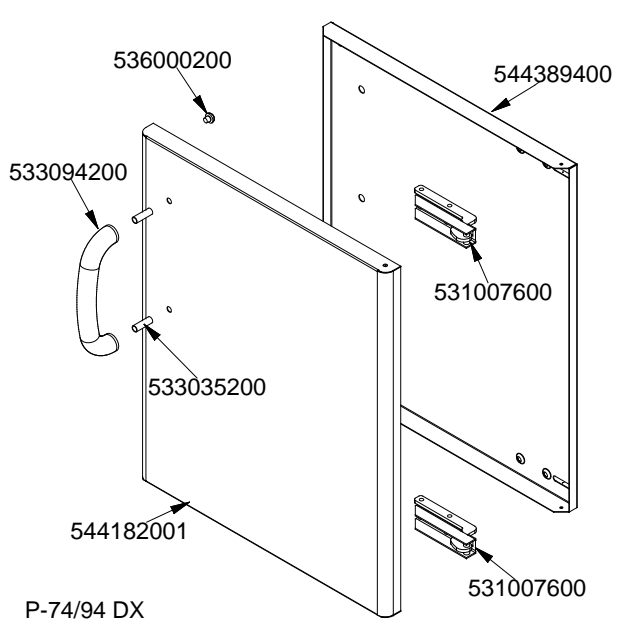
P-73/93 SX



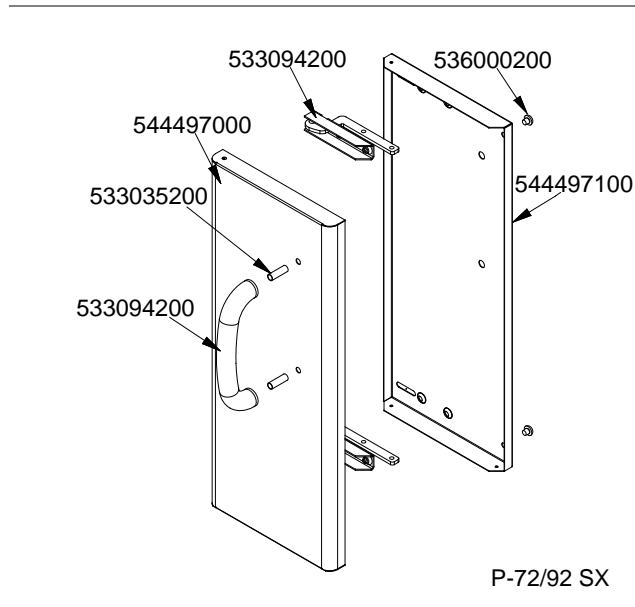
P-73/93 DX



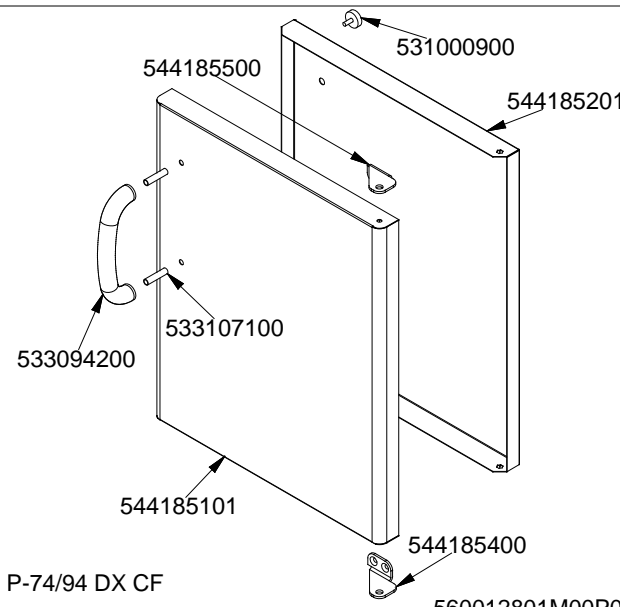
P-74/94 SX



P-74/94 DX



P-72/92 SX



P-74/94 DX CF

560012801M00P00