

# Technical data sheet

## Product features



### Boiling kettle electric indirect 50l

<b>Model</b>	<b>SAP Code</b>	00013691
--------------	-----------------	----------



- Device type: Electric unit
- Device heating type: Indirect
- Steam pressure regulation: Automatic - the pressure switch regulates the performance of the device
- Filling: Mechanical cock
- Jacket filling: Automatic
- Drain valve diameter: 2
- Basin dimensions [mm x mm x mm]: d400 x 450
- Basin volume [l]: 50
- Usable volume [l]: 50

<b>SAP Code</b>	00013691	<b>Loading</b>	400 V / 3N - 50 Hz
<b>Net Width [mm]</b>	800	<b>Basin volume [l]</b>	50
<b>Net Depth [mm]</b>	705	<b>Usable volume [l]</b>	50
<b>Net Height [mm]</b>	900	<b>Basin dimensions [mm x mm x mm]</b>	d400 x 450
<b>Net Weight [kg]</b>	110.00	<b>Device heating type</b>	Indirect
<b>Power electric [kW]</b>	9.000	<b>Steam pressure regulation</b>	Automatic - the pressure switch regulates the performance of the device

# Technical data sheet

Technical drawing

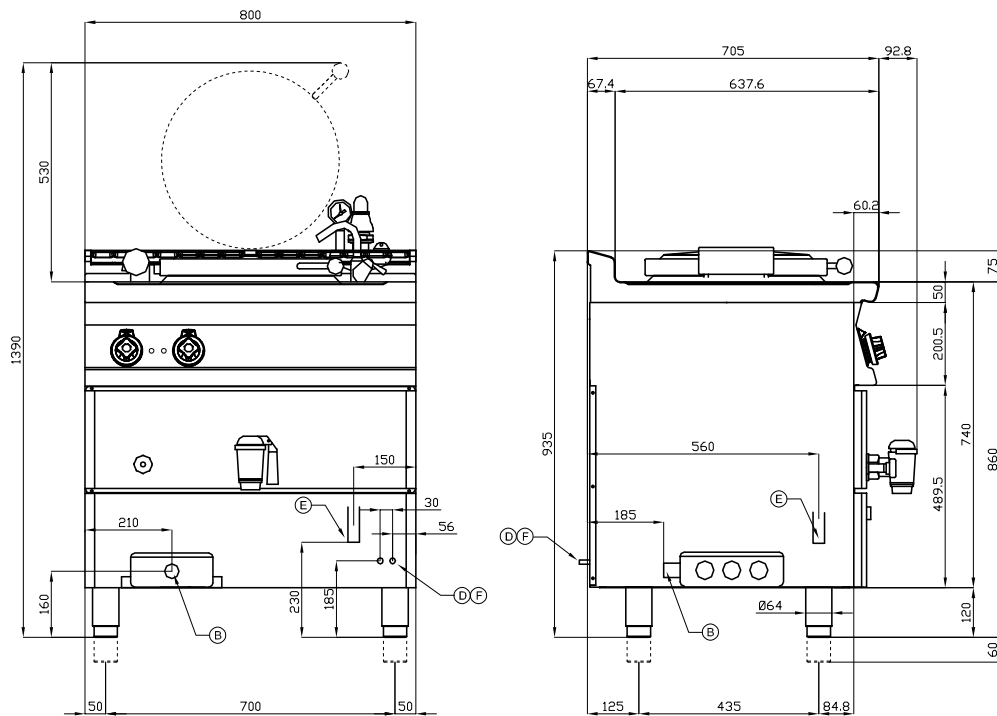


## Boiling kettle electric indirect 50l

Model

SAP Code

00013691



A	Data plate		B	Electrical connection	
D	Cold water connection	Ø10mm	E	Water drainage	Ø25mm
F	Hot water connection	Ø10mm			

# Technical data sheet

Technical parameters



## Boiling kettle electric indirect 50l

Model

SAP Code

00013691

### 1. SAP Code:

00013691

### 2. Net Width [mm]:

800

### 3. Net Depth [mm]:

705

### 4. Net Height [mm]:

900

### 5. Net Weight [kg]:

110.00

### 6. Gross Width [mm]:

830

### 7. Gross depth [mm]:

770

### 8. Gross Height [mm]:

1110

### 9. Gross Weight [kg]:

120.00

### 10. Device type:

Electric unit

### 11. Construction type of device:

With substructure

### 12. Power electric [kW]:

9.000

### 13. Loading:

400 V / 3N - 50 Hz

### 14. Protection of controls:

IPX4

### 15. Device color:

Stainless steel

### 16. Material:

AISI 304 top plate and cladding

### 17. Indicators:

operation and warm-up

### 18. Drain valve diameter:

2

### 19. Worktop type:

Molded - comfortable cleaning maintenance

### 20. Worktop material:

AISI 304

### 21. Worktop Thickness [mm]:

2.00

### 22. Device heating type:

Indirect

### 23. Basin volume [l]:

50

### 24. Basin dimensions [mm x mm x mm]:

d400 x 450

### 25. Power control type:

infinitely adjustable power

### 26. Service accessibility:

Trough the frontal panel

# Technical data sheet

Technical parameters



## Boiling kettle electric indirect 50l

Model

SAP Code

00013691

### 27. Safety element:

the safety pressure fitting prevents the risk of overpressurization of the duplicator and subsequent explosion  
safety thermostat

### 28. Safety thermostat:

Yes

### 29. Adjustable feet:

Yes

### 30. Bottom material:

AISI 316

### 31. Type of pan:

Fixed

### 32. Usable volume [l]:

50

### 33. Filling:

Mechanical cock

### 34. Jacket filling:

Automatic

### 35. Steam pressure regulation:

Automatic - the pressure switch regulates the performance of the device

### 36. Type of drain valve:

conical

### 37. Overflow:

Yes

### 38. Manometer:

Yes

### 39. Water filling type:

Both cold and warm