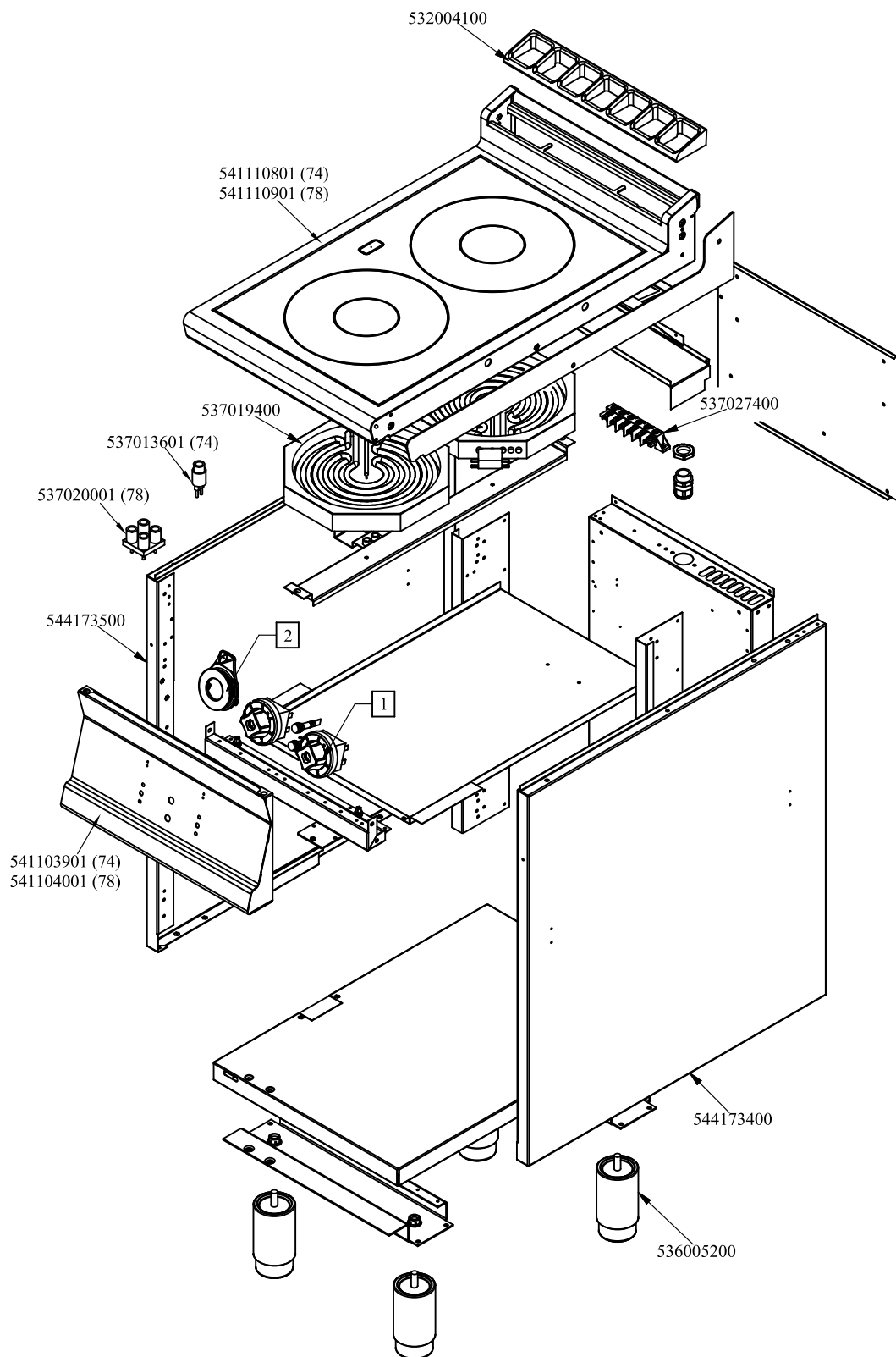


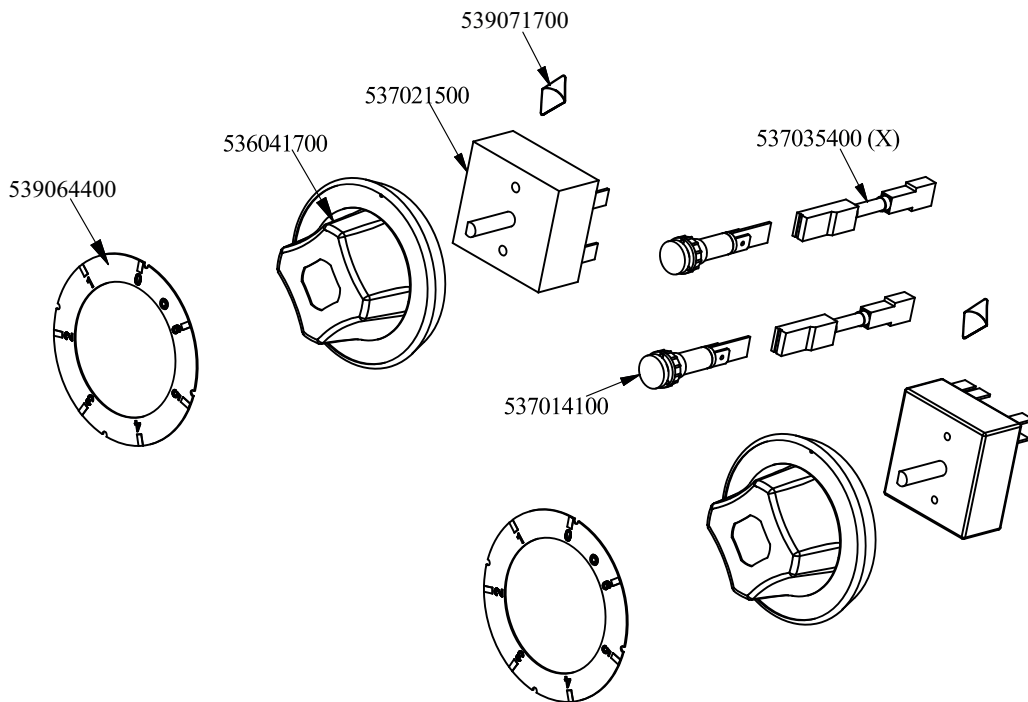
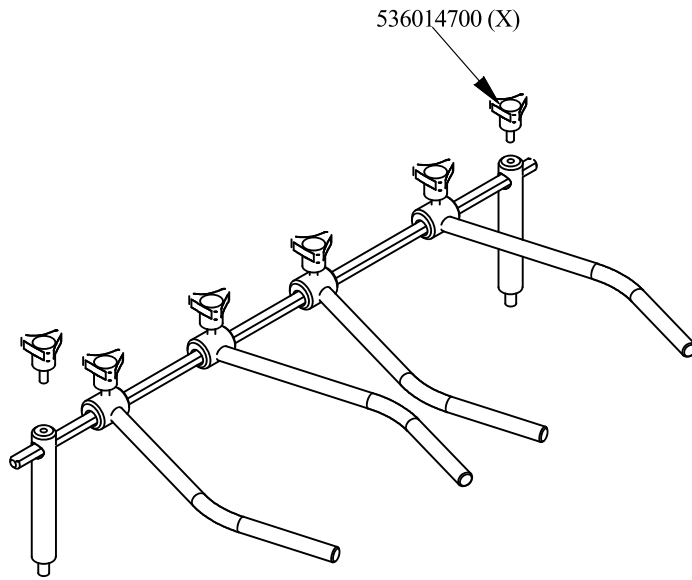


RM 700
 Platný od 1.5. 2019
 PCC-74ET, PCC-78ET



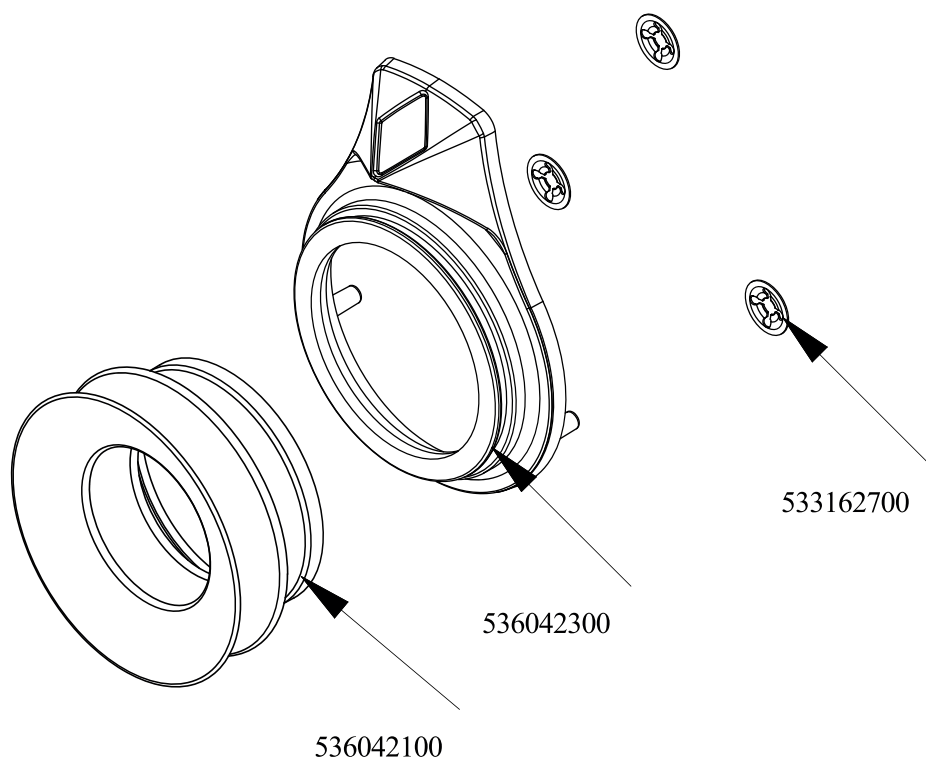


| Objednací kód | Popis v ENG |
|---------------|------------------------------------|
| 541110901 | COMPLETE GLASS TOP FOR PCC-78E |
| 537020001 | REMAINING HEAT 4 PILOT LIGHTS UNIT |
| 541104001 | FRONTAL PANEL * S607090 PC-9 8E |
| 544173500 | LEFT SIDE PANEL S.70 |
| 537027400 | TERMINAL BLOCK THREEPHASE 40A |
| 537019400 | RADIATION HEATER Ø250 230V |
| 544173400 | RIGHT SIDE PANEL S.70 |
| 536005200 | INOX LEG 2" 120-180 M10 |
| 532004100 | FLUE GRID L=370 90LINE (RAF) |
| - | - |
| - | - |





| Objednačí kód | Popis v ENG |
|---------------|-------------------------------------|
| 537021500 | REGULATOR FOR EL.PLATE 2CIRC.230V |
| 539071700 | ADHES.LABEL FOR RING GREEN SIGN. |
| 537014100 | WHITE WARNING LIGHT 250V |
| | |
| 536041700 | SILVER CHROM. KNOB Ø77 4P.G.Ø06X4,6 |
| 539064400 | BLACK ADESIVE DISK FOR PCC-E |
| 536014700 | 3 DRILL WHEELS |
| 537035400 | HEATING ELEMENT 00003W 330KOHM W/F |



560125700M00P00



| Objednací kód | Popis v ENG |
|---------------|-------------------------------------|
| 536042300 | SILVER CHROM. RING FOR KNOB Ø77 4 P |
| 536042100 | SEAL CASING FOR KNOB Ø77 4 P |
| 533162700 | PROCESSING CODE |