

Technical data sheet

Product features



Boiling kettle electric indirect 370 l

Model	SAP Code	00005885
--------------	-----------------	----------



- Device type: Electric unit
- Device heating type: Indirect
- Steam pressure regulation: Automatic - the pressure switch regulates the performance of the device
- Filling: Semi-automatic
- Jacket filling: Semi-automatic
- Drain: Yes
- Drain valve diameter: 2â€ â€
- Basin dimensions [mm x mm x mm]: 1500 x 550 - 480
- Basin volume [l]: 370
- Usable volume [l]: 370

SAP Code	00005885	Loading	400 V / 3N - 50 Hz
Net Width [mm]	1800	Basin volume [l]	370
Net Depth [mm]	900	Usable volume [l]	370
Net Height [mm]	900	Basin dimensions [mm x mm x mm]	1500 x 550 - 480
Net Weight [kg]	390.00	Device heating type	Indirect
Power electric [kW]	36.000	Steam pressure regulation	Automatic - the pressure switch regulates the performance of the device

Technical data sheet

Technical drawing



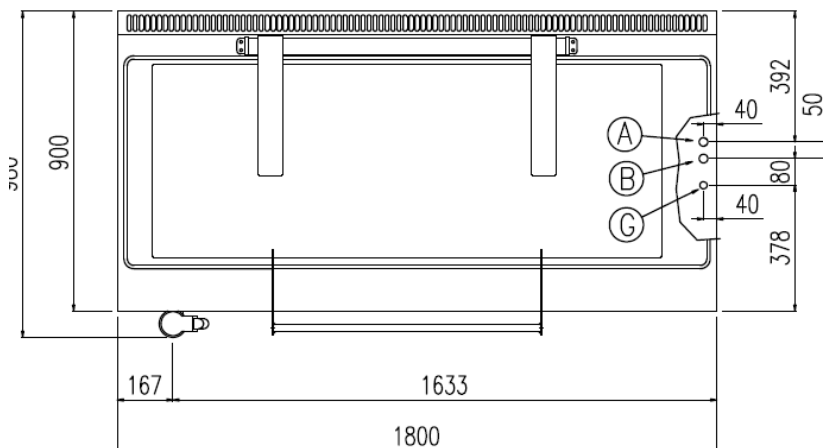
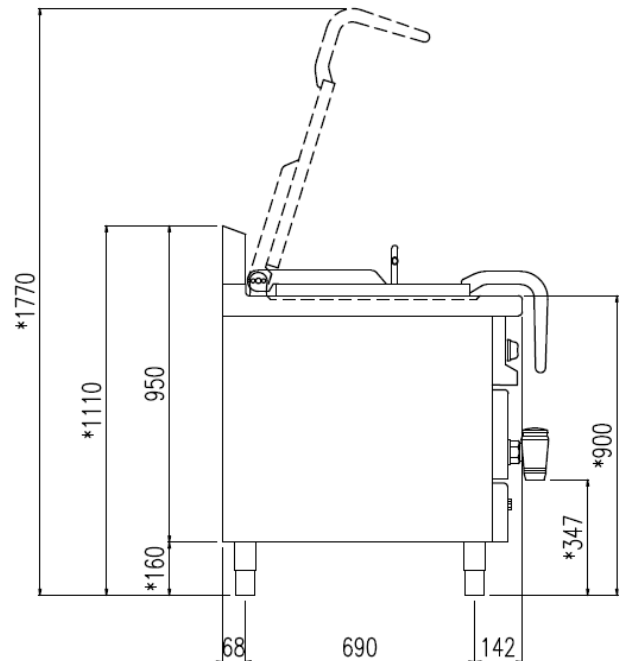
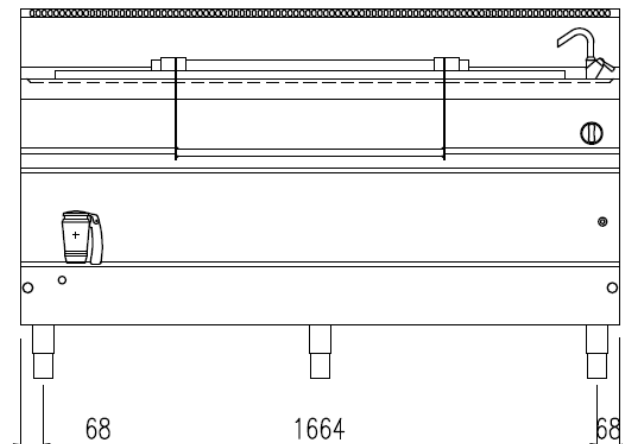
Boiling kettle electric indirect 370 l

Model

SAP Code

00005885

* (REG. -35 ; + 25 mm)



Technical data sheet

Product benefits



Boiling kettle electric indirect 370 l

Model

SAP Code

00005885

1

Degree of protection of the control elements IPX4

maintenance-free system
resistance to splash water
long life

- savings on service interventions
- easier and faster operation

2

Smart handle

protection against scalding when lifting the lid
easy handling to operate at any height

- high security
- fewer health problems caused by poor ergonomics

3

Duplicator bottom AISI 316

long service life even in an aggressive salty environment

- savings on service interventions
- avoidance of losses due to interruptions in plant operation

4

All-stainless design including bottom

the material does not rust, including the bottom
wear resistance of AISI 304 material
long life

- savings on service interventions
- easy cleaning and maintenance of equipment

5

Upper hygienic molding with an opening for the drainage of excess contents

spilled or overflowing liquids around the boiler neck can drain into the waste

- easier to keep the workplace clean
- easier to maintain hygiene standards
- easier cleaning of the boiler surface

6

Filling taps for hot and cold water

the possibility of filling the boiler with water from above

- easier filling and draining of water
- easier to wash with hot water
- convenient faucet control on top of the boiler

Technical data sheet

Technical parameters



Boiling kettle electric indirect 370 l

Model

SAP Code

00005885

1. SAP Code:

00005885

2. Net Width [mm]:

1800

3. Net Depth [mm]:

900

4. Net Height [mm]:

900

5. Net Weight [kg]:

390.00

6. Gross Width [mm]:

1800

7. Gross depth [mm]:

900

8. Gross Height [mm]:

1000

9. Gross Weight [kg]:

410.00

10. Device type:

Electric unit

11. Construction type of device:

Stationary

12. Power electric [kW]:

36.000

13. Loading:

400 V / 3N - 50 Hz

14. Protection of controls:

IPX4

15. Device color:

Stainless steel

16. Material:

AISI 304

17. Indicators:

operation and warm-up

18. Drain valve diameter:

2â€ â€

19. Worktop type:

Molded - comfortable cleaning maintenance

20. Worktop material:

AISI 304

21. Device heating type:

Indirect

22. Basin volume [l]:

370

23. Basin dimensions [mm x mm x mm]:

1500 x 550 - 480

24. Safety thermostat:

Yes

25. Adjustable feet:

Yes

26. Bottom material:

AISI 316

27. Usable volume [l]:

370

28. Filling:

Semi-automatic

Technical data sheet

Technical parameters



Boiling kettle electric indirect 370 l

Model

SAP Code

00005885

29. Jacket filling:

Semi-automatic

33. Manometer:

Yes

30. Steam pressure regulation:

Automatic - the pressure switch regulates the performance of the device

34. Water filling type:

Cold

31. Type of drain valve:

conical

35. Drain:

Yes

32. Overflow:

Yes