

Technical data sheet



Product features

Chilled display unit GN 4-1/1 bottom cover, upwards opening, Hemlock

Model	SAP Code	00012140
--------------	-----------------	----------



- Buffet type: PLATINUM - dynamically cooled showcase
- Device properties: Chilled
- Number of GN / EN: 4
- GN / EN size in device: GN 1/1
- GN device depth: 200
- Minimum device temperature [°C]: 4
- Maximum device temperature [°C]: 8
- Opening of device: Flip up

SAP Code	00012140	Loading	230 V / 1N - 50 Hz
Net Width [mm]	1494	Number of GN / EN	4
Net Depth [mm]	760	GN / EN size in device	GN 1/1
Net Height [mm]	1688	GN device depth	200
Net Weight [kg]	264.00	Minimum device temperature [°C]	4
Power electric [kW]	0.494	Maximum device temperature [°C]	8

Technical data sheet



Technical drawing

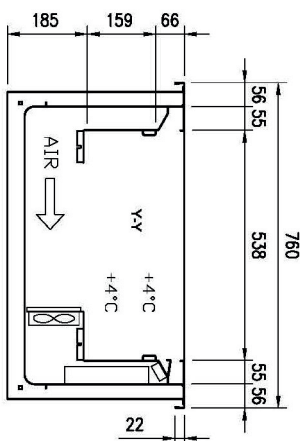
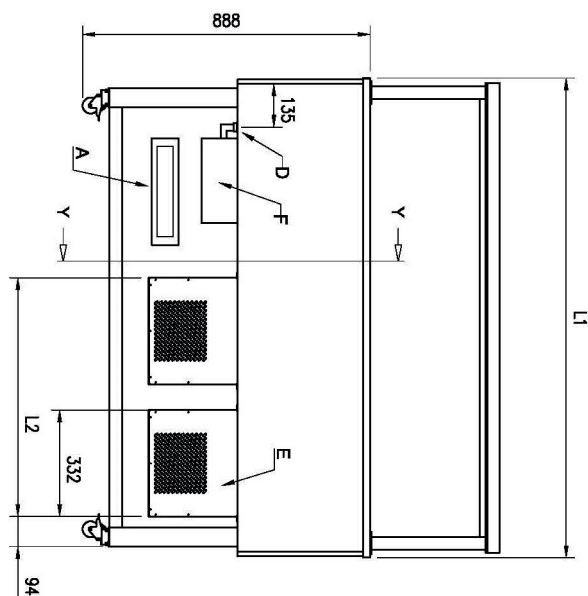
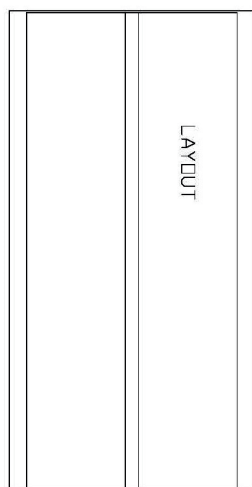
Chilled display unit GN 4-1/1 bottom cover, upwards opening, Hemlock

Model

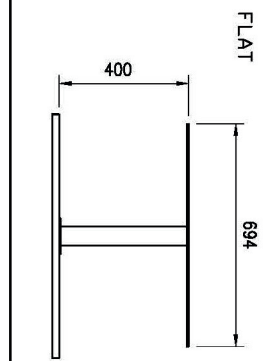
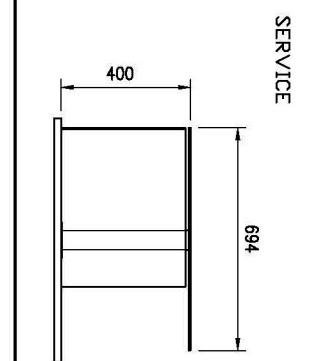
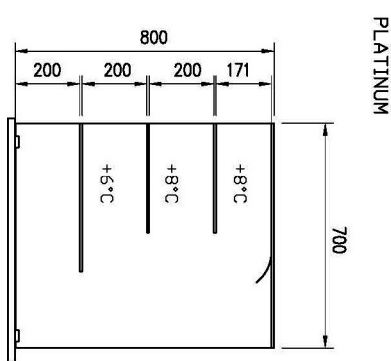
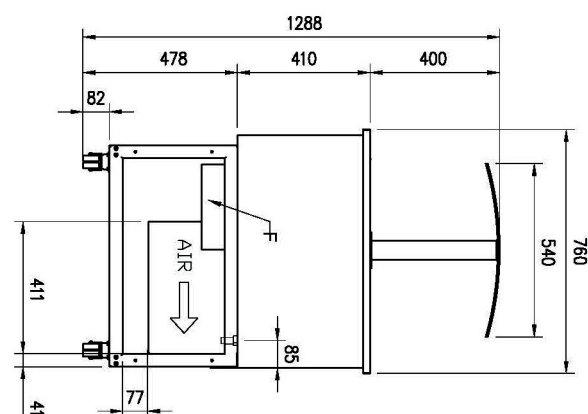
SAP Code

00012140

A = ELECTRICAL CONNECTION
 D = WATER DISCHARGE ø16
 E = GAS CONNECTION ø8 ø10
 F = WATER BOX



GN	L1	L2
4/1	1494	744
6/1	2144	1069



Technical data sheet



Product benefits

Chilled display unit GN 4-1/1 bottom cover, upwards opening, Hemlock

Model	SAP Code	00012140
--------------	-----------------	----------

- 1 Dynamic cooling**
constant temperature in all places of the refrigerated space
 - greater hygienic safety of chilled food
- 2 LED lighting**
minimal energy consumption
 - economical lighting
 - attractive appearance
- 3 Surface height regulation**
a large range of the height of the bottom surface of the display case
 - greater variability of product storage
 - space saving
- 4 Braked travel wheels**
easy handling
 - the possibility to easily move the display case during operation as required

Technical data sheet



Technical parameters

Chilled display unit GN 4-1/1 bottom cover, upwards opening, Hemlock

Model

SAP Code

00012140

1. SAP Code:

00012140

2. Net Width [mm]:

1494

3. Net Depth [mm]:

760

4. Net Height [mm]:

1688

5. Net Weight [kg]:

264.00

6. Gross Width [mm]:

1558

7. Gross depth [mm]:

860

8. Gross Height [mm]:

1830

9. Gross Weight [kg]:

294.00

10. Device type:

Electric unit

11. Buffet type:

PLATINUM - dynamically cooled showcase

12. Device properties:

Chilled

13. Device color:

Hemlock

14. Power electric [kW]:

0.494

15. Loading:

230 V / 1N - 50 Hz

16. Number of GN / EN:

4

17. GN / EN size in device:

GN 1/1

18. GN device depth:

200

19. Minimum device temperature [°C]:

4

20. Maximum device temperature [°C]:

8

21. Opening of device:

Flip up