

Technical data sheet

Product features



Tilting bratt pan manual electric 50 l stainless steel bottom

Model	SAP Code	00000113
--------------	-----------------	----------



- Bottom material: Stainless steel - suitable for cooking, easy maintenance
- Bottom thickness: 12.00
- Basin volume [l]: 50
- Usable volume [l]: 50
- Tilting: Manual with auxiliary spring
- Filling: Mechanical cock
- Type of pan: Tilting
- Basin shape: Practically shaped bathtub spout to minimize spillage
- Protection of controls: IPX4
- Basin dimensions [mm x mm x mm]: 720 x 465 x 200
- Service accessibility: Trough the frontal panel

SAP Code	00000113	Loading	400 V / 3N - 50 Hz
Net Width [mm]	800	Bottom material	Stainless steel - suitable for cooking, easy maintenance
Net Depth [mm]	700	Basin volume [l]	50
Net Height [mm]	900	Usable volume [l]	50
Net Weight [kg]	125.00	Tilting	Manual with auxiliary spring
Power electric [kW]	10.500		

Technical data sheet

Technical drawing

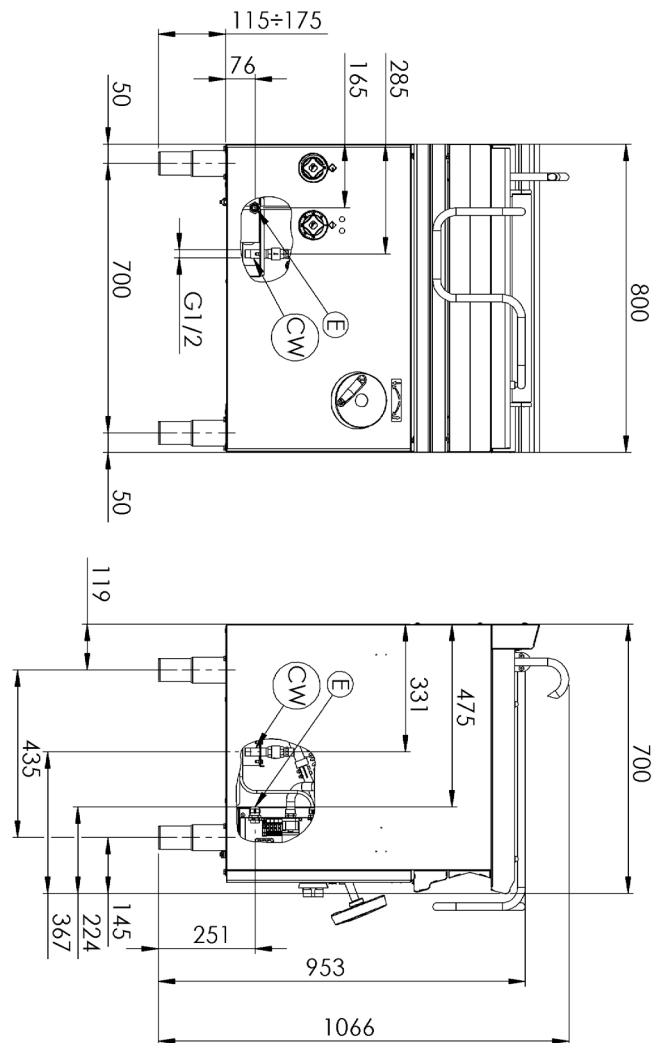


Tilting bratt pan manual electric 50 l stainless steel bottom

Model

SAP Code

00000113



Technical data sheet

Product benefits



Tilting bratt pan manual electric 50 l stainless steel bottom

Model

SAP Code

00000113

1

Manual folding system

maintenance-free system
equipped with a spring for convenient tilting
long life

- savings on service interventions
- easy cleaning and maintenance of equipment

2

Degree of protection of the control elements IPX4

maintenance-free system
resistance to splash water
long life

- savings on service interventions
- easy cleaning and maintenance of equipment

3

All-stainless design

the material does not cut
wear resistance of the material
long life

- savings on service interventions
- easy cleaning and maintenance of equipment

4

Efficient distribution of heating elements

perfect heat distribution including corners
fast heating

- saving time when cooking
- saving energy
- long service life

5

Stainless steel bottom

stainless steel hygienic AISI 304 bottom

- material suitable for all types of heat treatment, including frequent cooking
- minimal maintenance
- easy cleaning
- long service life

Technical data sheet

Technical parameters



Tilting bratt pan manual electric 50 l stainless steel bottom

Model

SAP Code

00000113

1. SAP Code:

00000113

2. Net Width [mm]:

800

3. Net Depth [mm]:

700

4. Net Height [mm]:

900

5. Net Weight [kg]:

125.00

6. Gross Width [mm]:

770

7. Gross depth [mm]:

840

8. Gross Height [mm]:

1200

9. Gross Weight [kg]:

133.00

10. Device type:

Electric unit

11. Power electric [kW]:

10.500

12. Loading:

400 V / 3N - 50 Hz

13. Protection of controls:

IPX4

14. Material:

AISI 304 top plate and cladding

15. Indicators:

operation and warm-up

16. Worktop type:

Molded - comfortable cleaning maintenance

17. Worktop material:

AISI 304

18. Worktop Thickness [mm]:

2.00

19. Surface finish:

sandblasted surface without coating

20. Device heating type:

Direct

21. Basin volume [l]:

50

22. Basin dimensions [mm x mm x mm]:

720 x 465 x 200

23. Maximum device temperature [°C]:

300

24. Minimum device temperature [°C]:

50

25. Service accessibility:

Trough the frontal panel

26. Safety element:

the safety switch prevents the heating from being switched on if the bathtub is not lowered to the basic position safety thermostat

Technical data sheet

Technical parameters



Tilting bratt pan manual electric 50 l stainless steel bottom

Model

SAP Code

00000113

27. Safety thermostat:

Yes

32. Type of pan:

Tilting

28. Adjustable feet:

Yes

33. Usable volume [l]:

50

29. Tilting:

Manual with auxiliary spring

34. Filling:

Mechanical cock

30. Bottom thickness:

12.00

35. Basin shape:

Practically shaped bathtub spout to minimize spillage

31. Bottom material:

Stainless steel - suitable for cooking, easy maintenance

36. Water filling type:

Cold