

Technical data sheet

Product features



Cooking range electric 4x plate on open cabinet 400 V

Model	SAP Code	00002958
--------------	-----------------	----------



- Device type: Electric unit
- Power consumption of the zone 1 [kW]: 3,5
- Power consumption of the zone 2 [kW]: 3,5
- Power consumption of the zone 3 [kW]: 3,5
- Power consumption of the zone 4 [kW]: 3,5
- Protection of controls: IPX5
- Material: AISI 304

SAP Code	00002958	Number of zones	4
Net Width [mm]	800	Power consumption of the zone 1 [kW]	3,5
Net Depth [mm]	900	Power consumption of the zone 2 [kW]	3,5
Net Height [mm]	900	Power consumption of the zone 3 [kW]	3,5
Net Weight [kg]	76.00	Power consumption of the zone 4 [kW]	3,5
Power electric [kW]	14.000	Diameter of device [mm]	300
Loading	400 V / 3N - 50 Hz		

Technical data sheet

Technical drawing

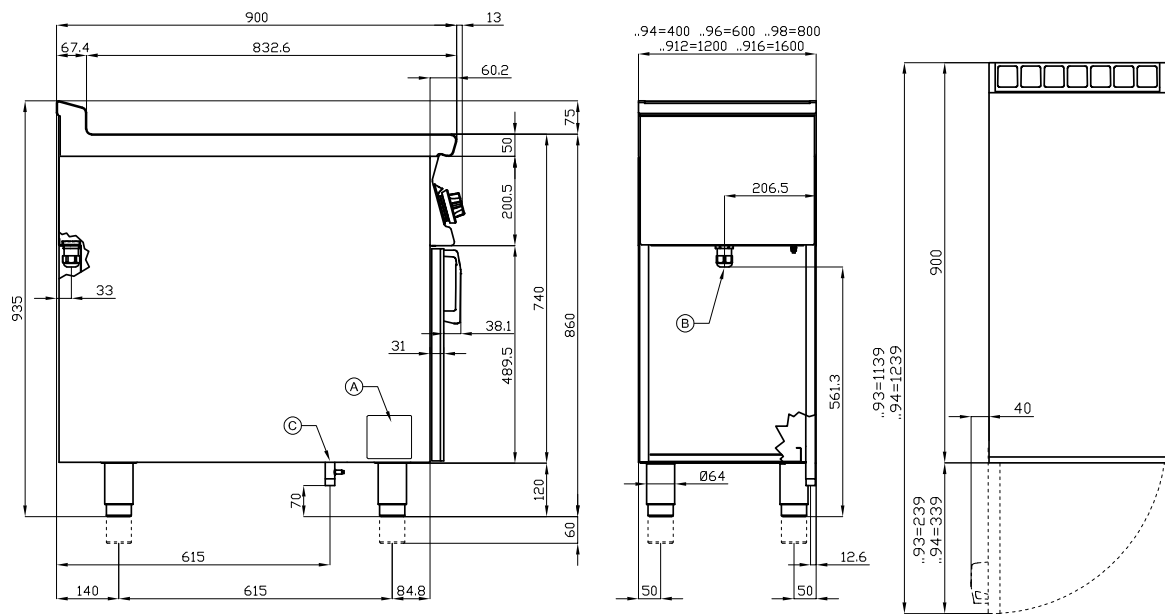


Cooking range electric 4x plate on open cabinet 400 V

Model

SAP Code

00002958



A Data plate		B Electrical connection	
--------------	--	-------------------------	--

Technical data sheet

Product benefits



Cooking range electric 4x plate on open cabinet 400 V

Model

SAP Code

00002958

1

Internal thermostatic plate protection

longer service life of the plates

- no overheating of the plates and no cracking

2

Degree of protection of the control elements IPX5

maintenance-free system

resistance to splash water

long life

- savings on service interventions
- easy cleaning and maintenance of equipment

3

All-stainless design

the material does not cut

wear resistance of the material

long life

- savings on service interventions
- easy cleaning and maintenance of equipment

4

Hygienic moldings of the top plate

absence of sharp corners and edges (potential places where dirt could stick)

smooth transitions

- easy quick cleaning

Technical data sheet

Technical parameters



Cooking range electric 4x plate on open cabinet 400 V

Model

SAP Code

00002958

1. SAP Code:

00002958

2. Net Width [mm]:

800

3. Net Depth [mm]:

900

4. Net Height [mm]:

900

5. Net Weight [kg]:

76.00

6. Gross Width [mm]:

830

7. Gross depth [mm]:

970

8. Gross Height [mm]:

1110

9. Gross Weight [kg]:

86.00

10. Device type:

Electric unit

11. Construction type of device:

With substructure

12. Power electric [kW]:

14.000

13. Loading:

400 V / 3N - 50 Hz

14. Protection of controls:

IPX5

15. Device color:

Stainless steel

16. Material:

AISI 304

17. Worktop type:

Molded - comfortable cleaning maintenance

18. Worktop material:

AISI 304

19. Worktop Thickness [mm]:

2.00

20. Number of zones:

4

21. Power consumption of the zone 1 [kW]:

3,5

22. Power consumption of the zone 2 [kW]:

3,5

23. Power consumption of the zone 3 [kW]:

3,5

24. Power consumption of the zone 4 [kW]:

3,5

25. Maximum device temperature [°C]:

300

26. Minimum device temperature [°C]:

50

27. Number of power control stages:

7

28. Service accessibility:

From the front by removing the front panel and waste fluid containers

Technical data sheet

Technical parameters



Cooking range electric 4x plate on open cabinet 400 V

Model

SAP Code

00002958

29. Safety thermostat:

Yes

32. Diameter of device [mm]:

300

30. Adjustable feet:

Yes

33. Burner type:

Cast iron, detachable, with internal and external combustion

31. Number of burners/hot plates:

4

34. Type of electric cooking zones:

Oval