

# Technical data sheet

Product features



## Bain marie gas 80

Model

SAP Code

00013629



- Water inlet: mechanical tap
- Drain: Yes
- Material: AISI 304
- Protection of controls: IPX5
- Ignition: Piezo+veÄřnÄř plamen

SAP Code	00013629	Power gas [kW]	6.500
Net Width [mm]	800	Type of gas	Propane butane, natural gas
Net Depth [mm]	900	Number of GN / EN	3
Net Height [mm]	280	GN device depth	150
Net Weight [kg]	51.00		

# Technical data sheet

Technical drawing

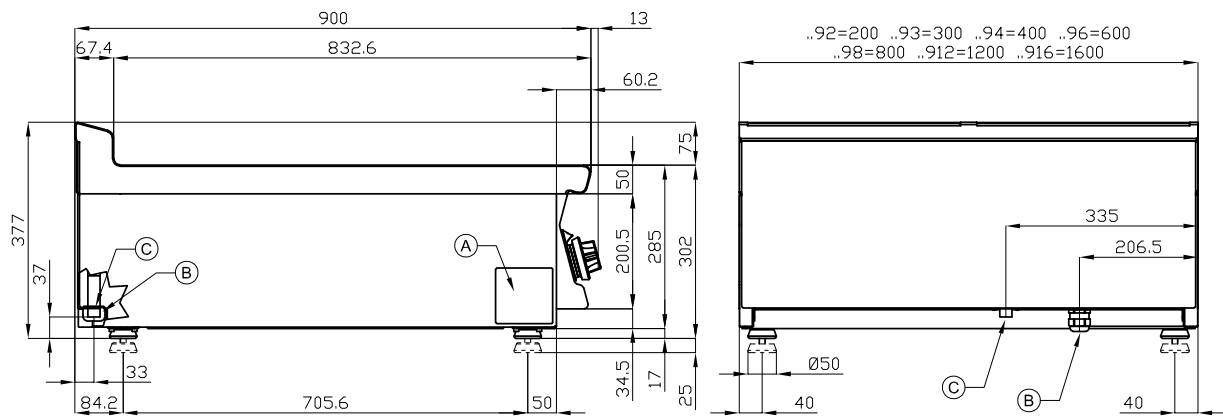


## Bain marie gas 80

Model

SAP Code

00013629



A	Data plate	C	Gas connection	ISO 7-1 1/2" M
---	------------	---	----------------	----------------

# Technical data sheet

Technical parameters



## Bain marie gas 80

Model

SAP Code

00013629

**1. SAP Code:**

00013629

**2. Net Width [mm]:**

800

**3. Net Depth [mm]:**

900

**4. Net Height [mm]:**

280

**5. Net Weight [kg]:**

51.00

**6. Gross Width [mm]:**

830

**7. Gross depth [mm]:**

970

**8. Gross Height [mm]:**

540

**9. Gross Weight [kg]:**

61.00

**10. Device type:**

Gas unit

**11. Construction type of device:**

Table top

**12. Power gas [kW]:**

6.500

**13. Ignition:**

Piezo+veřn plamen

**14. Type of gas:**

Propane butane, natural gas

**15. Protection of controls:**

IPX5

**16. Device color:**

Stainless steel

**17. Material:**

AISI 304

**18. Worktop type:**

Molded - comfortable cleaning maintenance

**19. Safety thermocouple:**

Yes

**20. Adjustable feet:**

Yes

**21. Heating element material:**

AISI 304

**22. Water inlet:**

mechanical tap

**23. Drain:**

Yes

**24. Number of GN / EN:**

3

**25. GN device depth:**

150