

Technical data sheet

Product features



Cooking range gas 4 zones

Model	SAP Code	00013617
--------------	-----------------	----------



- Device type: Gas unit
- Power consumption of the zone 1 [kW]: 10
- Power consumption of the zone 2 [kW]: 7
- Power consumption of the zone 3 [kW]: 7
- Power consumption of the zone 4 [kW]: 4
- Ignition: Eternal flame
- Material: AISI 304

SAP Code	00013617	Number of zones	4
Net Width [mm]	800	Power consumption of the zone 1 [kW]	10
Net Depth [mm]	900	Power consumption of the zone 2 [kW]	7
Net Height [mm]	280	Power consumption of the zone 3 [kW]	7
Net Weight [kg]	70.00	Power consumption of the zone 4 [kW]	4
Power gas [kW]	28.000	Diameter of device [mm]	300
Type of gas	Propane butane, natural gas		

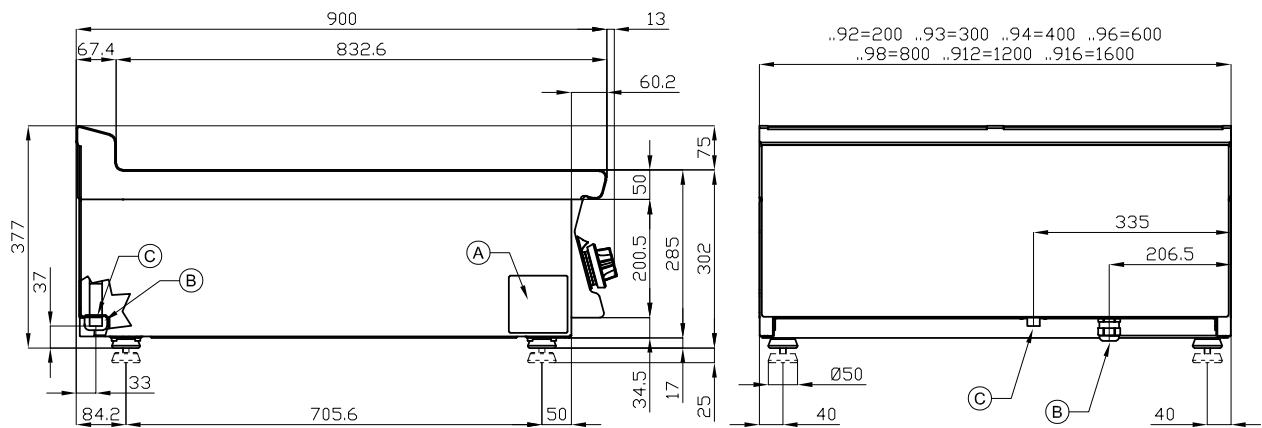
Technical data sheet

Technical drawing



Cooking range gas 4 zones

Model	SAP Code	00013617
--------------	-----------------	----------



A	Data plate		C	Gas connection	ISO 7-1 1/2" M
---	------------	--	---	----------------	----------------

Technical data sheet

Technical parameters



Cooking range gas 4 zones

Model

SAP Code

00013617

1. SAP Code:

00013617

2. Net Width [mm]:

800

3. Net Depth [mm]:

900

4. Net Height [mm]:

280

5. Net Weight [kg]:

70.00

6. Gross Width [mm]:

830

7. Gross depth [mm]:

970

8. Gross Height [mm]:

540

9. Gross Weight [kg]:

80.00

10. Device type:

Gas unit

11. Construction type of device:

Table top

12. Power gas [kW]:

28.000

13. Ignition:

Eternal flame

14. Type of gas:

Propane butane, natural gas

15. Device color:

Stainless steel

16. Material:

AISI 304

17. Worktop type:

Molded - comfortable cleaning maintenance

18. Worktop material:

AISI 304

19. Number of zones:

4

20. Power consumption of the zone 1 [kW]:

10

21. Power consumption of the zone 2 [kW]:

7

22. Power consumption of the zone 3 [kW]:

7

23. Power consumption of the zone 4 [kW]:

4

24. Service accessibility:

From the front by removing the front panel and waste fluid containers

25. Safety thermocouple:

Yes

26. Adjustable feet:

Yes

27. Number of burners/hot plates:

4

28. Diameter of device [mm]:

300

Technical data sheet

Technical parameters



Cooking range gas 4 zones

Model	SAP Code	00013617
--------------	-----------------	----------

29. Type of gas cooking zones:

Classic

30. Burner type:

Brass, detachable