

# Technical data sheet

## Product features



### Electric range with cabinet

<b>Model</b>	<b>SAP Code</b>	00008531
--------------	-----------------	----------



- Device type: Electric unit
- Power consumption of the zone 1 [kW]: 2,5
- Power consumption of the zone 2 [kW]: 2,5
- Power consumption of the zone 3 [kW]: 2,5
- Power consumption of the zone 4 [kW]: 2,5
- Protection of controls: IP24
- Material: AISI 304 top plate and cladding

<b>SAP Code</b>	00008531	<b>Number of zones</b>	4
<b>Net Width [mm]</b>	800	<b>Power consumption of the zone 1 [kW]</b>	2,5
<b>Net Depth [mm]</b>	730	<b>Power consumption of the zone 2 [kW]</b>	2,5
<b>Net Height [mm]</b>	900	<b>Power consumption of the zone 3 [kW]</b>	2,5
<b>Net Weight [kg]</b>	100.00	<b>Power consumption of the zone 4 [kW]</b>	2,5
<b>Power electric [kW]</b>	10.000	<b>Solid top dimensions [mm x mm]</b>	300 x 300
<b>Loading</b>	400 V / 3N - 50 Hz		

# Technical data sheet

Technical drawing

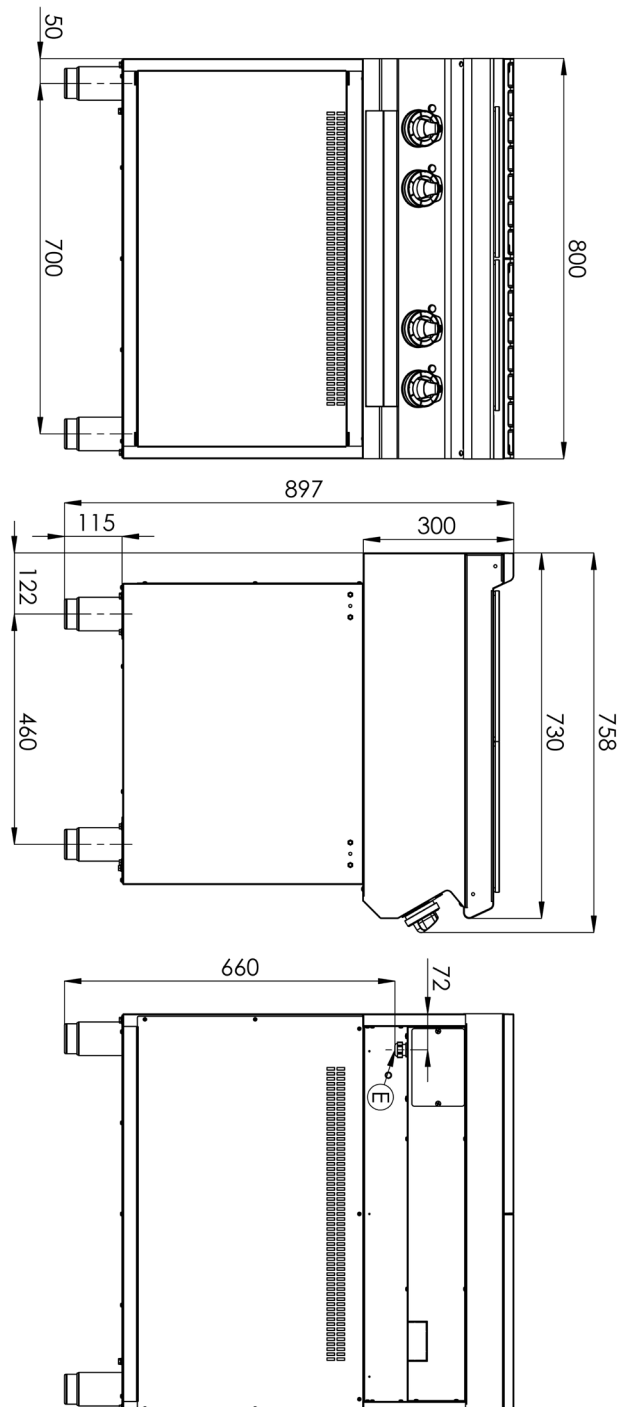


## Electric range with cabinet

Model

SAP Code

00008531



# Technical data sheet

Technical parameters



## Electric range with cabinet

**Model**

**SAP Code**

00008531

**1. SAP Code:**

00008531

**2. Net Width [mm]:**

800

**3. Net Depth [mm]:**

730

**4. Net Height [mm]:**

900

**5. Net Weight [kg]:**

100.00

**6. Gross Width [mm]:**

840

**7. Gross depth [mm]:**

800

**8. Gross Height [mm]:**

1080

**9. Gross Weight [kg]:**

110.00

**10. Device type:**

Electric unit

**11. Construction type of device:**

With substructure

**12. Power electric [kW]:**

10.000

**13. Loading:**

400 V / 3N - 50 Hz

**14. Protection of controls:**

IP24

**15. Device color:**

Stainless steel

**16. Material:**

AISI 304 top plate and cladding

**17. Indicators:**

operation

**18. Worktop type:**

Molded - comfortable cleaning maintenance

**19. Worktop material:**

AISI 304

**20. Worktop Thickness [mm]:**

1.50

**21. Number of zones:**

4

**22. Power consumption of the zone 1 [kW]:**

2,5

**23. Power consumption of the zone 2 [kW]:**

2,5

**24. Power consumption of the zone 3 [kW]:**

2,5

**25. Power consumption of the zone 4 [kW]:**

2,5

**26. Maximum device temperature [°C]:**

400

**27. Minimum device temperature [°C]:**

50

**28. Service accessibility:**

Trough the frontal panel

# Technical data sheet

Technical parameters



## Electric range with cabinet

Model	SAP Code	
		00008531

### 29. Adjustable feet:

Yes

### 31. Type of electric cooking zones:

Squared

### 30. Number of burners/hot plates:

4

### 32. Solid top dimensions [mm x mm]:

300 x 300