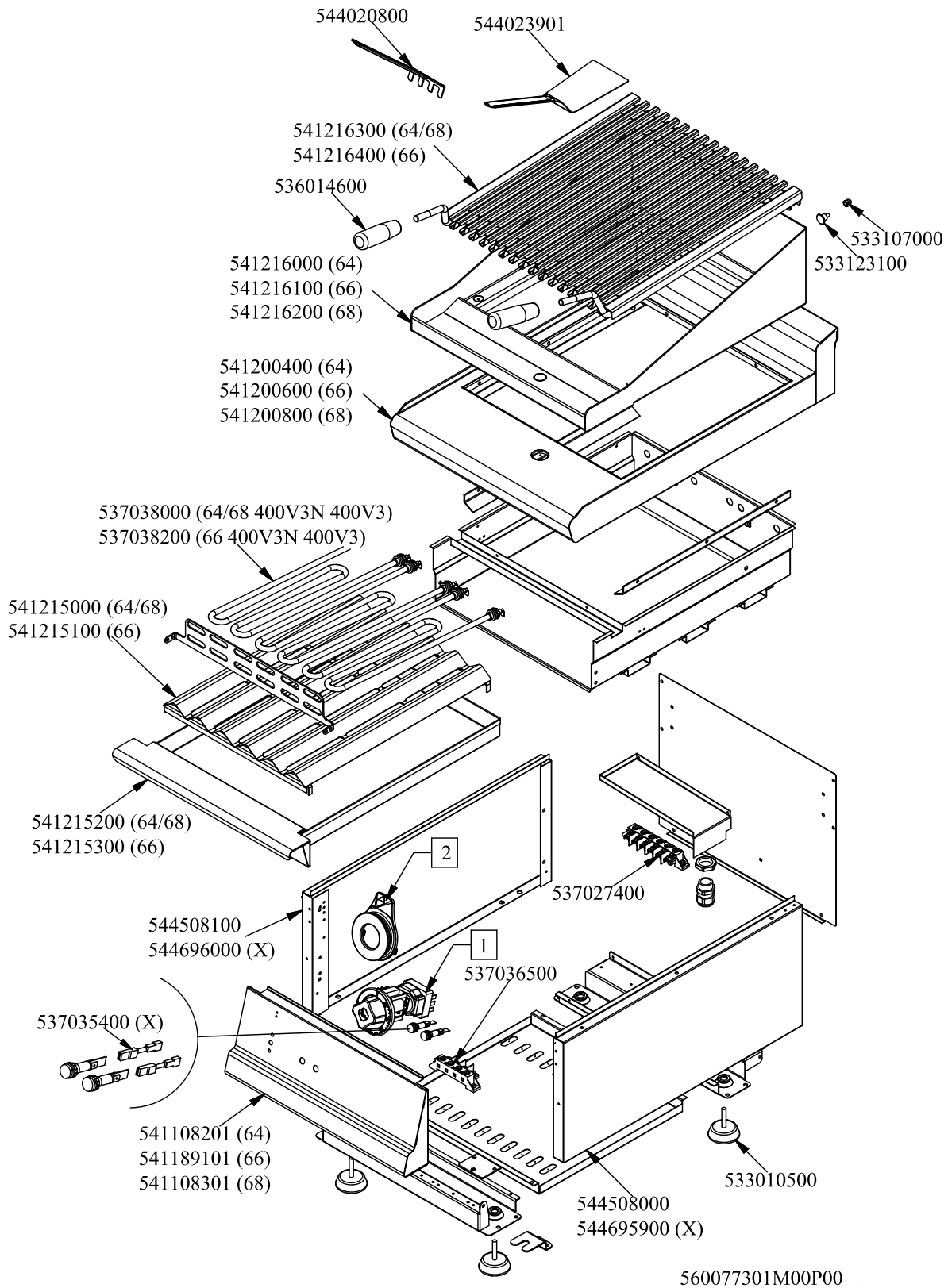


RM 600

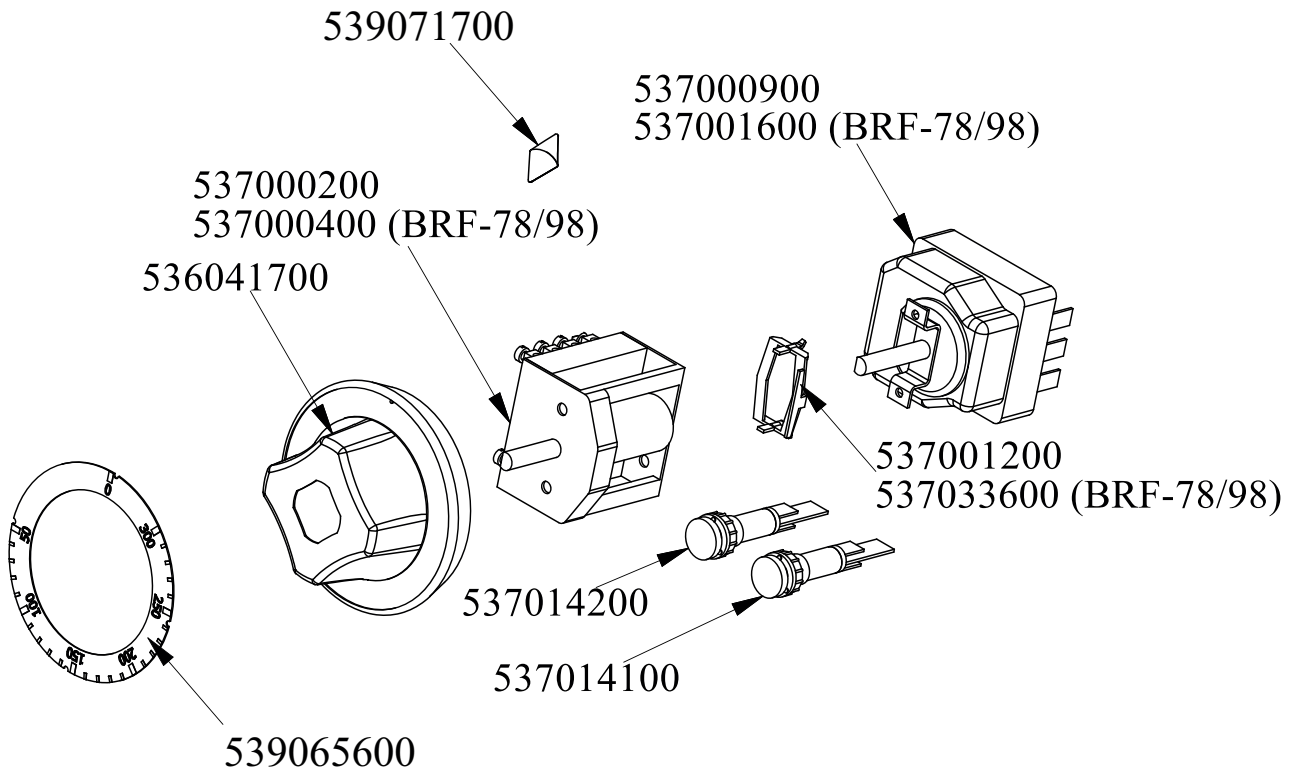
Platný od 1.5. 2019

CWT-66ET





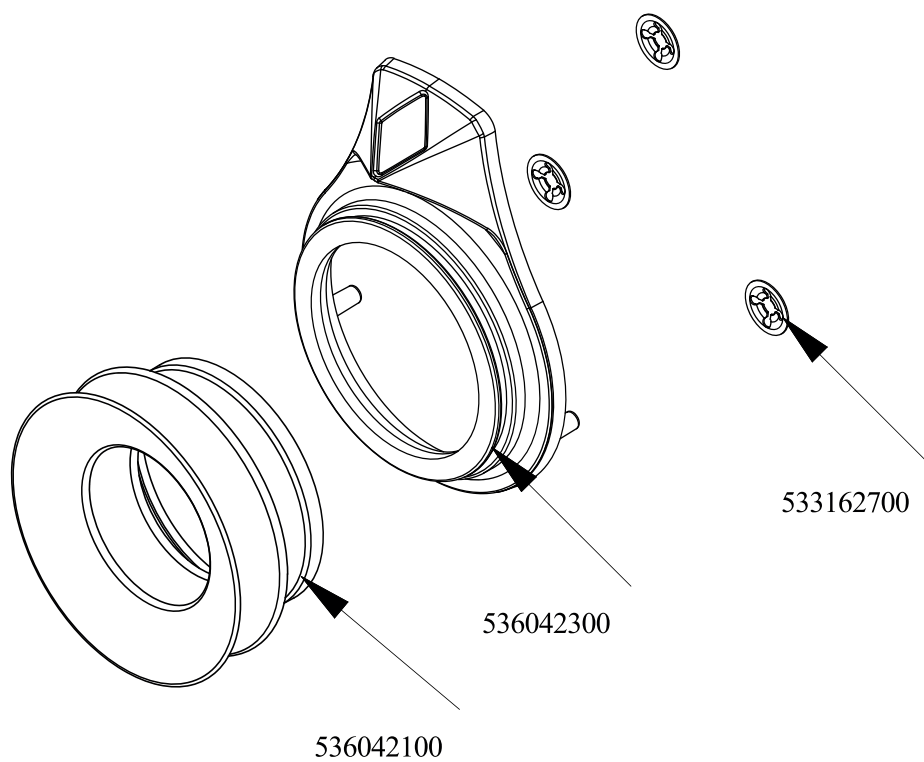
Objednací kód	Popis v ENG
533010500	LEG M10*25 D.40
544508000	RHD SIDE OF 60T APPLIANCES
541216300	GRID CWT-64
536014600	GRIP D.28*90*M10 CW
541216000	SPLASH GUARD CWT-64
541200400	UPPER PLATE CWT-64E
537038000	ELEMENT CW-64E 1600W 230V
541215000	REFLECTING BOARD CW-64E
541215200	DRIP TRAY CW-64E
541108201	
537027400	TERMINAL BLOCK THREEPHASE 40A
537036500	TERMINAL BLOCK 4POLES 40A SCREW-SCR
544508100	LHD SIDE OF 60T APPLIANCES
544023901	SPATTLE FOR FRY-TOP
544020800	SPATTLE FOR CW S70 S90
533123100	PROCESSING CODE
533107000	PROCESSING CODE
-	-
-	-



560100401M00P00



Objednací kód	Popis v ENG
537001600	THERMOSTAT 50-320°C SINGLEPHASE
536041700	SILVER CHROM. KNOB Ø77 4P.G.Ø06X4,6
537000400	COMMUTATOR 1 POS. SINGLEPHASE S49 16A
537001200	FIXING BRACKET FOR THERMOSTAT/COMM.
537014200	GREEN WARNING LIGHT 250V
537014100	WHITE WARNING LIGHT 250V
537000900	THERMOSTAT 063-320°C THREephase
537033600	FIXING BRACKET FOR THERMOSTAT/COMM.
537000200	COMMUTATOR 1 POS. 3PHASE S.49 16A
539065600	BLACK STICKING DISK 72 (050,300°)
539071700	ADHES.LABEL FOR RING GREEN SIGN.



560125700M00P00



Objednačí kód	Popis v ENG
536042300	SILVER CHROM. RING FOR KNOB Ø77 4 P
536042100	SEAL CASING FOR KNOB Ø77 4 P
533162700	PROCESSING CODE



CWT - 64 ET, CWT - 66 ET, CWT - 68 ET

Platný od 1.5.2016

do 30.4.2019

