

Technical data sheet

Product features



Fry-top griddle plate grooved

Model	SAP Code	00013635
--------------	-----------------	----------



- Top type: Smooth
- Griddle dimensions [mm x mm]: 360 x 680
- Griddle thickness [mm]: 15.00
- Worktop material: Stainless steel
- Container for liquid fat: Yes
- Ignition: Piezo+veÄŤnÄŤ plamen

SAP Code	00013635	Power gas [kW]	9.000
Net Width [mm]	400	Type of gas	Propane butane, natural gas
Net Depth [mm]	900	Griddle dimensions [mm x mm]	360 x 680
Net Height [mm]	280	Top type	Smooth
Net Weight [kg]	61.00	Worktop type	Molded - comfortable cleaning maintenance

Technical data sheet

Technical drawing

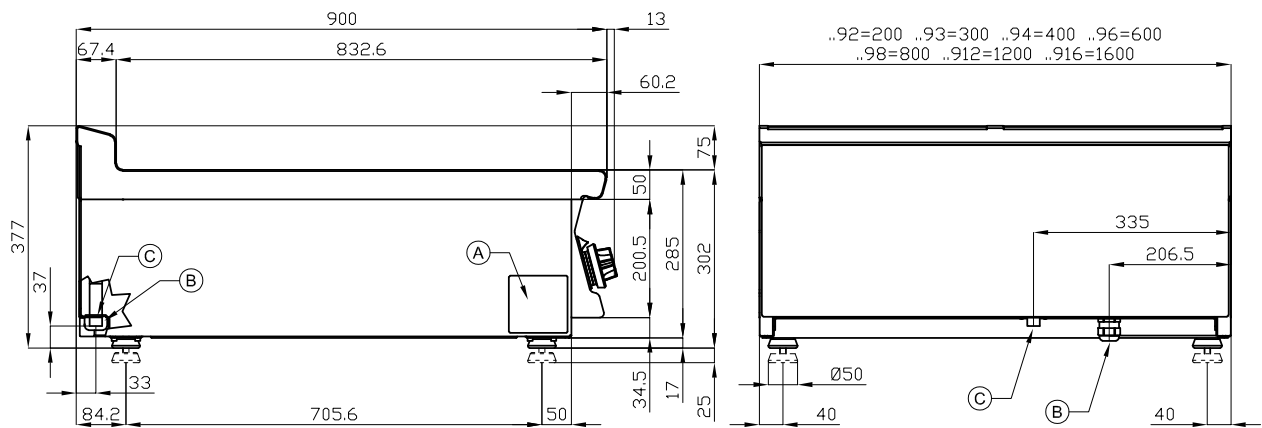


Fry-top griddle plate grooved

Model

SAP Code

00013635



A	Data plate	C	Gas connection	ISO 7-1 1/2" M
---	------------	---	----------------	----------------

Technical data sheet

Technical parameters



Fry-top griddle plate grooved

Model

SAP Code

00013635

1. SAP Code:

00013635

2. Net Width [mm]:

400

3. Net Depth [mm]:

900

4. Net Height [mm]:

280

5. Net Weight [kg]:

61.00

6. Gross Width [mm]:

430

7. Gross depth [mm]:

970

8. Gross Height [mm]:

540

9. Gross Weight [kg]:

71.00

10. Device type:

Gas unit

11. Construction type of device:

Table top

12. Power gas [kW]:

9.000

13. Ignition:

Piezo+veřnř plamen

14. Type of gas:

Propane butane, natural gas

15. Protection of controls:

IPX5

16. Device color:

Stainless steel

17. Material:

AISI 304

18. Indicators:

operation and warm-up

19. Worktop type:

Molded - comfortable cleaning maintenance

20. Worktop material:

Stainless steel

21. Safety thermostat:

Yes

22. Adjustable feet:

Yes

23. Griddle dimensions [mm x mm]:

360 x 680

24. Griddle thickness [mm]:

15.00

25. Container for liquid fat:

Yes

26. Top type:

Smooth