

Technical data sheet

Product features



Solid Top gas cooker with cabinet

Model	SAP Code	00008663
--------------	-----------------	----------



- Device type: Gas unit
- Ignition: Piezo + Eternal Flame
- Material: AISI 304 top plate and cladding

SAP Code	00008663	Net Weight [kg]	98.50
Net Width [mm]	800	Power gas [kW]	19.100
Net Depth [mm]	730	Type of gas	Natural gas, propane butane
Net Height [mm]	900	Solid top dimensions [mm x mm]	370 x 545

Technical data sheet

Technical drawing

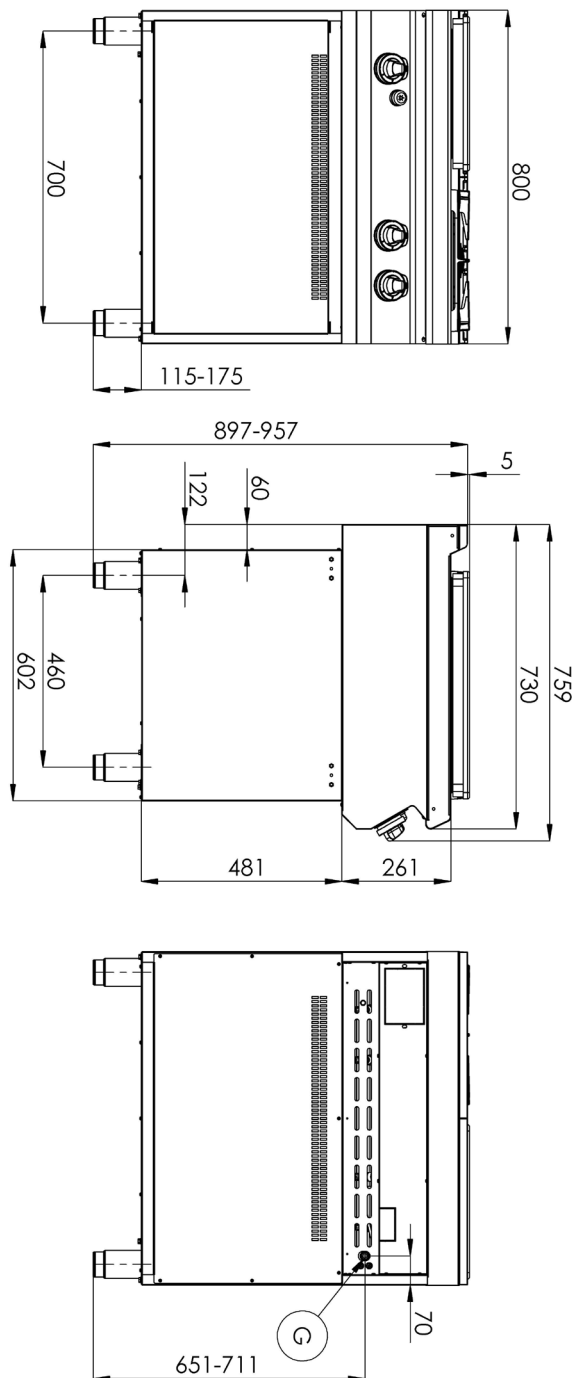


Solid Top gas cooker with cabinet

Model

SAP Code

00008663



Technical data sheet

Technical parameters



Solid Top gas cooker with cabinet

Model	SAP Code	00008663
--------------	-----------------	----------

1. SAP Code:

00008663

2. Net Width [mm]:

800

3. Net Depth [mm]:

730

4. Net Height [mm]:

900

5. Net Weight [kg]:

98.50

6. Gross Width [mm]:

840

7. Gross depth [mm]:

800

8. Gross Height [mm]:

1080

9. Gross Weight [kg]:

108.50

10. Device type:

Gas unit

11. Construction type of device:

With substructure

12. Power gas [kW]:

19.100

13. Ignition:

Piezo + Eternal Flame

14. Type of gas:

Natural gas, propane butane

15. Device color:

Stainless steel

16. Material:

AISI 304 top plate and cladding

17. Worktop type:

Molded - comfortable cleaning maintenance

18. Worktop material:

AISI 304

19. Worktop Thickness [mm]:

1.50

20. Grid material:

Cast iron

21. Service accessibility:

Trough the frontal panel

22. Safety thermocouple:

Yes

23. Adjustable feet:

Yes

24. Number of burners/hot plates:

3

25. Type of gas cooking zones:

Fire protection to install + Classic burners

26. Burner type:

Brass, detachable

27. Timer:

No

28. Solid top thickness [mm]:

30

Technical data sheet

Technical parameters



Solid Top gas cooker with cabinet

Model	SAP Code	00008663
--------------	-----------------	----------

29. Solid top dimensions [mm x mm]:

370 x 545

30. Solid top ignition:

Piezo + Eternal Flame