

Technical data sheet

Product features



Display unit chilled GN 4-1/1 - 30 mm drop-in

Model	SAP Code	00012067
--------------	-----------------	----------



- Buffet type: LIME - chilled, static cooling, shallow
- Device properties: Chilled
- Number of GN / EN: 4
- GN / EN size in device: GN 1/1
- GN device depth: 30
- Minimum device temperature [°C]: 4
- Maximum device temperature [°C]: 8

SAP Code	00012067	Loading	230 V / 1N - 50 Hz
Net Width [mm]	1494	Number of GN / EN	4
Net Depth [mm]	650	GN / EN size in device	GN 1/1
Net Height [mm]	100	GN device depth	30
Net Weight [kg]	49.00	Minimum device temperature [°C]	4
Power electric [kW]	0.247	Maximum device temperature [°C]	8

Technical data sheet

Technical drawing



Display unit chilled GN 4-1/1 - 30 mm drop-in

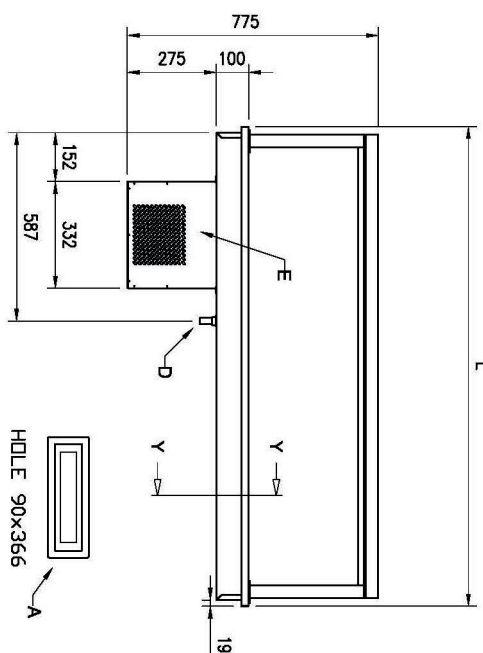
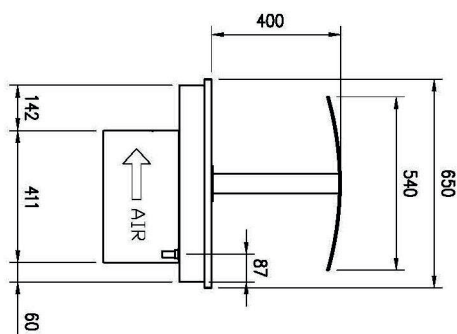
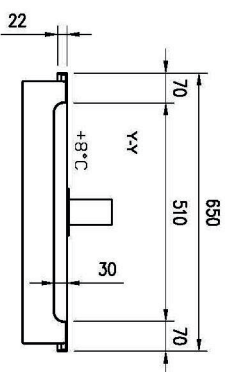
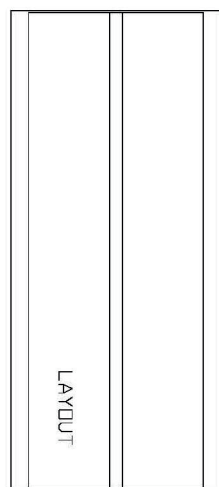
Model

SAP Code

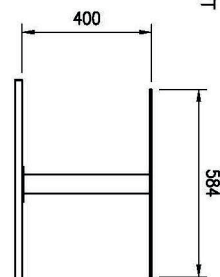
00012067

A= ELECTRICAL CONNECTION
 D= WATER DISCHARGE Ø16
 E= GAS CONNECTION Ø6 Ø8
 F= WATER BOX

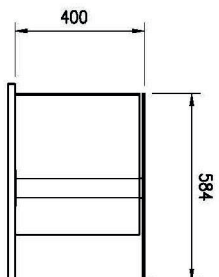
GN	L	HOLE
2/1	844	814x620
3/1	1169	1139x620
4/1	1494	1464x620
5/1	1819	1789x620
6/1	2144	2114x620



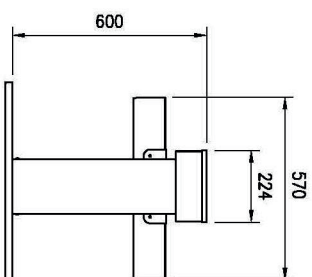
FLAT



SERVICE



TRADITION



Technical data sheet

Product benefits



Display unit chilled GN 4-1/1 - 30 mm drop-in

Model

SAP Code

00012067

1

Built-in

the possibility to plant in a dispensing block design

- unified design of the dispensing line
- a luxurious look that customers appreciate

2

Static cooling

simultaneous use of direct injection and boiler, maintenance of 100% humidity, or its regulation

- less drying of food
- more economical

3

Depth 30mm

the possibility of placing plates and trays

- variability of use

4

Rounded corners

basins without sharp edges and corners

- higher hygienic safety
- time saving due to easy cleaning

5

Removable evaporator filter

basins without sharp edges and corners

- time saving for cleaning

6

All-stainless steel construction

harmless to health for contact with food
robustness

- long service life
- very easy to clean

Technical data sheet

Technical parameters



Display unit chilled GN 4-1/1 - 30 mm drop-in

Model

SAP Code

00012067

1. SAP Code:

00012067

2. Net Width [mm]:

1494

3. Net Depth [mm]:

650

4. Net Height [mm]:

100

5. Net Weight [kg]:

49.00

6. Gross Width [mm]:

1558

7. Gross depth [mm]:

714

8. Gross Height [mm]:

1100

9. Gross Weight [kg]:

60.30

10. Device type:

Electric unit

11. Material:

AISI 304

12. Buffet type:

LIME - chilled, static cooling, shallow

13. Device properties:

Chilled

14. Device color:

Stainless steel

15. Power electric [kW]:

0.247

16. Loading:

230 V / 1N - 50 Hz

17. Number of GN / EN:

4

18. GN / EN size in device:

GN 1/1

19. GN device depth:

30

20. Minimum device temperature [°C]:

4

21. Maximum device temperature [°C]:

8