

Technical data sheet

Product features



Lava stone grill gas 2x 38x43 without cabinet

Model	SAP Code	00000415
--------------	-----------------	----------



- Worktop material: AISI 304
- Grid size [mm x mm]: 2 x 380 x 430
- Container for liquid fat: Yes
- Independent heating zones: Separate control for each heating zone
- Removable rim: Yes
- Removable grid: Yes
- Ignition: Piezo+veÄřnÄř plamen

SAP Code	00000415	Net Weight [kg]	58.00
Net Width [mm]	800	Power gas [kW]	11.600
Net Depth [mm]	600	Type of gas	Natural gas, propane butane
Net Height [mm]	280	Grid size [mm x mm]	2 x 380 x 430

Technical data sheet

Technical drawing

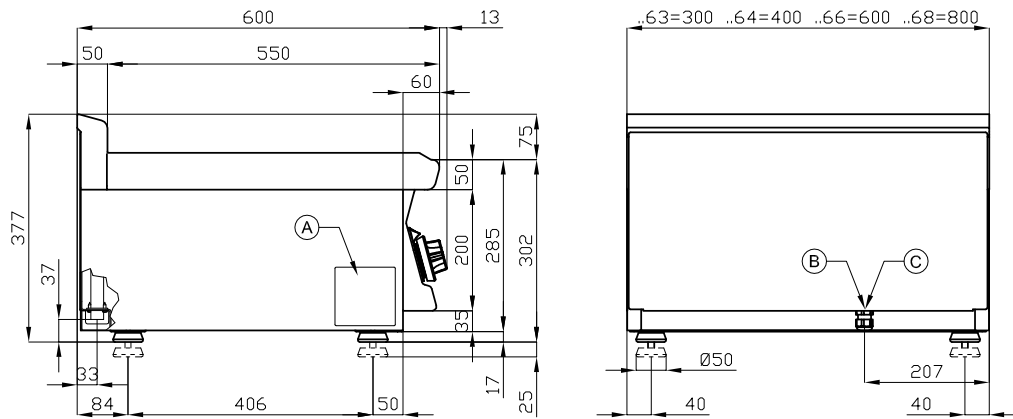


Lava stone grill gas 2x 38x43 without cabinet

Model

SAP Code

00000415



A	Data plate		C	Gas connection	ISO 7-1 1/2" M
---	------------	--	---	----------------	----------------

Technical data sheet

Technical parameters



Lava stone grill gas 2x 38x43 without cabinet

Model

SAP Code

00000415

1. SAP Code:

00000415

2. Net Width [mm]:

800

3. Net Depth [mm]:

600

4. Net Height [mm]:

280

5. Net Weight [kg]:

58.00

6. Gross Width [mm]:

830

7. Gross depth [mm]:

690

8. Gross Height [mm]:

610

9. Gross Weight [kg]:

62.00

10. Device type:

Gas unit

11. Construction type of device:

Table top

12. Power gas [kW]:

11.600

13. Ignition:

Piezo+veÄŤnÄŤ plamen

14. Type of gas:

Natural gas, propane butane

15. Protection of controls:

IPX5

16. Device color:

Stainless steel

17. Material:

AISI 304 top plate and cladding

18. Worktop material:

AISI 304

19. Worktop Thickness [mm]:

1.00

20. Standard equipment for device:

meat grate, lava stones 2x 5 kg

21. Power control type:

regulator min. - max.

22. Number of power control stages:

6

23. Service accessibility:

Trough the frontal panel

24. Safety element:

thermocouple

25. Safety thermocouple:

Yes

26. Adjustable feet:

Yes

27. Container for liquid fat:

Yes

28. Removable device container:

Yes

Technical data sheet

Technical parameters



Lava stone grill gas 2x 38x43 without cabinet

Model

SAP Code

00000415

29. Independent heating zones:

Separate control for each heating zone

33. Uniform heating:

Yes

30. Removable rim:

Yes

34. Removable burner:

Yes

31. Removable grid:

Yes

35. Power consumption of the zone 1 [kW]:

5,8

32. Grid size [mm x mm]:

2 x 380 x 430

36. Power consumption of the zone 2 [kW]:

5,8