

# Technical data sheet

## Product features



### Fry-top griddle plate 79x52 electric grooved on open cabinet 400 V

<b>Model</b>	<b>SAP Code</b>	00001115
--------------	-----------------	----------



- Top type: Grooved
- Griddle dimensions [mm x mm]: 760 x 510
- Griddle thickness [mm]: 14.00
- Worktop material: Stainless steel
- Container for liquid fat: Yes
- Independent heating zones: Separate control for each heating zone
- Maximum device temperature [°C]: 300
- Removable rim: Yes

<b>SAP Code</b>	00001115	<b>Power electric [kW]</b>	11.100
<b>Net Width [mm]</b>	800	<b>Loading</b>	400 V / 3N - 50 Hz
<b>Net Depth [mm]</b>	705	<b>Griddle dimensions [mm x mm]</b>	760 x 510
<b>Net Height [mm]</b>	900	<b>Top type</b>	Grooved
<b>Net Weight [kg]</b>	97.00	<b>Worktop type</b>	Molded - comfortable cleaning maintenance

# Technical data sheet

Technical drawing

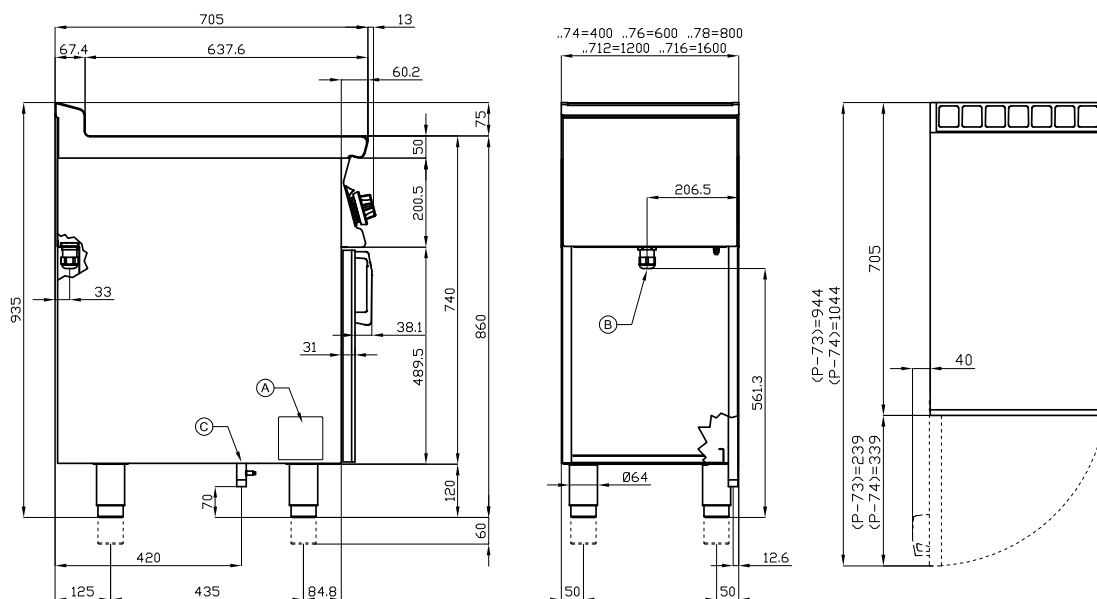


## Fry-top griddle plate 79x52 electric grooved on open cabinet 400 V

Model

SAP Code

00001115



A	Data plate	B	Electrical connection
---	------------	---	-----------------------

# Technical data sheet

## Product benefits



### Fry-top griddle plate 79x52 electric grooved on open cabinet 400 V

Model	SAP Code	00001115
-------	----------	----------

1

#### All-stainless design

long life  
resistance of AISI 304 stainless steel material  
the material does not cut

- savings on service interventions
- easier and faster operation

2

#### Degree of protection of the control elements IPX5

maintenance-free system  
resistance to splash water  
long life

- savings on service interventions
- easy cleaning and maintenance of equipment

3

#### Outlet for waste liquids

ensures that oil drips into the socket

- easy maintenance
- easy cleaning

4

#### High detachable hem

better hygienic conditions  
preventing grease from splashing onto  
ancillary equipment

- easy maintenance
- easy cleaning

5

#### Ribbed steel plate

fast heat transfer and the surface will not be scratched  
a good warming of the meat with a groove

- time-saving in food preparation
- easy preparation of good-looking food

# Technical data sheet

Technical parameters



## Fry-top griddle plate 79x52 electric grooved on open cabinet 400 V

**Model**

**SAP Code**

00001115

**1. SAP Code:**

00001115

**2. Net Width [mm]:**

800

**3. Net Depth [mm]:**

705

**4. Net Height [mm]:**

900

**5. Net Weight [kg]:**

97.00

**6. Gross Width [mm]:**

830

**7. Gross depth [mm]:**

770

**8. Gross Height [mm]:**

1110

**9. Gross Weight [kg]:**

110.00

**10. Device type:**

Electric unit

**11. Construction type of device:**

Stationary

**12. Power electric [kW]:**

11.100

**13. Loading:**

400 V / 3N - 50 Hz

**14. Protection of controls:**

IPX5

**15. Device color:**

Stainless steel

**16. Material:**

Stainless steel

**17. Indicators:**

operation and warm-up

**18. Worktop type:**

Molded - comfortable cleaning maintenance

**19. Worktop material:**

Stainless steel

**20. Worktop Thickness [mm]:**

2.00

**21. Standard equipment for device:**

comes with a stainless steel scraper for cleaning pastries

**22. Maximum device temperature [°C]:**

300

**23. Minimum device temperature [°C]:**

50

**24. Power control type:**

knob control

**25. Service accessibility:**

Trough the frontal panel

**26. Safety element:**

safety thermostat

**27. Safety thermostat:**

Yes

**28. Adjustable feet:**

Yes

# Technical data sheet

Technical parameters



## Fry-top griddle plate 79x52 electric grooved on open cabinet 400 V

Model

SAP Code

00001115

### 29. Additional information:

door not included - can be purchased

### 30. Griddle dimensions [mm x mm]:

760 x 510

### 31. Griddle thickness [mm]:

14.00

### 32. Container for liquid fat:

Yes

### 33. Independent heating zones:

Separate control for each heating zone

### 34. Removable rim:

Yes

### 35. Uniform heating:

Yes

### 36. Top type:

Grooved