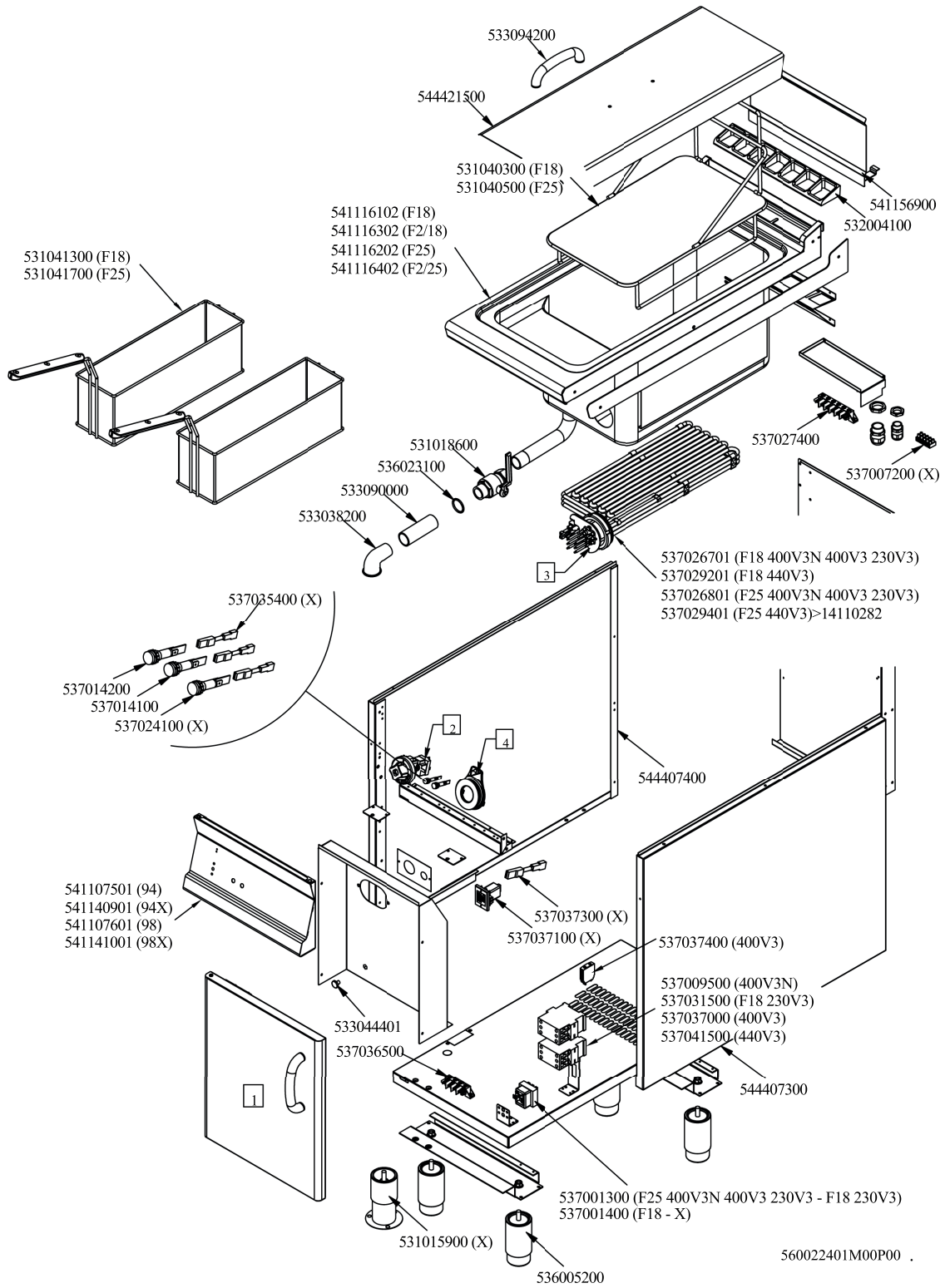


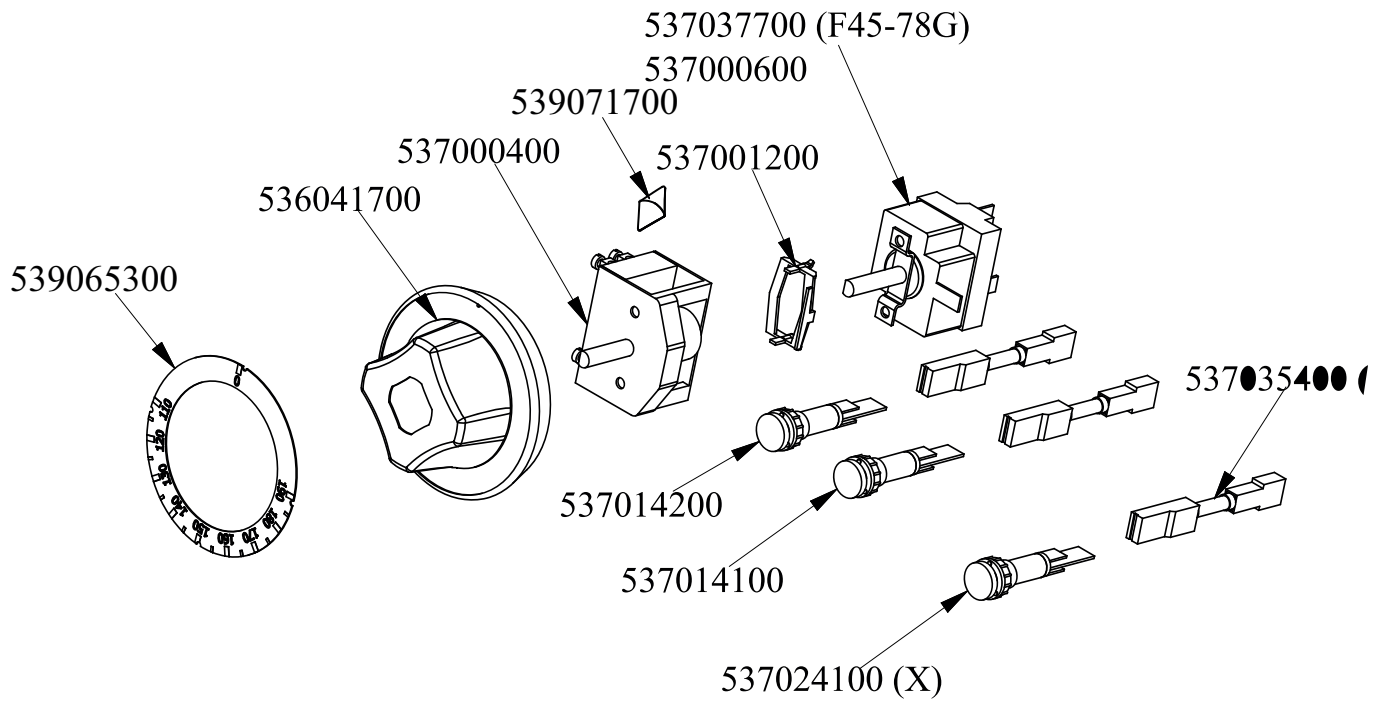


RM 900
 Platný od 1.5. 2019
 F18-94ET





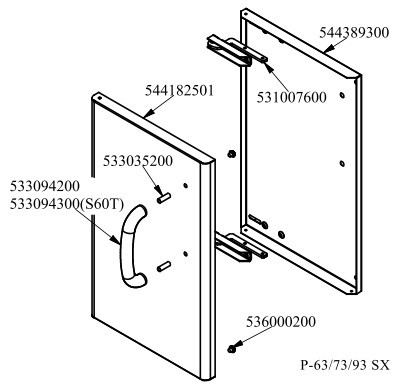
Objednací kód	Popis v ENG
533094200	S/S HANDLE FOR 70/90 SERIES
531040300	TANK FILTER/BASKET SUPPORT F18+94E
531041300	BASKET FOR F18-74/94E 280X290X150
531018600	BALL VALVE 1"G M-F CPM-62G
536023100	O-RING GASKET 31,34X3,53 VITON
533090000	
544407400	LEFT SIDE PANEL 70 LINE
537027400	TERMINAL BLOCK THREEPHASE 40A
532004100	FLUE GRID L=370 90LINE (RAF)
544421500	LID FOR FRYER 90 LINE
537036500	TERMINAL BLOCK 4POLES 40A SCREW-SCR
533044401	M8 THREADED CAP FOR SEC.THERMOSTAT
536005200	INOX LEG 2" 120-180 M10
544407300	RIGHT SIDE PANEL 90 LINE
541107501	FRONTAL PANEL S607090 F 13 -74E
537001400	SAFETY THERMOSTAT 245°C THREEPHASE
537009500	REMOTE CONTR.SWITCH35A 690V B.230V
537031500	REMOTE CONTROL SWITCH 3RT102 35A 23
537014200	GREEN WARNING LIGHT 250V
537014100	WHITE WARNING LIGHT 250V
533038200	1" G M-F ELBOW FITTING
541116102	
541156900	DISCHARGE PROTECTION S70
537026701	HEATING ELEMENT F18 15900W 3-230V
-	-
-	-
-	-
-	-



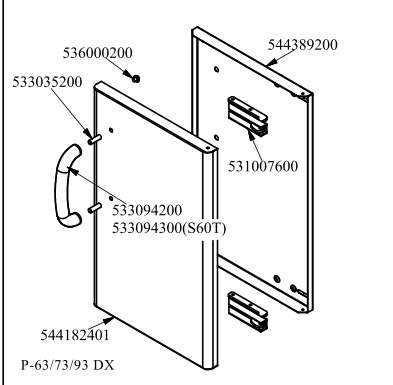
560100201M00P00



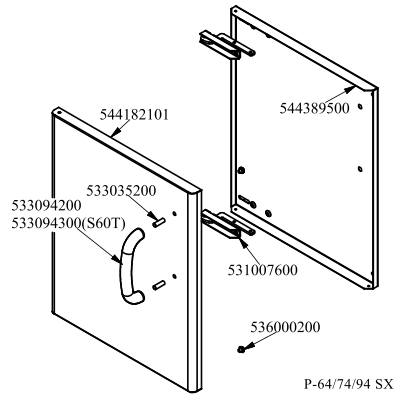
Objednací kód	Popis v ENG
539065300	BLACK STICKING DISK 72 (110,190°)
536041700	SILVER CHROM. KNOB Ø77 4P.G.Ø06X4,6
537000400	COMMUTATOR 1POS.SINGLEPHASE S49 16A
539071700	ADHES.LABEL FOR RING GREEN SIGN.
537001200	FIXING BRACKET FOR THERMOSTAT/COMM.
537037700	THERMOSTAT MONOPHASE 104-192°C
537000600	THERMOSTAT 90-180°C SINGLEPHASE
537014200	GREEN WARNING LIGHT 250V
537014100	WHITE WARNING LIGHT 250V
537024100	RED WARNING LIGHT LOW BUD 110V
537035400	HEATING ELEMENT 00003W 330KOHM W/F



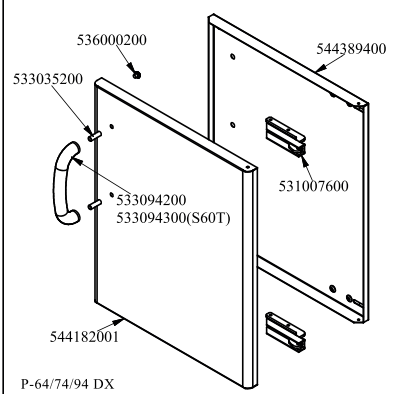
P-63/73/93 SX



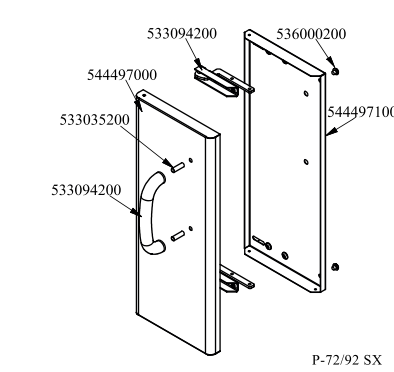
P-63/73/93 DX



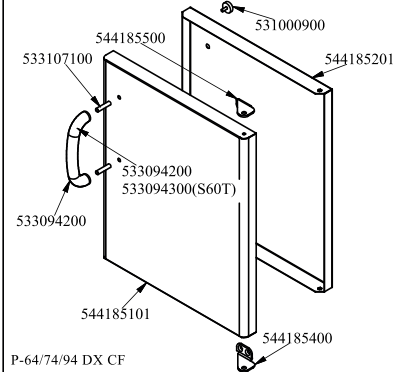
P-64/74/94 SX



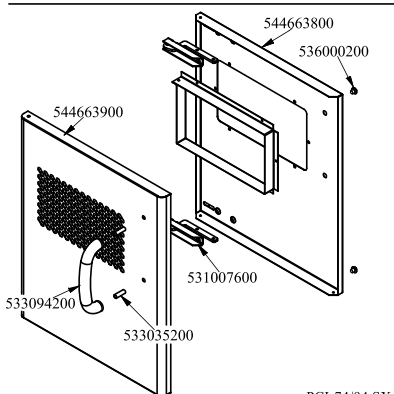
P-64/74/94 DX



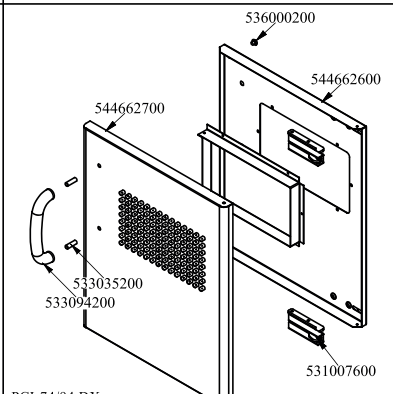
P-72/92 SX



P-64/74/94 DX CF



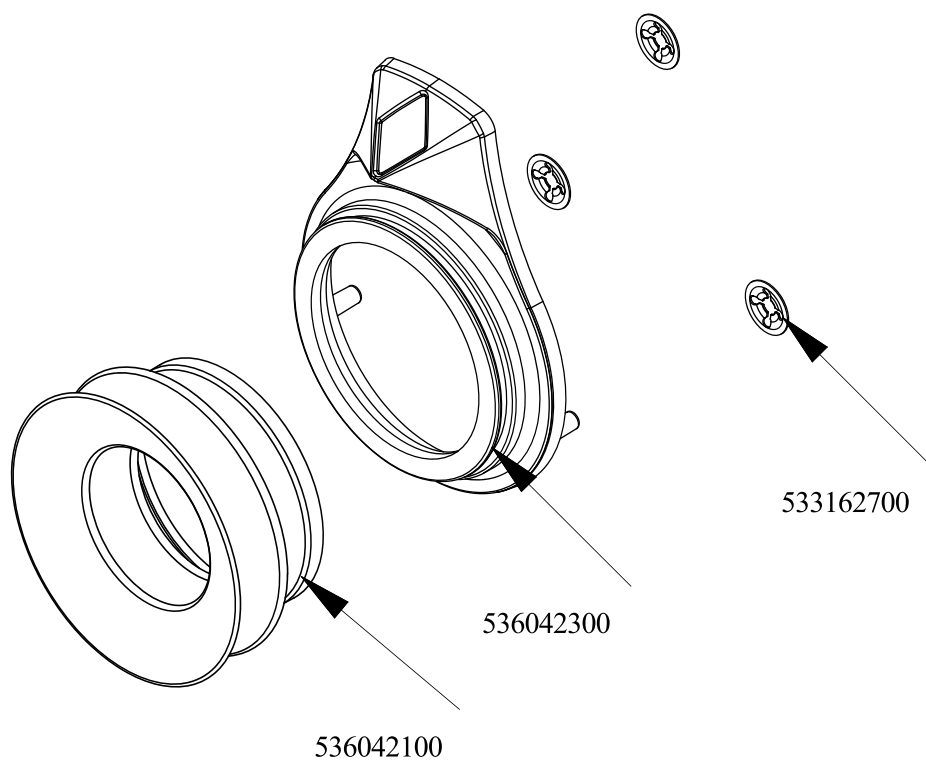
PCI-74/94 SX



PCI-74/94 DX



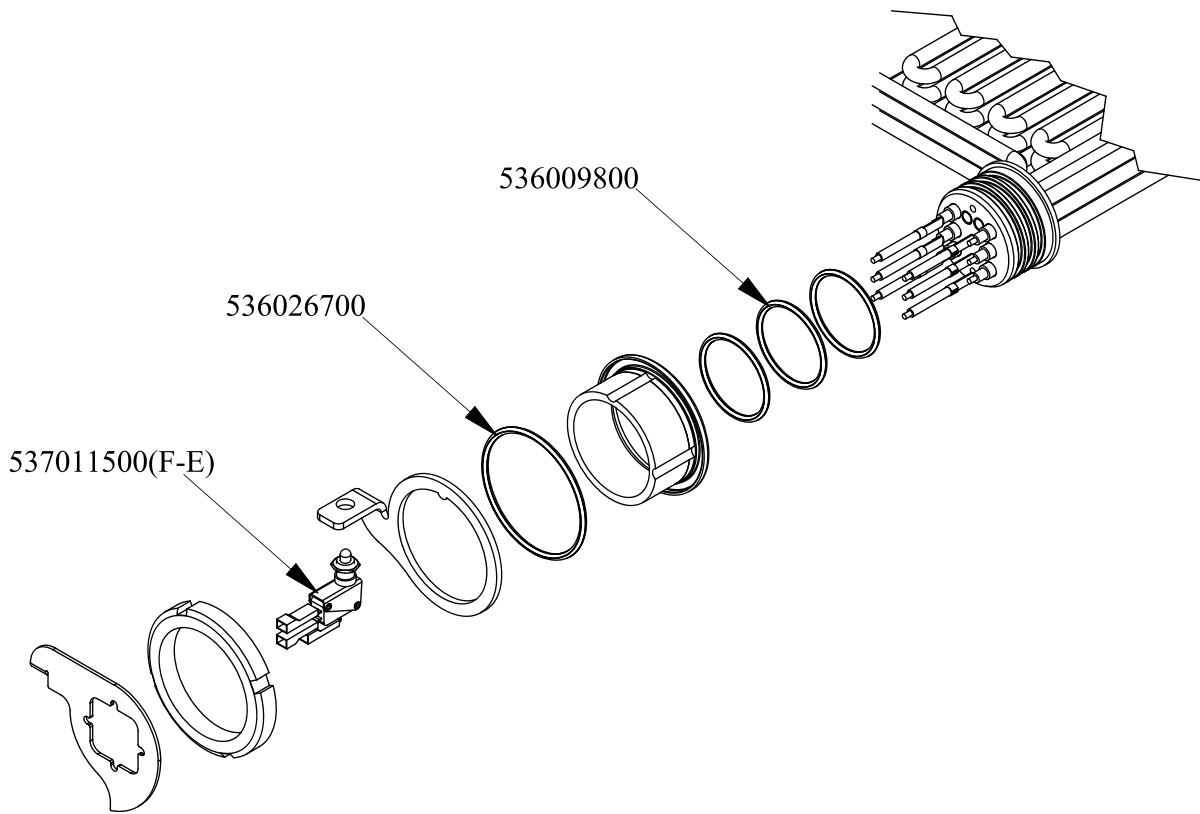
Objednací kód	Popis v ENG
544185101	RIGHT DOOR 74 CF
533107100	HANDLE SPACER OF CF-70
533094200	S/S HANDLE FOR 70/90 SERIES
544185400	LOWER DOOR HINGE FOR COMPARTME CF70
544185500	UPPER DOOR HINGE FOR COMPARTME CF70
544185201	INNER DOOR * 74DX
531000900	MAGNET §22 KG.3 WITH DISK
536000200	D.12 H.4 BUMPER
544182001	RIGHT DOOR 74
531007600	DOOR HINGE
544389400	
533035200	HANDLE SPACER
544182101	LEFT DOOR 74
544389500	INNER-DOOR OF LHD 74
544182401	RIGHT DOOR 73
544389200	
544389300	
544182501	LEFT DOOR 73
544497000	
544497100	
544663900	LHD 74 DOOR FOR PCI
544663800	74 LHD OVEN INNER DOOR FOUR PCI
544662700	DOOR 74 DX PCI
544662600	
533094300	S/S HANDLE FOR 600T.LINE



560125700M00P00



Objednací kód	Popis v ENG
536042300	SILVER CHROM. RING FOR KNOB Ø77 4 P
536042100	SEAL CASING FOR KNOB Ø77 4 P
533162700	PROCESSING CODE



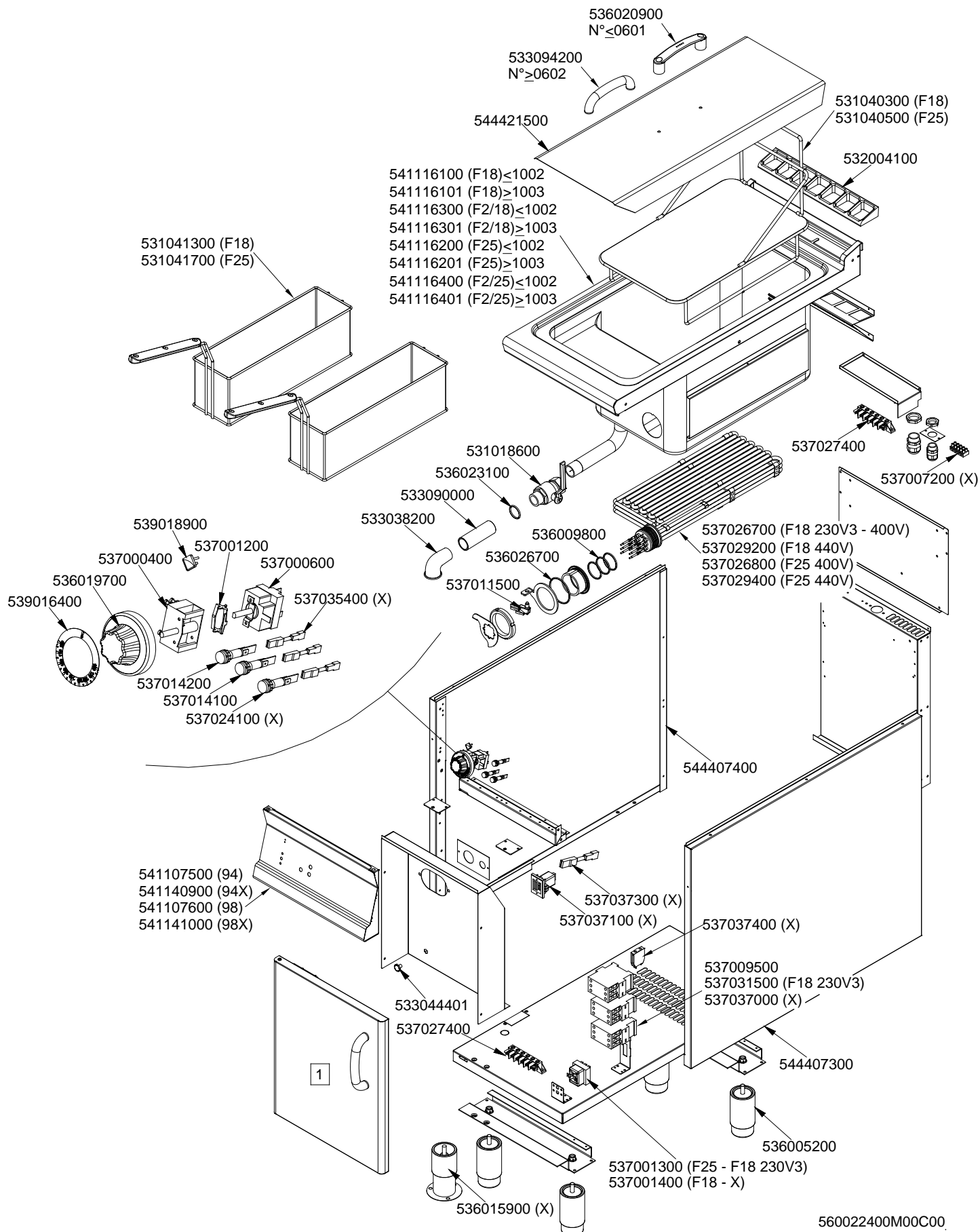
560111000M00P00



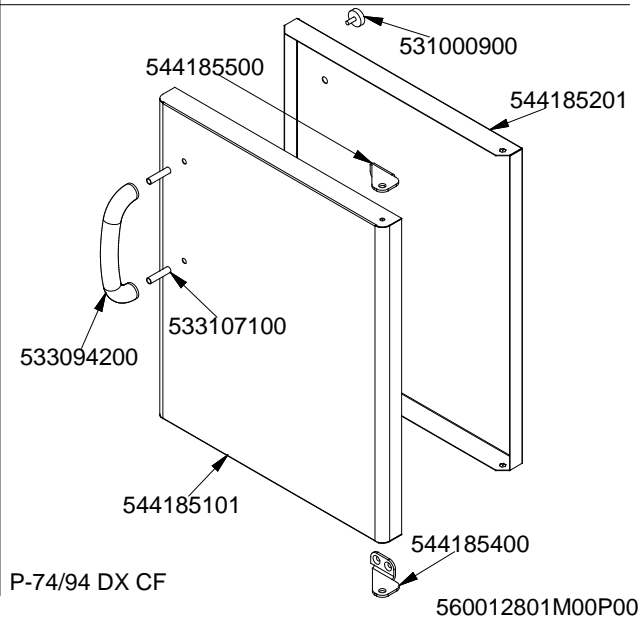
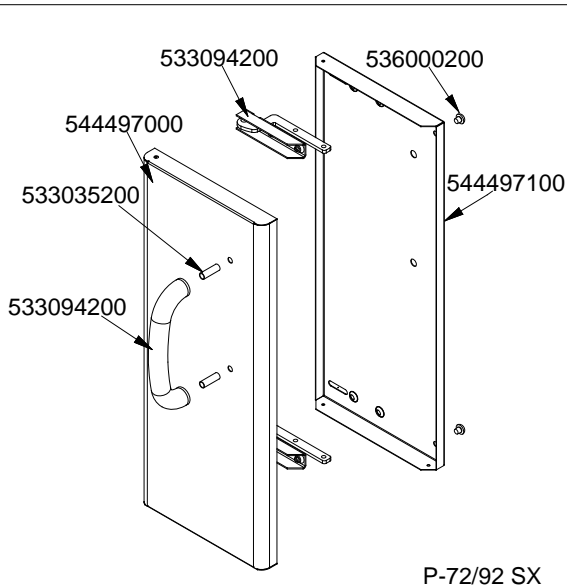
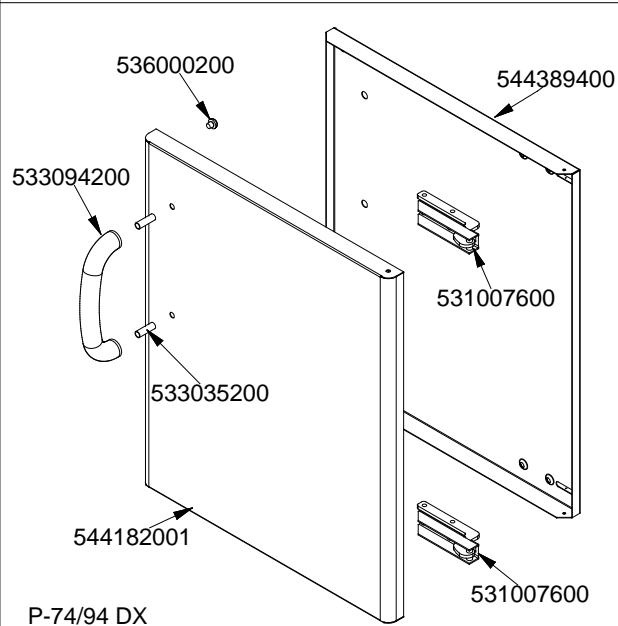
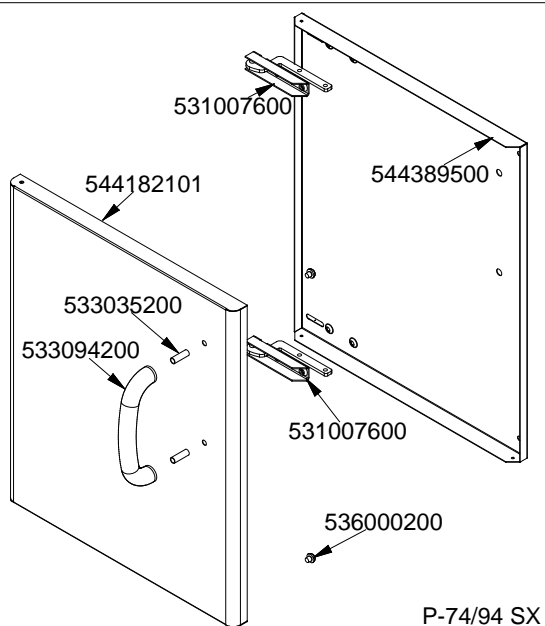
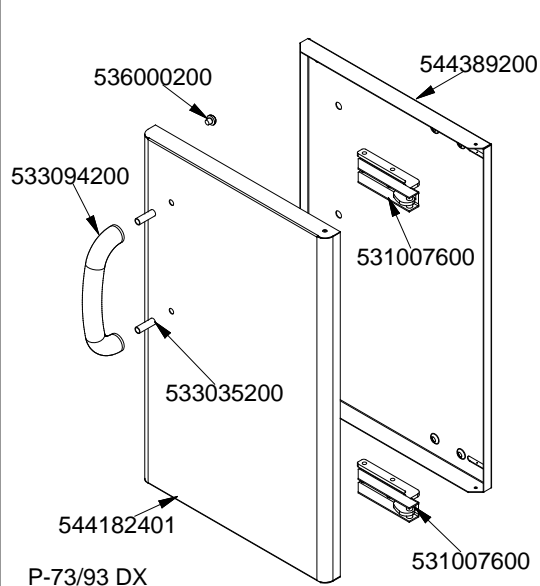
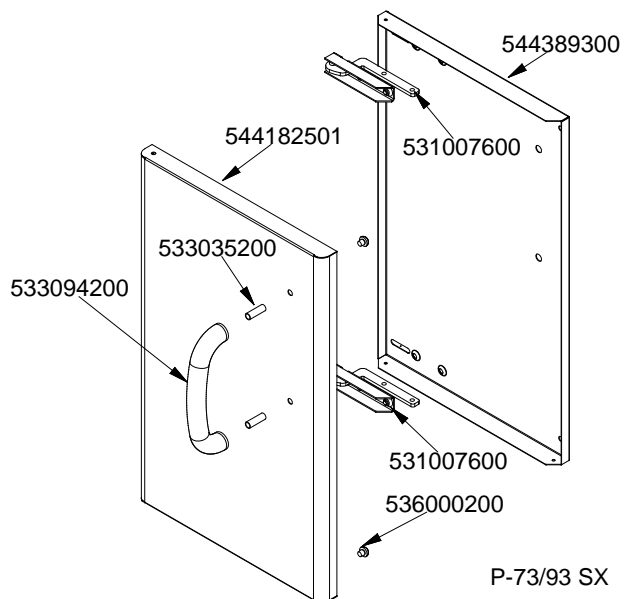
Objednací kód	Popis v ENG
536009800	GASKET O-RING 47,22X3,53 VITON
536026700	GASKET O-RING 74,61X3,53 VITON
537011500	MICRO-SWITCH 10A 400V



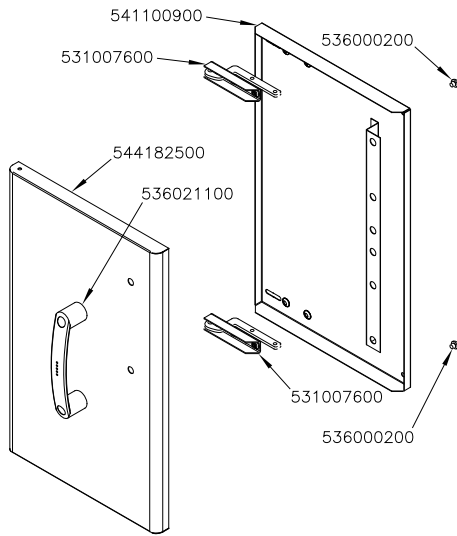
F18 - 94 ET, F2/18 - 98 ET, F25 - 94 ET, F2/25 - 98 ET
 Platný od 1.5.2016
 do 30.4.2019



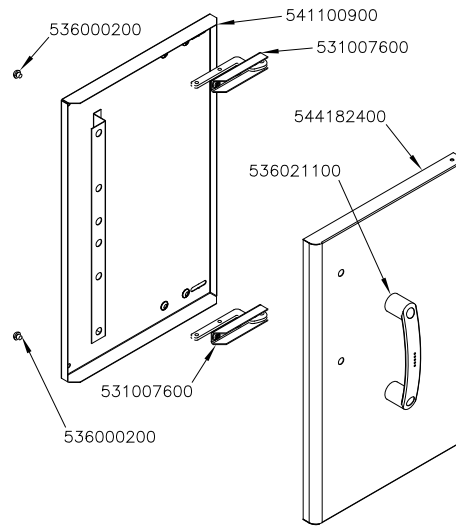
F18 - 94 ET, F2/18 - 98 ET, F25 - 94 ET, F2/25 - 98 ET
dveře N°od 0602
Platný od 1.5.2016
do 30.4.2019



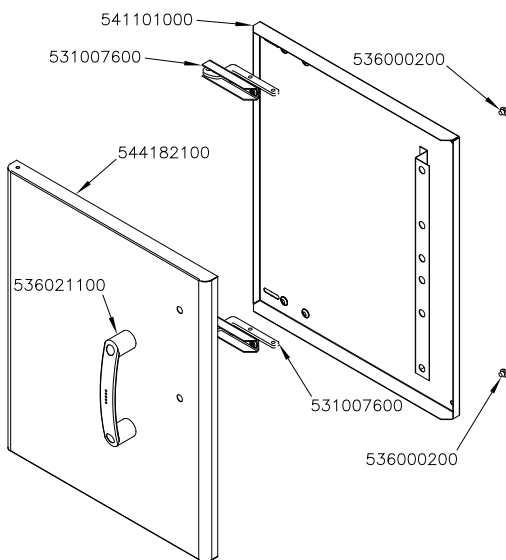
F18 - 94 ET, F2/18 - 98 ET, F25 - 94 ET, F2/25 - 98 ET
dveře N°do 0601
Platný od 1.5.2016
do 30.4.2019



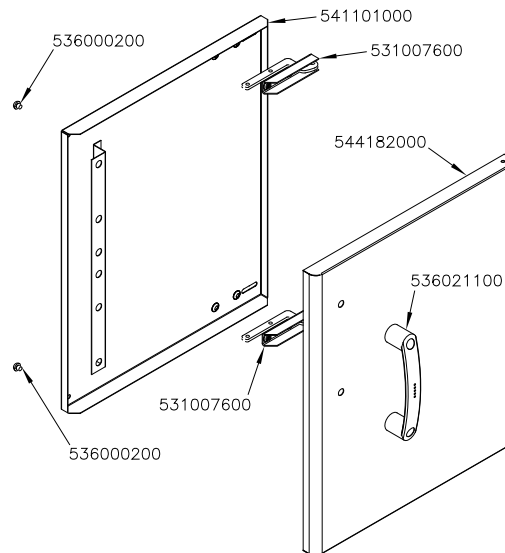
P-73/93 SX



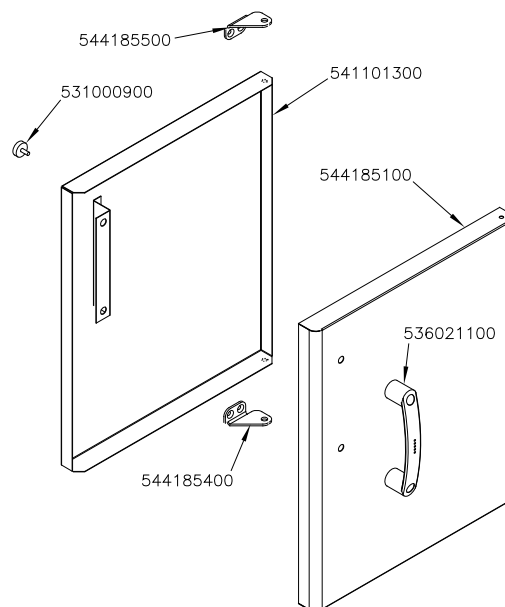
P-73/93 DX



P-74/94 SX



P-74/94 DX



P-74/94 DX CF

560012800M0P00