

# Technical data sheet

## Product features



### Electric grill water indirect 2 cooking areas 2x 38x66 on open cabinet 400 V

<b>Model</b>	<b>SAP Code</b>	00005914
--------------	-----------------	----------



- Grid size [mm x mm]: 380 x 660
- Removable rim: Yes
- Removable grid: Yes

<b>SAP Code</b>	00005914	<b>Power electric [kW]</b>	15.600
<b>Net Width [mm]</b>	800	<b>Loading</b>	400 V / 3N - 50 Hz
<b>Net Depth [mm]</b>	900	<b>Grid size [mm x mm]</b>	380 x 660
<b>Net Height [mm]</b>	900	<b>Worktop type</b>	Molded - comfortable cleaning maintenance
<b>Net Weight [kg]</b>	93.00		

# Technical data sheet

Technical drawing

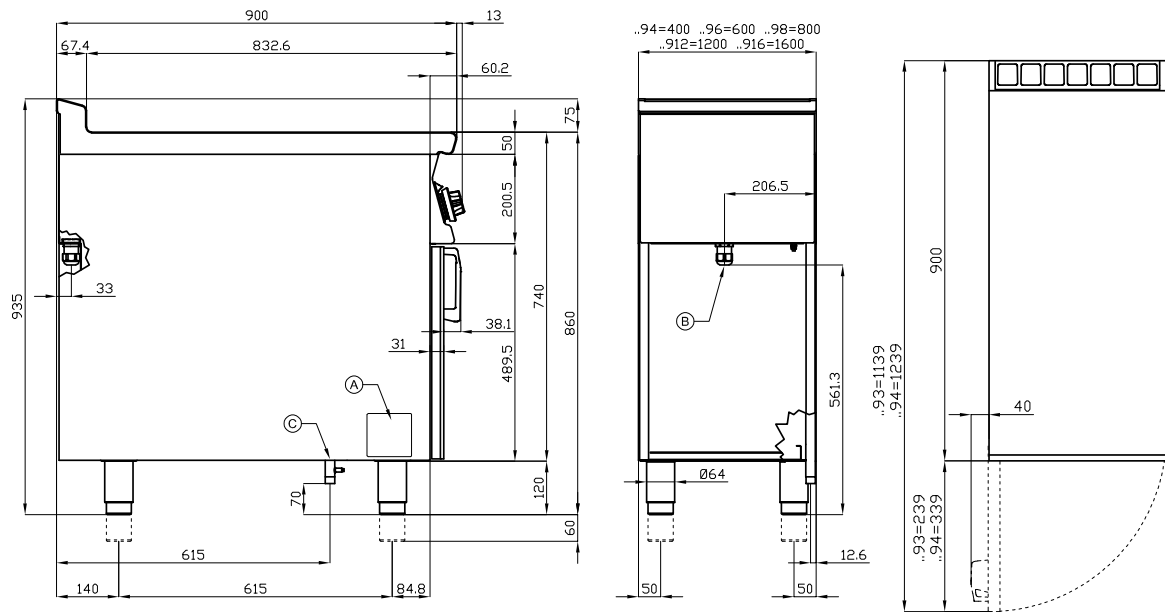


Electric grill water indirect 2 cooking areas 2x 38x66 on open cabinet 400 V

Model

SAP Code

00005914



A	Data plate	B	Electrical connection
---	------------	---	-----------------------

# Technical data sheet

Technical parameters



Electric grill water indirect 2 cooking areas 2x 38x66 on open cabinet 400 V

Model

SAP Code

00005914

**1. SAP Code:**

00005914

**2. Net Width [mm]:**

800

**3. Net Depth [mm]:**

900

**4. Net Height [mm]:**

900

**5. Net Weight [kg]:**

93.00

**6. Gross Width [mm]:**

830

**7. Gross depth [mm]:**

970

**8. Gross Height [mm]:**

1110

**9. Gross Weight [kg]:**

109.00

**10. Device type:**

Electric unit

**11. Construction type of device:**

With substructure

**12. Power electric [kW]:**

15.600

**13. Loading:**

400 V / 3N - 50 Hz

**14. Protection of controls:**

IPX5

**15. Device color:**

Stainless steel

**16. Material:**

Stainless steel

**17. Indicators:**

operation and warm-up

**18. Worktop type:**

Molded - comfortable cleaning maintenance

**19. Number of power control stages:**

6

**20. Grid material:**

Stainless steel

**21. Safety thermostat:**

Yes

**22. Adjustable feet:**

Yes

**23. Removable device container:**

Yes

**24. Removable rim:**

Yes

**25. Removable grid:**

Yes

**26. Grid size [mm x mm]:**

380 x 660

**27. Grid shape:**

special shape allowing the oil to drip into the water bath, protects the heating element

**28. Uniform heating:**

Yes