

Technical data sheet

Product features



Fry-top griddle plate smooth

Model	SAP Code	00013638
--------------	-----------------	----------



- Top type: Smooth
- Griddle dimensions [mm x mm]: 760 x 680
- Griddle thickness [mm]: 14.00
- Worktop material: Stainless steel
- Container for liquid fat: Yes
- Maximum device temperature [°C]: 300

SAP Code	00013638	Power electric [kW]	15.000
Net Width [mm]	800	Loading	400 V / 3N - 50 Hz
Net Depth [mm]	900	Griddle dimensions [mm x mm]	760 x 680
Net Height [mm]	280	Top type	Smooth
Net Weight [kg]	93.00	Worktop type	Molded - comfortable cleaning maintenance

Technical data sheet

Technical drawing

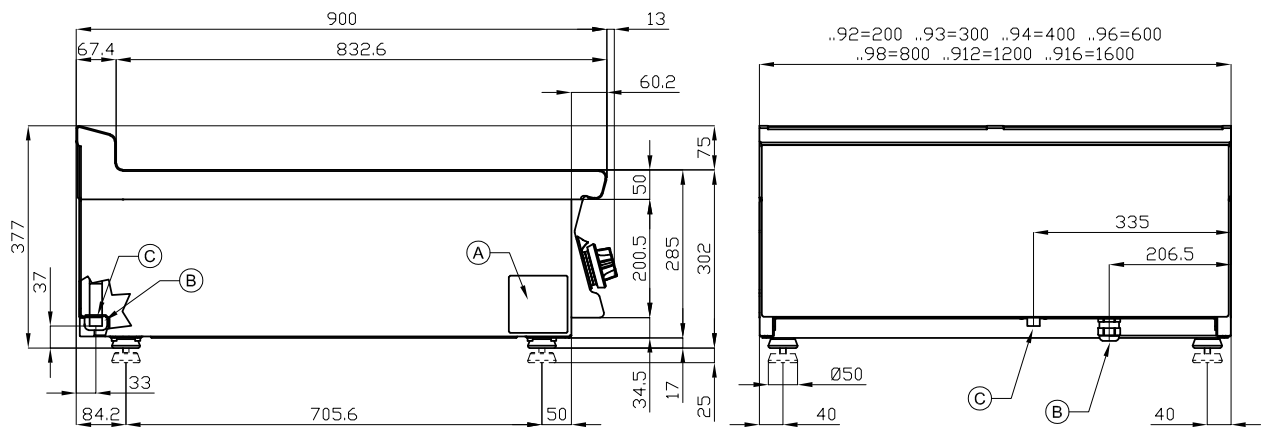


Fry-top griddle plate smooth

Model

SAP Code

00013638



A	Data plate	B	Electrical connection
---	------------	---	-----------------------

Technical data sheet

Technical parameters



Fry-top griddle plate smooth

Model

SAP Code

00013638

1. SAP Code:

00013638

2. Net Width [mm]:

800

3. Net Depth [mm]:

900

4. Net Height [mm]:

280

5. Net Weight [kg]:

93.00

6. Gross Width [mm]:

830

7. Gross depth [mm]:

970

8. Gross Height [mm]:

540

9. Gross Weight [kg]:

103.00

10. Device type:

Electric unit

11. Construction type of device:

With substructure

12. Power electric [kW]:

15.000

13. Loading:

400 V / 3N - 50 Hz

14. Protection of controls:

IPX5

15. Device color:

Stainless steel

16. Material:

AISI 304

17. Indicators:

operation and warm-up

18. Worktop type:

Molded - comfortable cleaning maintenance

19. Worktop material:

Stainless steel

20. Maximum device temperature [°C]:

300

21. Minimum device temperature [°C]:

50

22. Safety thermostat:

Yes

23. Adjustable feet:

Yes

24. Griddle dimensions [mm x mm]:

760 x 680

25. Griddle thickness [mm]:

14.00

26. Container for liquid fat:

Yes

27. Uniform heating:

Yes

28. Top type:

Smooth