

Technical data sheet

Product features



Cooking range solid top 120 - 3 zones

Model	SAP Code	00011788
--------------	-----------------	----------



- Device type: Gas unit
- Power consumption of the zone 1 [kW]: 10
- Power consumption of the zone 2 [kW]: 7
- Ignition: Piezo+veÄŤnÄŤ plamen
- Material: AISI 304

SAP Code	00011788	Type of gas	Propane butane, natural gas
Net Width [mm]	1200	Number of zones	2
Net Depth [mm]	900	Power consumption of the zone 1 [kW]	10
Net Height [mm]	280	Power consumption of the zone 2 [kW]	7
Net Weight [kg]	147.00	Solid top dimensions [mm x mm]	770x730
Power gas [kW]	29.000		

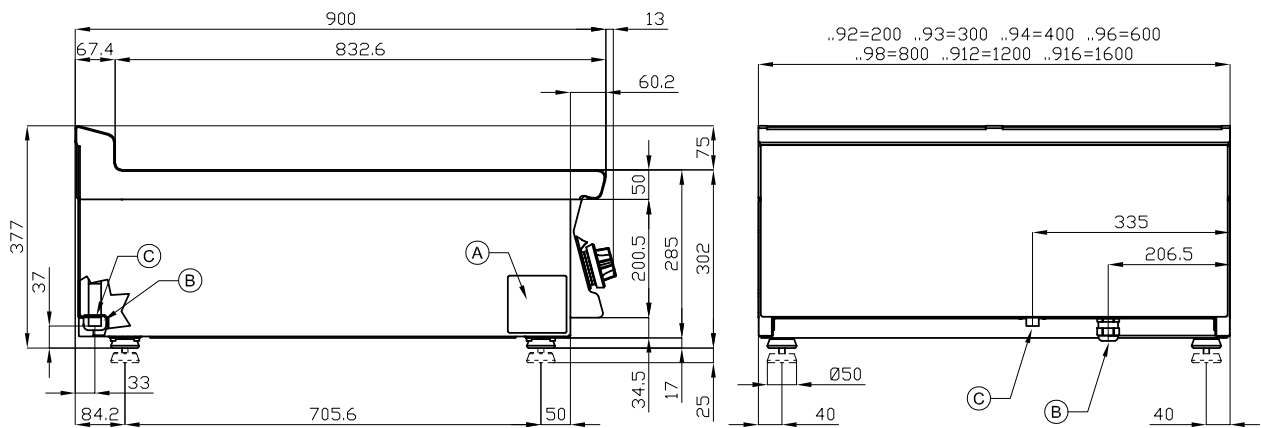
Technical data sheet

Technical drawing



Cooking range solid top 120 - 3 zones

Model	SAP Code	00011788
--------------	-----------------	----------



A	Data plate	C	Gas connection	ISO 7-1 1/2" M
---	------------	---	----------------	----------------

Technical data sheet

Technical parameters



Cooking range solid top 120 - 3 zones

Model

SAP Code

00011788

1. SAP Code:

00011788

2. Net Width [mm]:

1200

3. Net Depth [mm]:

900

4. Net Height [mm]:

280

5. Net Weight [kg]:

147.00

6. Gross Width [mm]:

1230

7. Gross depth [mm]:

970

8. Gross Height [mm]:

540

9. Gross Weight [kg]:

157.00

10. Device type:

Gas unit

11. Construction type of device:

Table top

12. Power gas [kW]:

29.000

13. Ignition:

Piezo+veÄŤnÄŤ plamen

14. Type of gas:

Propane butane, natural gas

15. Device color:

Stainless steel

16. Material:

AISI 304

17. Worktop type:

Molded - comfortable cleaning maintenance

18. Worktop material:

AISI 304

19. Number of zones:

2

20. Power consumption of the zone 1 [kW]:

10

21. Power consumption of the zone 2 [kW]:

7

22. Service accessibility:

From the front by removing the front panel and waste fluid containers

23. Safety thermocouple:

Yes

24. Adjustable feet:

Yes

25. Number of burners/hot plates:

3

26. Type of gas cooking zones:

Fire protection to install + Classic burners

27. Burner type:

Brass, detachable

28. Solid top thickness [mm]:

15

Technical data sheet

Technical parameters



Cooking range solid top 120 - 3 zones

Model	SAP Code	00011788
--------------	-----------------	----------

29. Solid top dimensions [mm x mm]:

770x730

30. Solid top ignition:

Piezo + Eternal Flame