

Technical data sheet

Product features



Cooking range gas on open cabinet

Model	SAP Code	00014779
--------------	-----------------	----------



- Device type: Gas unit
- Ignition: Eternal flame
- Material: AISI 304

SAP Code	00014779	Net Weight [kg]	105.00
Net Width [mm]	1200	Power gas [kW]	39.000
Net Depth [mm]	730	Type of gas	Natural gas, propane butane
Net Height [mm]	900		

Technical data sheet

Technical drawing

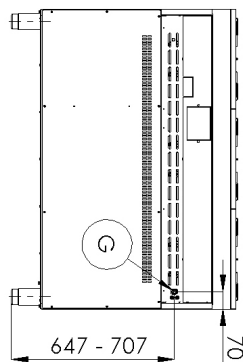
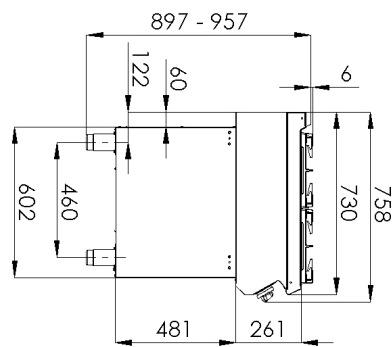
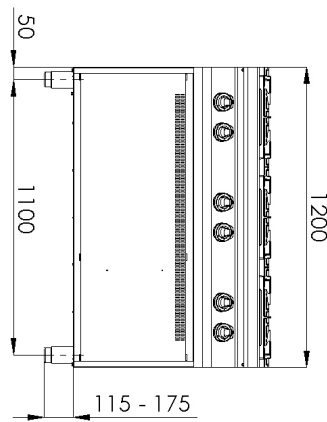


Cooking range gas on open cabinet

Model

SAP Code

00014779



Technical data sheet

Technical parameters



Cooking range gas on open cabinet

Model

SAP Code

00014779

1. SAP Code:

00014779

2. Article group:

Stoves

3. Net Width [mm]:

1200

4. Net Depth [mm]:

730

5. Net Height [mm]:

900

6. Net Weight [kg]:

105.00

7. Gross Width [mm]:

1260

8. Gross depth [mm]:

820

9. Gross Height [mm]:

1080

10. Gross Weight [kg]:

121.70

11. Device type:

Gas unit

12. Construction type of device:

With substructure

13. Power gas [kW]:

39.000

14. Ignition:

Eternal flame

15. Type of gas:

Natural gas, propane butane

16. Device color:

Stainless steel

17. Material:

AISI 304

18. Worktop type:

Molded - comfortable cleaning maintenance

19. Worktop material:

AISI 304

20. Worktop Thickness [mm]:

1.50

21. Grid material:

Cast iron

22. Service accessibility:

Trough the frontal panel

23. Safety thermocouple:

Yes

24. Adjustable feet:

Yes

25. Number of burners/hot plates:

6

26. Type of gas cooking zones:

Classic

27. Burner type:

Cast iron, detachable, with internal and external combustion