

# Technical data sheet

## Product features



### Cooking range electric 4x plate on open cabinet 400 V

|              |                 |          |
|--------------|-----------------|----------|
| <b>Model</b> | <b>SAP Code</b> | 00002948 |
|--------------|-----------------|----------|



- Device type: Electric unit
- Power consumption of the zone 1 [kW]: 2,6
- Power consumption of the zone 2 [kW]: 2,6
- Power consumption of the zone 3 [kW]: 2,6
- Power consumption of the zone 4 [kW]: 2,6
- Protection of controls: IPX5
- Material: Stainless steel

|                            |                    |   |     |
|----------------------------|--------------------|---|-----|
| <b>SAP Code</b>            | 00002948           | <b>Number of zones</b>                      | 4   |
| <b>Net Width [mm]</b>      | 800                | <b>Power consumption of the zone 1 [kW]</b> | 2,6 |
| <b>Net Depth [mm]</b>      | 705                | <b>Power consumption of the zone 2 [kW]</b> | 2,6 |
| <b>Net Height [mm]</b>     | 900                | <b>Power consumption of the zone 3 [kW]</b> | 2,6 |
| <b>Net Weight [kg]</b>     | 55.00              | <b>Power consumption of the zone 4 [kW]</b> | 2,6 |
| <b>Power electric [kW]</b> | 10.400             | <b>Diameter of device [mm]</b>              | 220 |
| <b>Loading</b>             | 400 V / 3N - 50 Hz |   |     |

# Technical data sheet

Technical drawing

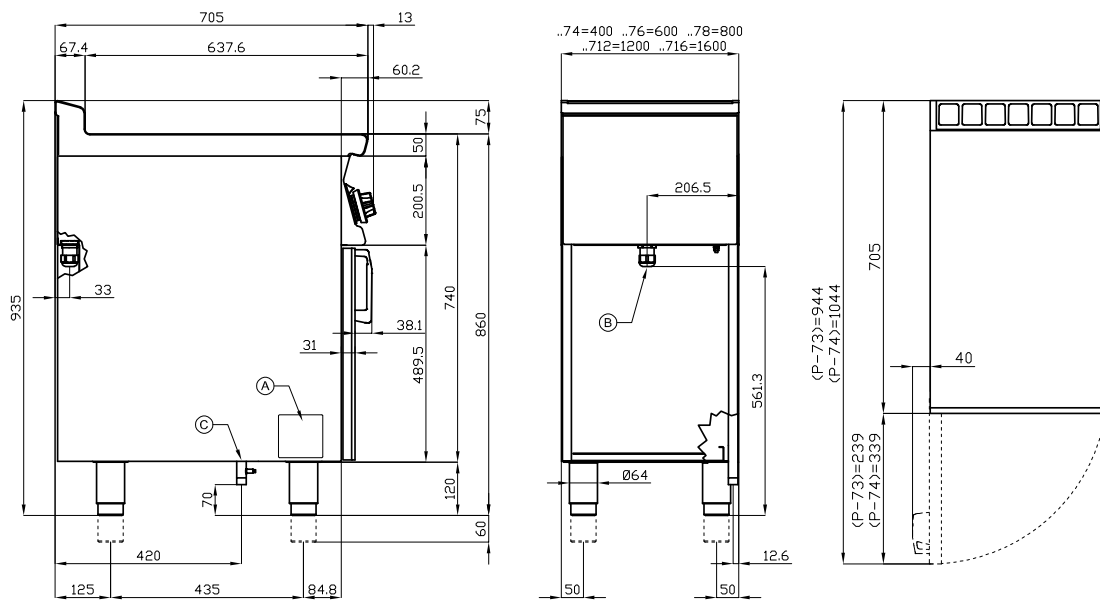


Cooking range electric 4x plate on open cabinet 400 V

Model

SAP Code

00002948



|   |            |   |                       |
|---|------------|---|-----------------------|
| A | Data plate | B | Electrical connection |
|---|------------|---|-----------------------|

# Technical data sheet

Product benefits



## Cooking range electric 4x plate on open cabinet 400 V

Model

SAP Code

00002948

1

### Internal thermostatic plate protection

longer service life of the plates  
– no overheating of the plates and no cracking

2

### Degree of protection of the control elements IPX5

maintenance-free system  
resistance to splash water  
long life  
– savings on service interventions  
– easy cleaning and maintenance of equipment

3

### All-stainless design

the material does not cut  
wear resistance of the material  
long life  
– savings on service interventions  
– easy cleaning and maintenance of equipment

4

### Hygienic moldings of the top plate

absence of sharp corners and edges (potential places where dirt could stick)  
smooth transitions  
– easy quick cleaning

# Technical data sheet

Technical parameters



## Cooking range electric 4x plate on open cabinet 400 V

Model

SAP Code

00002948

### 1. SAP Code:

00002948

### 2. Net Width [mm]:

800

### 3. Net Depth [mm]:

705

### 4. Net Height [mm]:

900

### 5. Net Weight [kg]:

55.00

### 6. Gross Width [mm]:

830

### 7. Gross depth [mm]:

770

### 8. Gross Height [mm]:

1110

### 9. Gross Weight [kg]:

68.00

### 10. Device type:

Electric unit

### 11. Construction type of device:

With substructure

### 12. Power electric [kW]:

10.400

### 13. Loading:

400 V / 3N - 50 Hz

### 27. Service accessibility:

From the front by removing the front panel and waste fluid containers

### 14. Protection of controls:

IPX5

### 15. Material:

Stainless steel

### 16. Worktop type:

Molded - comfortable cleaning maintenance

### 17. Worktop material:

AISI 304

### 18. Worktop Thickness [mm]:

2.00

### 19. Number of zones:

4

### 20. Power consumption of the zone 1 [kW]:

2,6

### 21. Power consumption of the zone 2 [kW]:

2,6

### 22. Power consumption of the zone 3 [kW]:

2,6

### 23. Power consumption of the zone 4 [kW]:

2,6

### 24. Maximum device temperature [°C]:

300

### 25. Minimum device temperature [°C]:

50

### 26. Number of power control stages:

7

### 31. Additional information:

door not included - can be purchased

# Technical data sheet

Technical parameters



## Cooking range electric 4x plate on open cabinet 400 V

**Model**

**SAP Code**

00002948

---

### 28. Safety element:

internal thermostatic protection of the hotplate against overheating

---

### 29. Safety thermostat:

Yes

---

### 30. Adjustable feet:

Yes

---

### 32. Number of burners/hot plates:

4

---

### 33. Diameter of device [mm]:

220

---

### 34. Type of electric cooking zones:

Oval