

Technical data sheet

Product features



Cooking range gas 2x burner without cabinet

Model	SAP Code	00002983
--------------	-----------------	----------



- Device type: Gas unit
- Power consumption of the zone 1 [kW]: 5,5
- Power consumption of the zone 2 [kW]: 3,5
- Ignition: Piezo
- Protection of controls: IPX5
- Material: AISI 304 top plate and cladding

SAP Code	00002983	Power gas [kW]	9.000
Net Width [mm]	300	Type of gas	Natural gas, propane butane
Net Depth [mm]	600	Number of zones	2
Net Height [mm]	280	Power consumption of the zone 1 [kW]	5,5
Net Weight [kg]	15.00	Power consumption of the zone 2 [kW]	3,5

Technical data sheet

Technical drawing

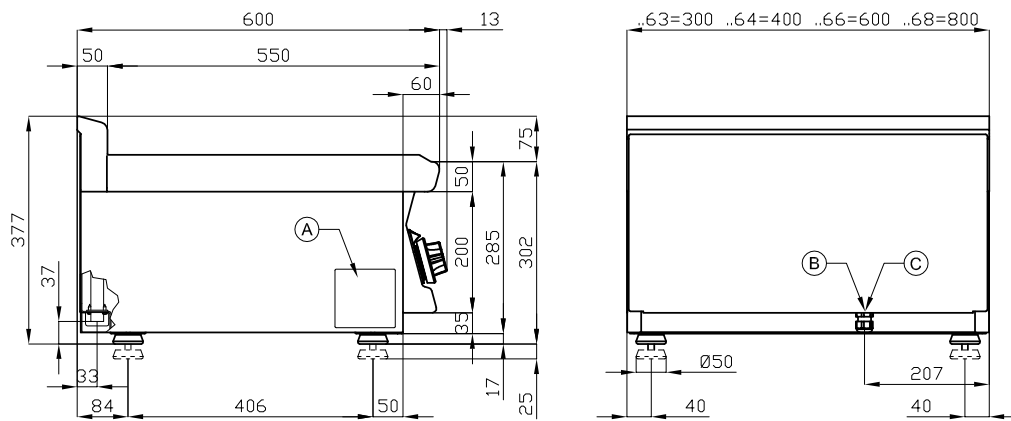


Cooking range gas 2x burner without cabinet

Model

SAP Code

00002983



A	Data plate	C	Gas connection	ISO 7-1 1/2" M
---	------------	---	----------------	----------------

Technical data sheet

Product benefits



Cooking range gas 2x burner without cabinet

Model

SAP Code

00002983

1

Massive construction of burners

high performance and efficiency
brass burners removable
eternal flame
long life
demountable

- energy saving (perfect combustion)
- time saving for food preparation
- easy maintenance/cleaning

2

Hygienic moldings of the top plate

absence of sharp corners and edges (potential places where dirt could stick)
smooth transitions

- easy quick cleaning

3

Degree of protection of the control elements IPX5

maintenance-free system
resistance to splash water
long life

- savings on service interventions
- easy cleaning and maintenance of equipment

4

All-stainless design

the material does not cut
wear resistance of the material
long life

- savings on service interventions
- easy cleaning and maintenance of equipment

5

Safety element - thermocouple

safe operation for personnel
there is no overheating and damage to the thallus
long life

- savings on service interventions
- easier and faster operation

6

Piezoelectric ignition

instant flame ignition
there is no unnecessary gas leakage
long life

- savings on service interventions
- easier and faster operation

7

Cooking unit for use on a table or on a base

variable use
the possibility of placement in smaller spaces

- easy handling
- cost savings on substructure

Technical data sheet

Technical parameters



Cooking range gas 2x burner without cabinet

Model

SAP Code

00002983

1. SAP Code:

00002983

2. Net Width [mm]:

300

3. Net Depth [mm]:

600

4. Net Height [mm]:

280

5. Net Weight [kg]:

15.00

6. Gross Width [mm]:

330

7. Gross depth [mm]:

690

8. Gross Height [mm]:

610

9. Gross Weight [kg]:

20.00

10. Device type:

Gas unit

11. Construction type of device:

Table top

12. Power gas [kW]:

9.000

13. Ignition:

Piezo

14. Type of gas:

Natural gas, propane butane

15. Protection of controls:

IPX5

16. Device color:

Stainless steel

17. Material:

AISI 304 top plate and cladding

18. Worktop material:

AISI 304

19. Worktop Thickness [mm]:

1.00

20. Number of zones:

2

21. Power consumption of the zone 1 [kW]:

5,5

22. Power consumption of the zone 2 [kW]:

3,5

23. Number of power control stages:

6

24. Service accessibility:

Trough the frontal panel

25. Safety thermocouple:

Yes

26. Adjustable feet:

Yes

27. Number of burners/hot plates:

2

28. Type of gas cooking zones:

Brass burners