

# Technical data sheet

## Product features



### Cooking range electric 2x plate without cabinet 400 V

<b>Model</b>	<b>SAP Code</b>	00002982
--------------	-----------------	----------



- Device type: Electric unit
- Power consumption of the zone 1 [kW]: 1x hot plate  
1 kW ø 145 mm
- Power consumption of the zone 2 [kW]: 1x hot plate  
2 kW ø 180 mm
- Protection of controls: IPX5
- Material: AISI 304 top plate and cladding

<b>SAP Code</b>	00002982	<b>Power electric [kW]</b>	3.000
<b>Net Width [mm]</b>	300	<b>Loading</b>	400 V / 3N - 50 Hz
<b>Net Depth [mm]</b>	600	<b>Number of zones</b>	2
<b>Net Height [mm]</b>	280	<b>Power consumption of the zone 1 [kW]</b>	1x hot plate 1 kW ø 145 mm
<b>Net Weight [kg]</b>	10.00	<b>Power consumption of the zone 2 [kW]</b>	1x hot plate 2 kW ø 180 mm

# Technical data sheet

Technical drawing

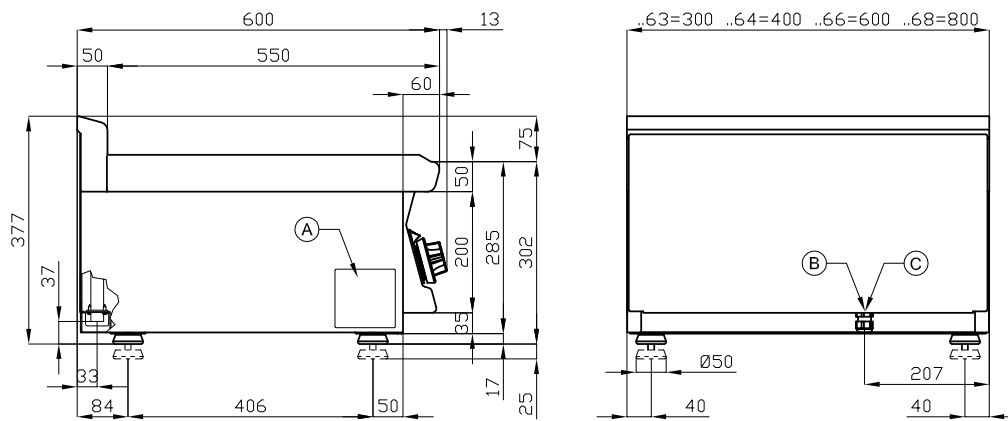


## Cooking range electric 2x plate without cabinet 400 V

Model

SAP Code

00002982



A	Data plate		B	Electrical connection	
---	------------	--	---	-----------------------	--

# Technical data sheet

## Product benefits



### Cooking range electric 2x plate without cabinet 400 V

Model

SAP Code

00002982

1

#### Internal thermostatic plate protection

longer service life of the plates

- no overheating of the plates and no cracking

2

#### Degree of protection of the control elements IPX5

maintenance-free system

resistance to splash water

long life

- savings on service interventions
- easy cleaning and maintenance of equipment

3

#### All-stainless design

the material does not cut

wear resistance of the material

long life

- savings on service interventions
- easy cleaning and maintenance of equipment

4

#### Hygienic moldings of the top plate

absence of sharp corners and edges (potential places where dirt could stick)

smooth transitions

- easy quick cleaning

5

#### Cooking unit for use on a table or on a base

variability

- easy handling
- cost savings on substructure

# Technical data sheet

Technical parameters



## Cooking range electric 2x plate without cabinet 400 V

Model

SAP Code

00002982

**1. SAP Code:**

00002982

**2. Net Width [mm]:**

300

**3. Net Depth [mm]:**

600

**4. Net Height [mm]:**

280

**5. Net Weight [kg]:**

10.00

**6. Gross Width [mm]:**

330

**7. Gross depth [mm]:**

690

**8. Gross Height [mm]:**

610

**9. Gross Weight [kg]:**

16.00

**10. Device type:**

Electric unit

**11. Construction type of device:**

Table top

**12. Power electric [kW]:**

3.000

**13. Loading:**

400 V / 3N - 50 Hz

**14. Protection of controls:**

IPX5

**15. Device color:**

Stainless steel

**16. Material:**

AISI 304 top plate and cladding

**17. Indicators:**

operation

**18. Worktop type:**

Molded - comfortable cleaning maintenance

**19. Worktop material:**

AISI 304

**20. Worktop Thickness [mm]:**

1.00

**21. Number of zones:**

2

**22. Power consumption of the zone 1 [kW]:**

1x hot plate 1 kW ø 145 mm

**23. Power consumption of the zone 2 [kW]:**

1x hot plate 2 kW ø 180 mm

**24. Maximum device temperature [°C]:**

300

**25. Minimum device temperature [°C]:**

50

**26. Number of power control stages:**

6

**27. Service accessibility:**

Trough the frontal panel

**28. Safety element:**

internal thermostatic protection of the hotplate against overheating

# Technical data sheet

Technical parameters



## Cooking range electric 2x plate without cabinet 400 V

<b>Model</b>	<b>SAP Code</b>	00002982
--------------	-----------------	----------

### 29. Safety thermostat:

Yes

### 31. Number of burners/hot plates:

2

### 30. Adjustable feet:

Yes

### 32. Type of electric cooking zones:

Oval