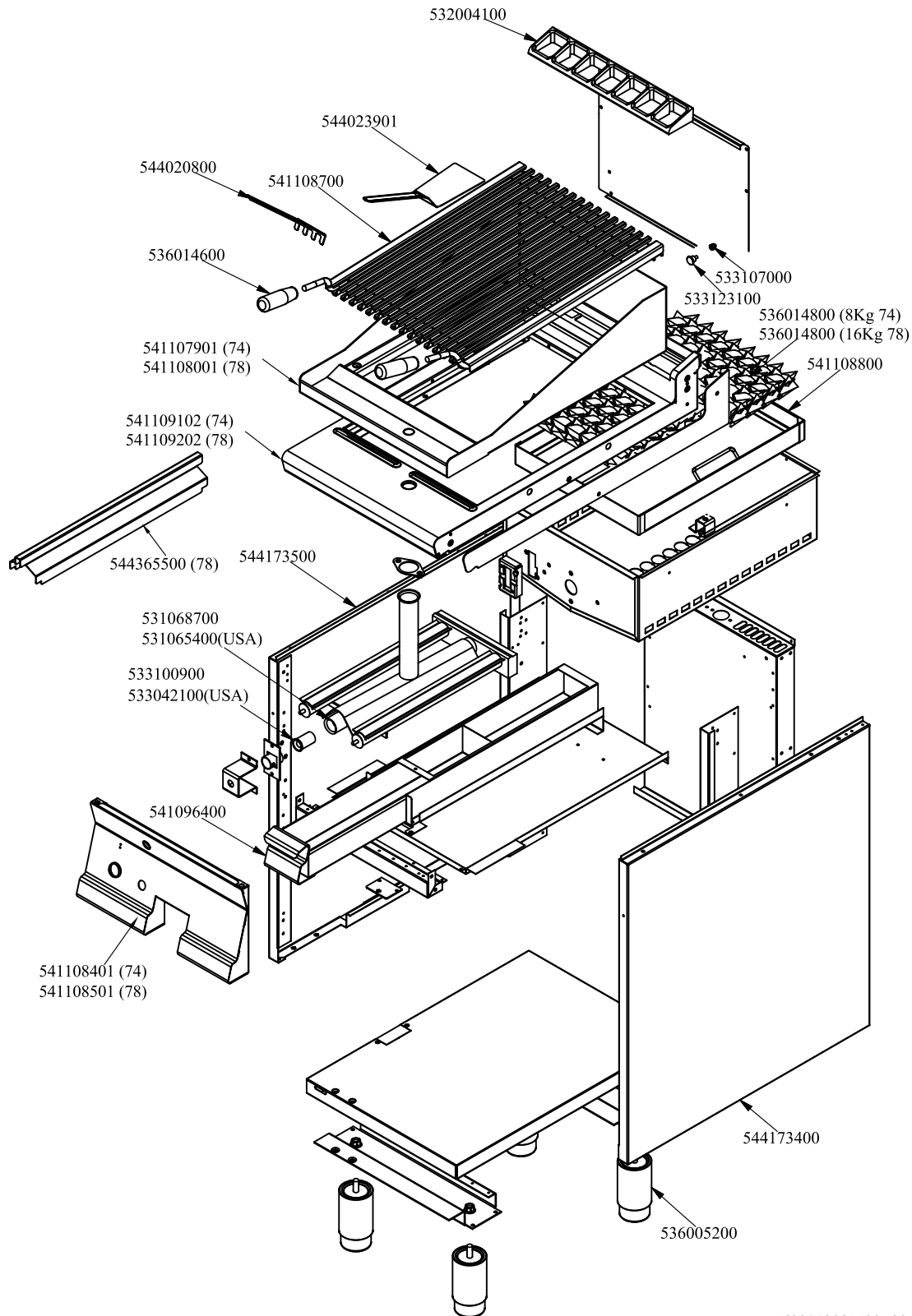


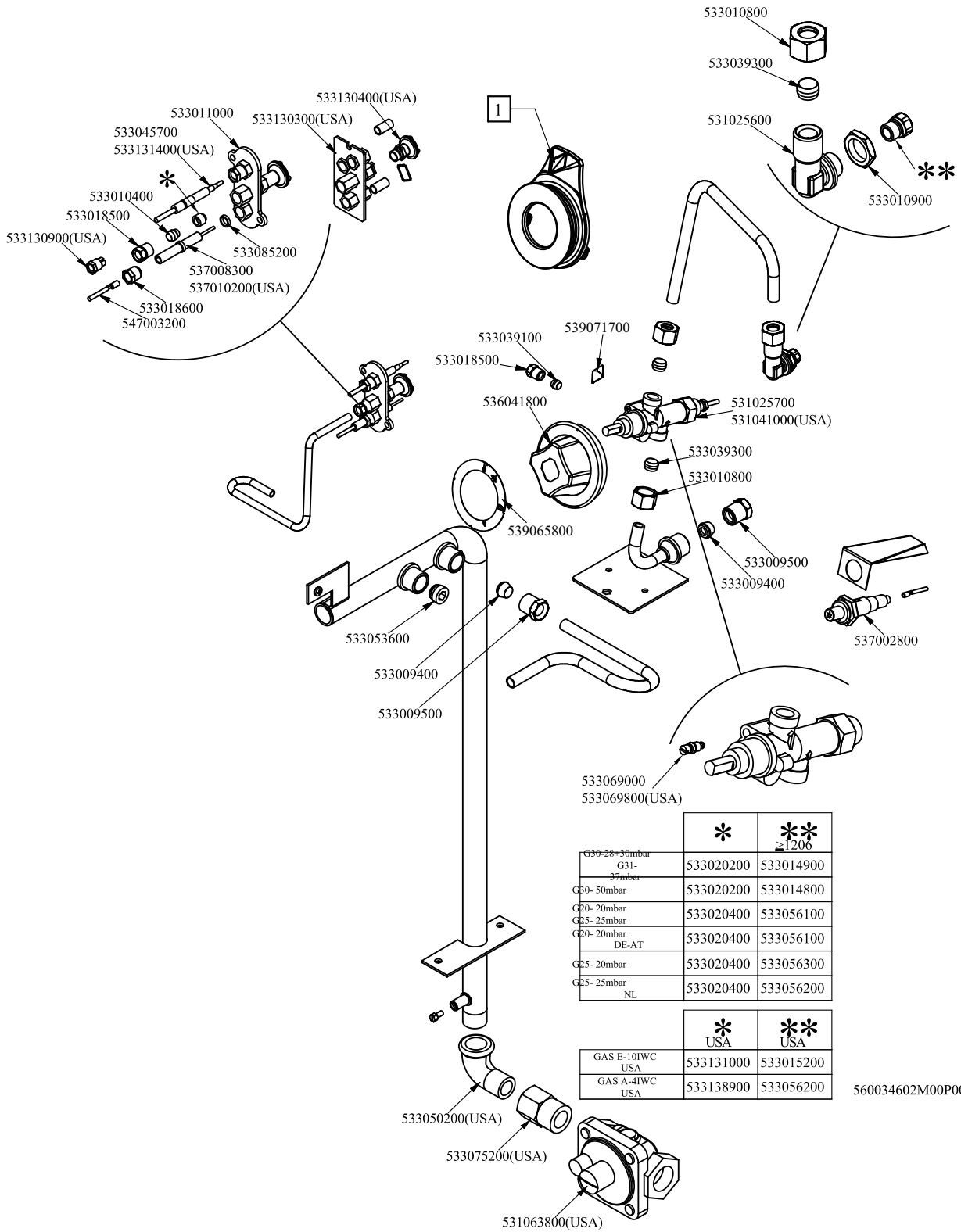


RM 700  
 Platný od 1.5. 2019  
 CPT-74G





Objednačí kód	Popis v ENG
536014800	LAVASTONE
541109102	
541107901	SPLASH SHIELD CW-74
541108401	FRONT PANEL * 607090S CW-74/94G
544173500	LEFT SIDE PANEL S.70
541096400	DRIP TRAY FT S.70
544173400	RIGHT SIDE PANEL S.70
532004100	FLUE GRID L=370 90LINE (RAF)
544023901	SPATTLE FOR FRY-TOP
544020800	SPATTLE FOR CW S70 S90
536014600	GRIP D.28*90*M10 CW
541108800	STONE SUPPORTING FRAME CW-74G
541108700	"S" GRID FOR CW-70G
533107000	PROCESSING CODE
533123100	PROCESSING CODE
533100900	AIR ADJUSTMENT BUSHING D22 EST.H38
531068700	BURNER CW-G 9KW S70
536005200	INOX LEG 2" 120-180 M10



	*	**
G30-28-30mbar	*	**
G31-27mbar	533020200	533014900
G80-50mbar	533020200	533014800
G20-20mbar	533020400	533056100
G25-25mbar	533020400	533056100
G20-20mbar DE-AT	533020400	533056100
G25-20mbar	533020400	533056300
G25-25mbar NL	533020400	533056200

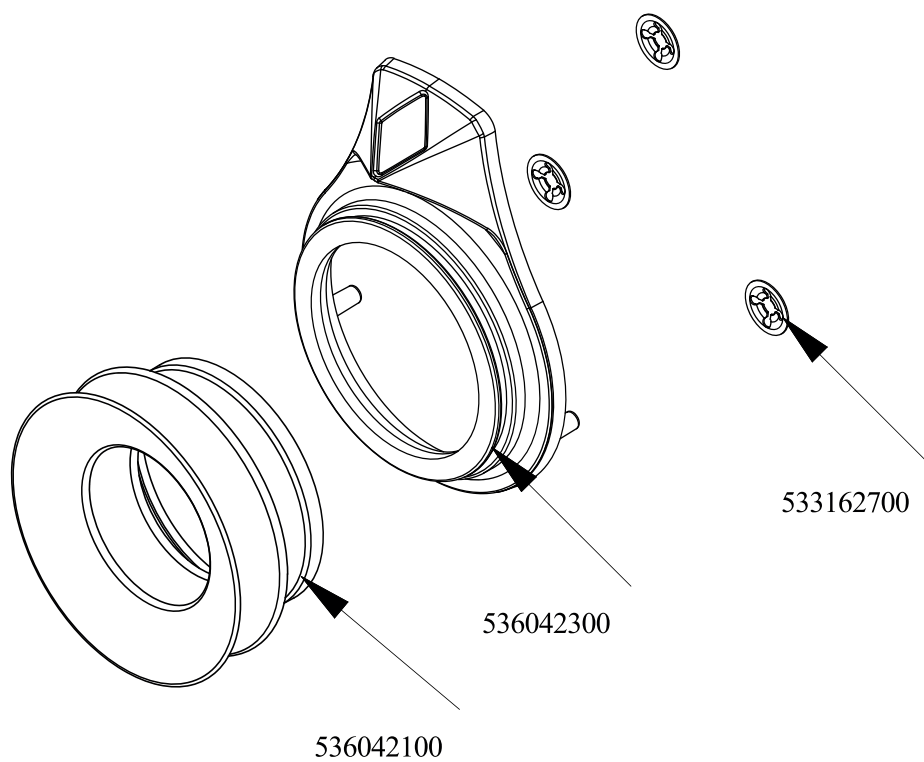
  

	*	**
GAS E-10IWC USA	533131000	533015200
GAS A-4IWC USA	533138900	533056200

560034602M00P00



Objednací kód	Popis v ENG
539071700	ADHES.LABEL FOR RING GREEN SIGN.
533010900	NUT M14*1 H.4
531025600	ELBOW 90° NOZZLE-HOLDER §10 PIPE
533039300	BICONE §10
533010800	TUBE NUT D.10 M16*1,5
533039100	BICONE §6
533018500	FITTING FOR BICONE D.6 M10*1
533009500	NIPPLE FOR BICONE 10S
533009400	BICONE 10S
533053600	EUROSIT VALVE PLUG
537002800	PIEZOELECTRIC IGNITION M18 WITH NUT
536041800	SILVER CHROM. KNOB Ø77 4P.G.Ø08X6,5
539054200	STAMP Ø20,5 CR."L" LOTUS R.
533010400	BICONE D.6
547003200	HIGH-VOLTAGE CABLE TUBE.§2 L=500
533018600	PLUG FITTING
533085200	SPACER FOR PILOT PLUG
537008300	ROUND PLUG §2,4- LONG ELECTRODE
533045700	THERMOCOUPLE M9*1 500
533011000	PILOT BURNER 3 FLAMES 320
533069000	BY PASS COCK §70 20S-21S
531025700	SAFETY TAP 21S-B PEL21S22070
539065800	BLACK STICKING DISK 72
533020200	PILOT JETS 0160 FOR LPG §30
533020400	NOZZLE 0160 (NATURAL GAS) 51
533015200	NOZZLE §145 CH12*14 F-FP/CP6
533056200	NOZZLE §230 CH12*14
533131000	NOZZLE 0190 (30)
533138900	NOZZLE 0190 (62)
533014900	NOZZLE §150 CH12*14 F-FQ5 L-FQ6
533014800	NOZZLE §135 CH12*14,0
533056100	NOZZLE §220 CH12*14
533056300	NOZZLE §240 CH12*14
-	-



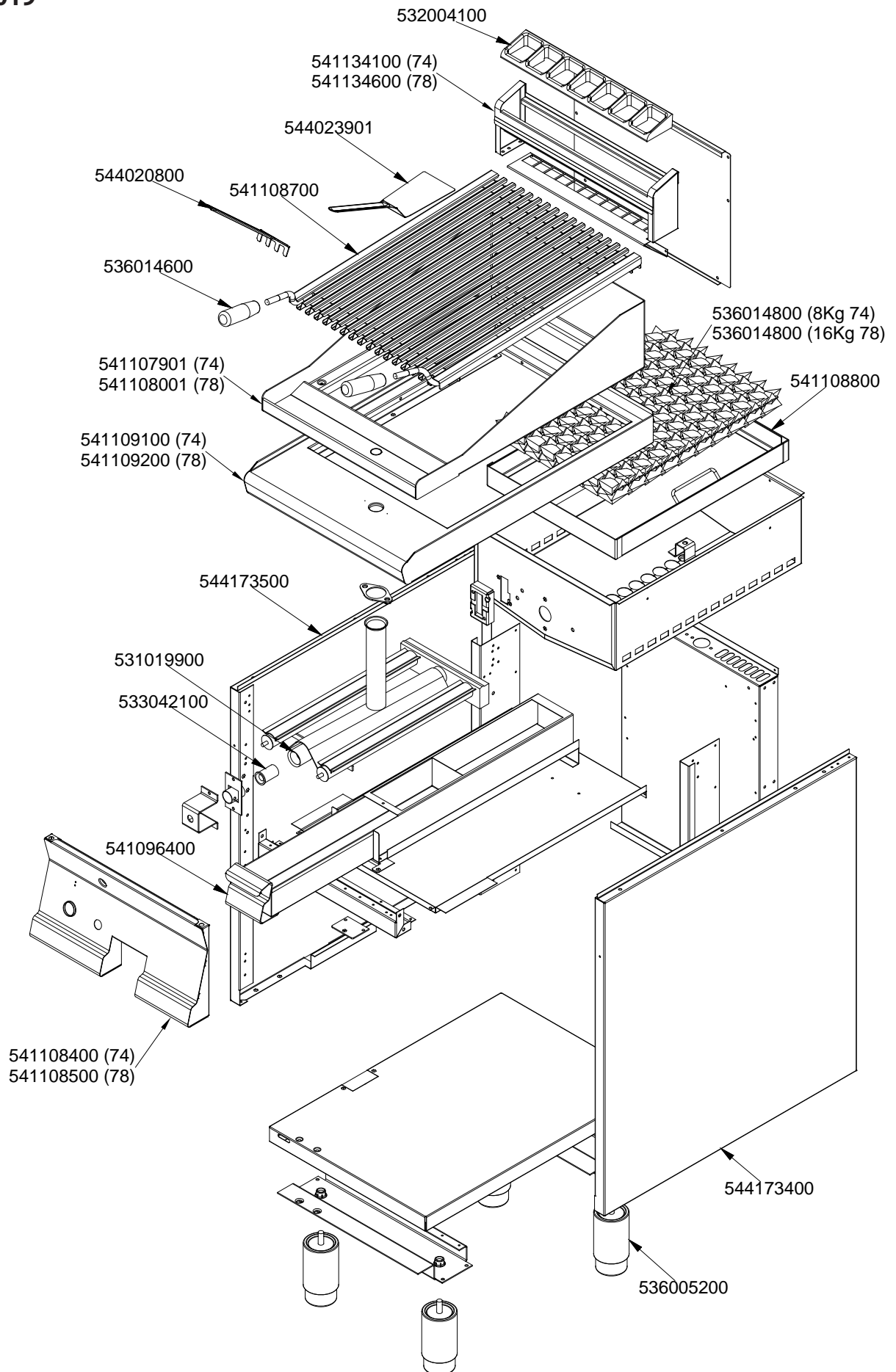
560125700M00P00



Objednačí kód	Popis v ENG
536042300	SILVER CHROM. RING FOR KNOB Ø77 4 P
536042100	SEAL CASING FOR KNOB Ø77 4 P
533162700	PROCESSING CODE

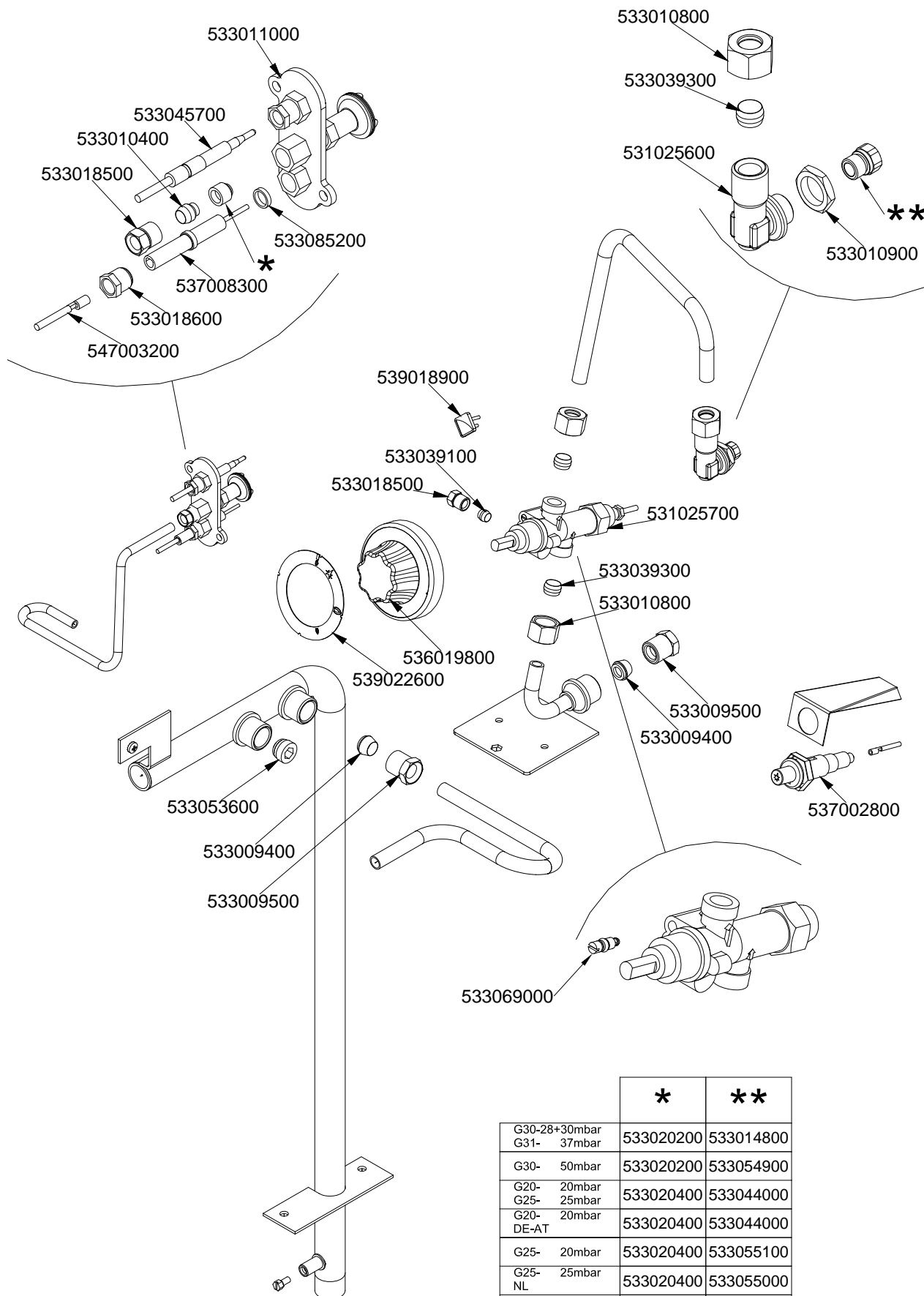


**CW - 74 G, CW - 78 G**  
**Platný od 1.5.2016**  
**do 30.4.2019**





**CW - 74 G, CW - 78 G**  
**Platný od 1.5.2016**  
**do 30.4.2019**



	*	**
G30-28+30mbar G31- 37mbar	533020200	533014800
G30- 50mbar	533020200	533054900
G20- 20mbar G25- 25mbar	533020400	533044000
G20- 20mbar DE-AT	533020400	533044000
G25- 20mbar	533020400	533055100
G25- 25mbar NL	533020400	533055000
G20- 25mbar UNGHERIA	533020400	533043100