

Technical data sheet

Product features



Cooking range gas 6x burner on open cabinet

Model

SAP Code

00002943



- Device type: Gas unit
- Power consumption of the zone 1 [kW]: 7,5
- Power consumption of the zone 2 [kW]: 7,5
- Power consumption of the zone 3 [kW]: 5,5
- Power consumption of the zone 4 [kW]: 5,5
- Power consumption of the zone 5 [kW]: 5,5
- Power consumption of the zone 6 [kW]: 3,5
- Ignition: Eternal flame
- Protection of controls: IPX5
- Material: Stainless steel

SAP Code	00002943	Number of zones	6
Net Width [mm]	1200	Power consumption of the zone 1 [kW]	7,5
Net Depth [mm]	705	Power consumption of the zone 2 [kW]	7,5
Net Height [mm]	900	Power consumption of the zone 3 [kW]	5,5
Net Weight [kg]	109.00	Power consumption of the zone 4 [kW]	5,5
Power gas [kW]	35.000	Power consumption of the zone 5 [kW]	5,5
Type of gas	Natural gas, propane butane	Power consumption of the zone 6 [kW]	3,5

Technical data sheet

Technical drawing

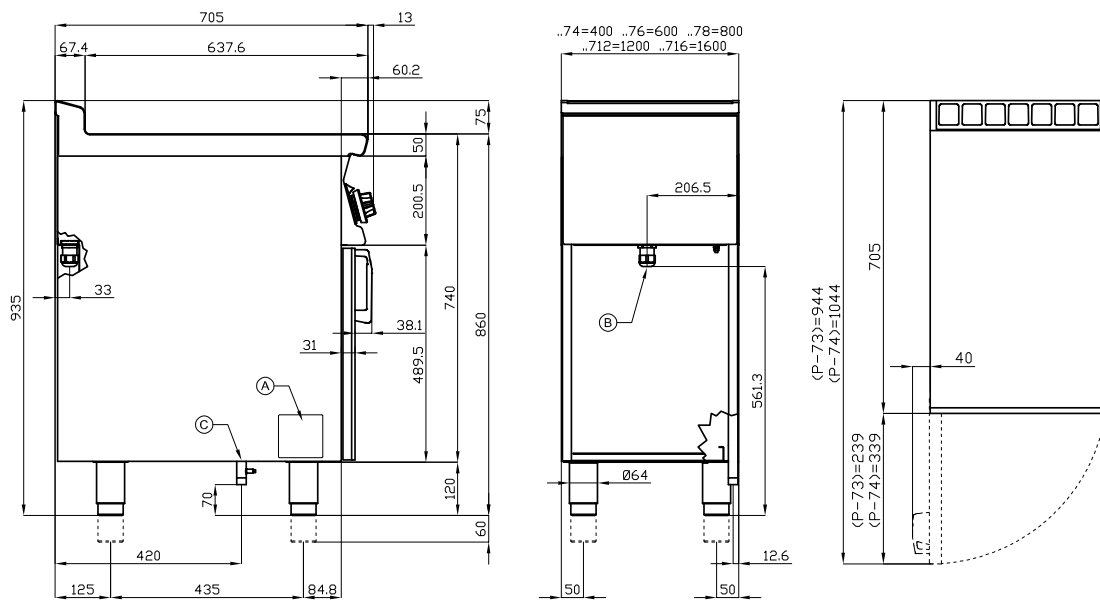


Cooking range gas 6x burner on open cabinet

Model

SAP Code

00002943



A	Data plate		C	Gas connection	ISO 7-1 3/4" M
---	------------	--	---	----------------	----------------

Technical data sheet

Product benefits



Cooking range gas 6x burner on open cabinet

Model

SAP Code

00002943

1

Massive construction of burners

high performance and efficiency
cast iron burners removable
long life

- energy saving (perfect combustion)
- time saving for food preparation
- easy maintenance/cleaning

2

Hygienic moldings of the top plate

absence of sharp corners and edges (potential places where dirt could stick)
smooth transitions

- easy quick cleaning

3

Degree of protection of the control elements IPX5

maintenance-free system
resistance to splash water
long life

- savings on service interventions
- easy cleaning and maintenance of equipment

4

All-stainless design

the material does not cut
wear resistance of the material
long life

- savings on service interventions
- easy cleaning and maintenance of equipment

5

Safety element - thermocouple

safe operation for personnel
there is no overheating and damage to the thallus
long life

- savings on service interventions
- easier and faster operation

Technical data sheet

Technical parameters



Cooking range gas 6x burner on open cabinet

Model

SAP Code

00002943

1. SAP Code:

00002943

2. Net Width [mm]:

1200

3. Net Depth [mm]:

705

4. Net Height [mm]:

900

5. Net Weight [kg]:

109.00

6. Gross Width [mm]:

1230

7. Gross depth [mm]:

770

8. Gross Height [mm]:

1110

9. Gross Weight [kg]:

126.00

10. Device type:

Gas unit

11. Construction type of device:

With substructure

12. Power gas [kW]:

35.000

13. Ignition:

Eternal flame

14. Type of gas:

Natural gas, propane butane

15. Protection of controls:

IPX5

16. Material:

Stainless steel

17. Worktop type:

Molded - comfortable cleaning maintenance

18. Worktop material:

AISI 304

19. Worktop Thickness [mm]:

2.00

20. Number of zones:

6

21. Power consumption of the zone 1 [kW]:

7,5

22. Power consumption of the zone 2 [kW]:

7,5

23. Power consumption of the zone 3 [kW]:

5,5

24. Power consumption of the zone 4 [kW]:

5,5

25. Power consumption of the zone 5 [kW]:

5,5

26. Power consumption of the zone 6 [kW]:

3,5

27. Number of power control stages:

6

28. Service accessibility:

From the front by removing the front panel and waste fluid containers

Technical data sheet

Technical parameters



Cooking range gas 6x burner on open cabinet

Model

SAP Code

00002943

29. Safety element:

thermocouple safety feature

30. Safety thermocouple:

Yes

31. Adjustable feet:

Yes

32. Additional information:

door not included - can be purchased

33. Number of burners/hot plates:

6

34. Type of gas cooking zones:

Classic

35. Burner type:

Cast iron, detachable, with internal and external combustion