

Technical data sheet

Product features



Cooking range gas with static gas oven GN 2/1 - 6x burner

Model	SAP Code	00000319
--------------	-----------------	----------



- Device type: Gas unit
- Power consumption of the zone 1 [kW]: 7,5
- Power consumption of the zone 2 [kW]: 7,5
- Power consumption of the zone 3 [kW]: 5,5
- Power consumption of the zone 4 [kW]: 5,5
- Power consumption of the zone 5 [kW]: 5,5
- Power consumption of the zone 6 [kW]: 3,5
- Ignition: Eternal flame
- Type of internal part of the appliance 1 (eg oven): Gas
- Type of internal part of the appliance 2 (eg oven): Static
- Protection of controls: IPX5
- Material: Stainless steel

SAP Code	00000319	Power consumption of the zone 3 [kW]	5,5
Net Width [mm]	1200	Power consumption of the zone 4 [kW]	5,5
Net Depth [mm]	705	Power consumption of the zone 5 [kW]	5,5
Net Height [mm]	900	Power consumption of the zone 6 [kW]	3,5
Net Weight [kg]	161.00	Type of internal part of the appliance 1 (eg oven)	Gas
Power gas [kW]	42.300	Type of internal part of the appliance 2 (eg oven)	Static
Type of gas	Natural gas, propane butane	Width of internal part [mm]	670
Number of zones	6	Depth of internal part [mm]	550
Power consumption of the zone 1 [kW]	7,5	Height of internal part [mm]	340
Power consumption of the zone 2 [kW]	7,5		

Technical data sheet

Technical drawing

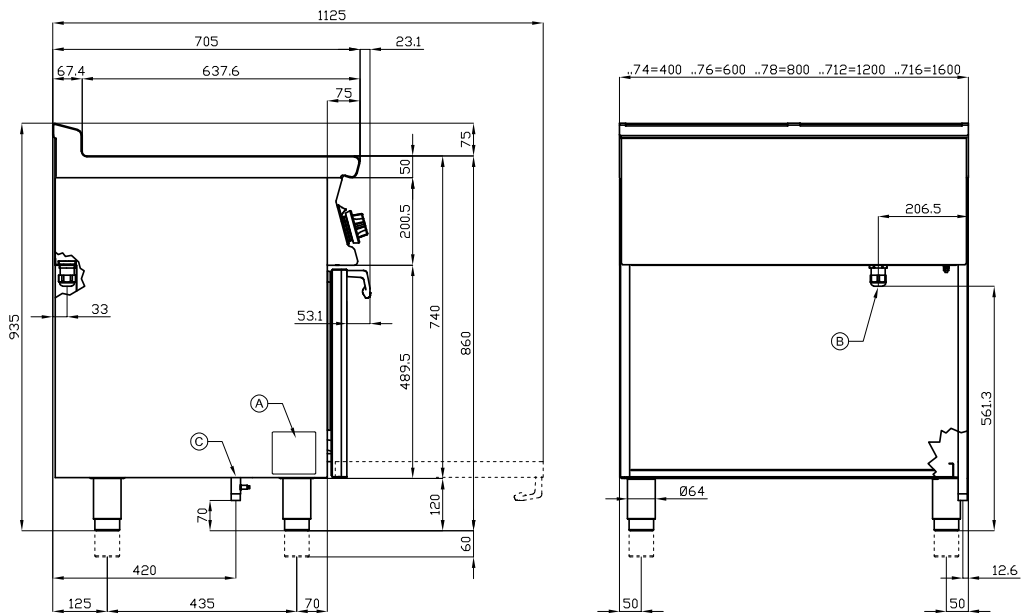


Cooking range gas with static gas oven GN 2/1 - 6x burner

Model

SAP Code

00000319



A	Data plate		C	Gas connection	ISO 7-1 3/4" M
---	------------	--	---	----------------	----------------

Technical data sheet

Product benefits



Cooking range gas with static gas oven GN 2/1 - 6x burner

Model

SAP Code

00000319

1

Massive construction of burners

- high performance and efficiency
- brass burners removable
- eternal flame
- long life
- demountable
 - energy saving (perfect combustion)
 - time saving for food preparation
 - easy maintenance/cleaning

2

Hygienic moldings of the top plate

- absence of sharp corners and edges (potential places where dirt could stick)
- smooth transitions
 - 0

3

Large oven with four rack positions with static cooking

- static baking
- high capacity and variability
- all-stainless design
 - suitable for yeast dishes and desserts
 - long service life
 - easy to clean

4

Degree of protection of the control elements IPX5

- maintenance-free system
- resistance to splash water
- long life
 - savings on service interventions
 - easy cleaning and maintenance of equipment

5

All-stainless steel construction

- the material does not cut
- wear resistance of the material
- long life
 - savings on service interventions
 - easy cleaning and maintenance of equipment

6

Safety element – thermocouple

- safe service for staff
- there is no unnecessary gas leakage
- long life
 - savings on service interventions
 - easier and faster operation

7

Piezoelectric ignition

- instant flame ignition
- there is no unnecessary gas leakage
- long life
 - savings on service interventions
 - easier and faster operation

Technical data sheet

Technical parameters



Cooking range gas with static gas oven GN 2/1 - 6x burner

Model

SAP Code

00000319

1. SAP Code:

00000319

2. Net Width [mm]:

1200

3. Net Depth [mm]:

705

4. Net Height [mm]:

900

5. Net Weight [kg]:

161.00

6. Gross Width [mm]:

1230

7. Gross depth [mm]:

770

8. Gross Height [mm]:

1110

9. Gross Weight [kg]:

178.00

10. Device type:

Gas unit

11. Construction type of device:

With substructure

12. Power gas [kW]:

42.300

13. Ignition:

Eternal flame

14. Type of gas:

Natural gas, propane butane

15. Protection of controls:

IPX5

16. Material:

Stainless steel

17. Worktop type:

Molded - comfortable cleaning maintenance

18. Worktop material:

AISI 304

19. Worktop Thickness [mm]:

2.00

20. Number of zones:

6

21. Power consumption of the zone 1 [kW]:

7,5

22. Power consumption of the zone 2 [kW]:

7,5

23. Power consumption of the zone 3 [kW]:

5,5

24. Power consumption of the zone 4 [kW]:

5,5

25. Power consumption of the zone 5 [kW]:

5,5

26. Power consumption of the zone 6 [kW]:

3,5

27. Number of power control stages:

6

28. Service accessibility:

From the front by removing the front panel and waste fluid containers

Technical data sheet

Technical parameters



Cooking range gas with static gas oven GN 2/1 - 6x burner

Model

SAP Code

00000319

29. Safety element:

thermocouple safety feature
safety thermostat 360 °C

30. Safety thermocouple:

Yes

31. Safety thermostat:

Yes

32. Safety thermostat up to x ° C:

360

33. Adjustable feet:

Yes

34. Additional information:

cabinet with door

35. Number of burners/hot plates:

6

36. Type of gas cooking zones:

Classic

37. Burner type:

Cast iron, detachable, with internal and
external combustion

38. Oven Type:

gas static

39. Oven size:

GN 2/1

40. Oven material:

Stainless steel

41. Type of internal part of the appliance 1 (eg oven):

Gas

42. Type of internal part of the appliance 2 (eg oven):

Static

43. Width of internal part [mm]:

670

44. Depth of internal part [mm]:

550

45. Height of internal part [mm]:

340

46. Maximum temperature of the inner chamber [°C]:

300

47. Minimum temperature of the inner chamber [°C]:

150

48. Inner ignition:

Piezoelectric

49. Number of internal parts:

4